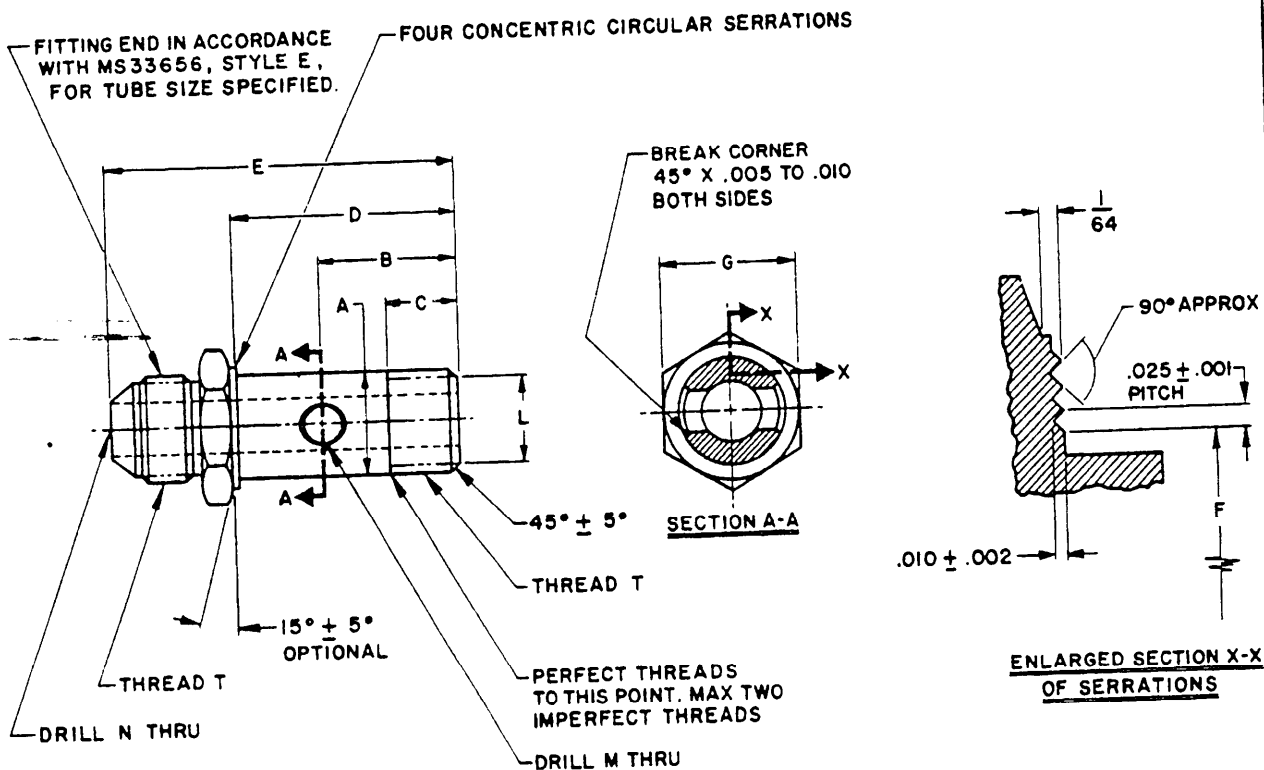


FED. SUP CLASS
 4730



(a) TOLERANCES ON DIMENSIONS G AND N IN ACCORDANCE WITH MS33656, STYLE E.

CONCENTRICITY: T, A, F, AND N SHALL BE CONCENTRIC WITHIN .005 FULL INDICATOR READING.

MATERIAL: STEEL - BARS, SHAPES, OR FORGINGS. 125,000 LB PER SQUARE INCH TENSILE STRENGTH MINIMUM.
 CORROSION RESISTANT STEEL - BARS, SHAPES OR FORGINGS.
 TITANIUM ALLOY - BARS, SHAPES OR FORGINGS.
 ALUMINUM ALLOY - BARS, SHAPES OR FORGINGS.
 SEE PROCUREMENT SPECIFICATION.

FINISH: SEE PROCUREMENT SPECIFICATION.

NO CODE LETTER IN PART NUMBER FOR STEEL.
 ADD D IN PLACE OF DASH FOR ALUMINUM ALLOY (EXCEPT 7075-T73).
 ADD J IN PLACE OF DASH FOR CORROSION RESISTANT STEEL, TYPE 304.
 ADD K IN PLACE OF DASH FOR CORROSION RESISTANT STEEL, TYPE 316.
 ADD S IN PLACE OF DASH FOR CORROSION RESISTANT STEEL, TYPE 347.
 ADD T IN PLACE OF DASH FOR TITANIUM ALLOY.
 ADD W IN PLACE OF DASH FOR 7075-T73 ALUMINUM ALLOY.

TITANIUM NOT TO BE USED IN OXYGEN SYSTEMS.

EXAMPLE OF PART NUMBERS:
 AN774-8 - BOLT, 1/2 TUBING, STEEL.
 AN774D8 - BOLT, 1/2 TUBING, ALUMINUM ALLOY (EXCEPT 7075-T73).
 AN774J8 - BOLT, 1/2 TUBING, CORROSION RESISTANT STEEL, TYPE 304.
 AN774K8 - BOLT, 1/2 TUBING, CORROSION RESISTANT STEEL, TYPE 316.
 AN774S8 - BOLT, 1/2 TUBING, CORROSION RESISTANT STEEL, TYPE 347.
 AN774T8 - BOLT, 1/2 TUBING, TITANIUM ALLOY.
 AN774W8 - BOLT, 1/2 TUBING, 7075-T73 ALUMINUM ALLOY.

BREAK ALL SHARP EDGES AND REMOVE ALL HANGING BURRS AND SLIVERS WHICH MIGHT BECOME DISLODGED UNDER USAGE.

DIMENSIONS IN INCHES. UNLESS OTHERWISE SPECIFIED, TOLERANCES: FRACTIONS $\pm 1/64$, DECIMALS $\pm .005$, ANGLES $\pm 1/2^\circ$.

7 ENTIRE STANDARD REVISED

P. A. AIR FORCE -82 Other Cust ARMY - AV NAVY - AS AIR FORCE 99 PROCUREMENT SPECIFICATION MIL - F - 5509	INTERNATIONAL INTEREST	AIR FORCE-NAVY AERONAUTICAL STANDARD	AN774
		BOLT - FLARED TUBE FITTING END UNIVERSAL	

DD FORM 672-1 (COORDINATED)
 MAY 73

PREVIOUS EDITIONS OF THIS FORM ARE OBSOLETE

PROJECT 4730-0474

USER ACTIVITIES

REVIEWER ACTIVITIES DLA-CS

This military standard is approved for use by all Departments and Agencies of the Department of Defense. Selection for all new engineering and design applications and for repetitive use shall be made from this document.

APPROVED 29 DEC 44 REVISED 6 16 APRIL 82 7 4 Aug 83

FED. SUP CLASS
4730

DASH NO.	TUBING OD	THREAD T (REF)	A +.000 -.004 DIA	B ±.010	C
AN774-4	1/4	7/16-20UNJF-3A	.435	.781	7/16
AN774-5	5/16	1/2 -20UNJF-3A	.498	.781	7/16
AN774-6	3/8	9/16-18UNJF-3A	.560	.875	15/32
AN774-8	1/2	3/4 -16UNJF-3A	.748	1.094	9/16
AN774-10	5/8	7/8 -14UNJF-3A	.873	1.250	19/32
AN774-12	3/4	1-1/16-12UNJ 3A	1.060	1.468	21/32
AN774-16	1	1-5/16-12UNJ -3A	1.310	1.687	21/32

DASH NO.	D	E	F +.010 -.000 DIA	(a) G REF	L DIA	M DIA	(a) N REF
AN774-4	1- 3/16	1-59/64	.469	.688	11/32	3/16	.172
AN774-5	1- 3/16	1-59/64	.531	.750	13/32	7/32	.234
AN774-6	1-11/32	2- 1/8	.594	.813	15/32	1/4	.297
AN774-8	1-11/16	2-19/32	.781	1.000	5/8	5/16	.391
AN774-10	1-31/32	3	.906	1.125	3/4	3/8	.484
AN774-12	2- 5/16	3-31/64	1.094	1.375	15/16	7/16	.609
AN774-16	2-13/16	4- 3/32	1.344	1.625	1- 3/16	5/8	.844

USER ACTIVITIES

REVIEWER ACTIVITIES DLA-CS

This military standard is approved for use by all Departments and Agencies of the Department of Defense
 Selection for all new engineering and design applications and for repetitive use shall be made from this document

APPROVED 29 DEC 44
 REVISED 7 FOR CHANGES SEE PAGES 1 & 2.

7 ENTIRE STANDARD REVISED

P. A. AIR FORCE -B2 Other Cust ARMY - AV NAVY - AS AIR FORCE 99	INTERNATIONAL INTEREST	AIR FORCE-NAVY AERONAUTICAL STANDARD	AN774
		BOLT - FLARED TUBE FITTING END UNIVERSAL	
PROCUREMENT SPECIFICATION MIL - F - 5509	SUPERSEDES:	SHEET 2 OF 2	