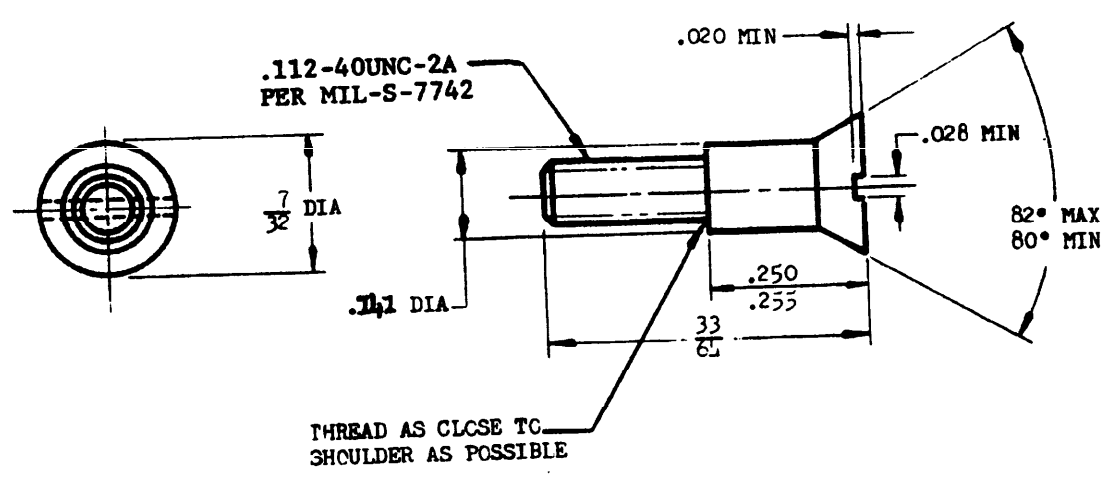


NAVARS 1488C

FSC 5306

NOTICE: When Government drawings, specifications, or other data are used for any purpose other than in connection with a contract with the Government, the Government's name and the drawing or specification number shall be prominently displayed thereon. The Government's name and the drawing or specification number shall also be prominently displayed on any reproduction of such drawings, specifications, or other data. The Government's name and the drawing or specification number shall also be prominently displayed on any reproduction of such drawings, specifications, or other data.

NOTE: This drawing was approved by joint action of the Air Force and Navy Departments as a standard drawing for the design and production of aircraft. The drawing is the property of the Air Force and Navy Departments and shall be returned to the issuing office if it is found to be in any way deficient after the latest date of approval shown.



AN PART NO.
AN555-1

MATERIAL: STEEL, 62,000 PSI MINIMUM TENSILE STRENGTH.

FINISH: CADMIUM PLATING PER QQ-P-416, TYPE II, CLASS 2. PARTS WITH CLASS 3 PLATING MAY BE FURNISHED FROM SUPPLIER'S STOCK UNTIL 1 JANUARY 1975.

DIMENSIONS IN INCHES. UNLESS OTHERWISE SPECIFIED, TOLERANCES:
FRACTIONS $\pm 1/64$, DECIMALS $\pm .005$.

(5) CANCELLED AFTER 6 APR 90. NO SUPERSEDING STD.

(5) DENOTES CHANGE

PREP - AS

PROCUREMENT SPECIFICATION NONE

AIR FORCE-NAVY AERONAUTICAL STANDARD

BOLT - SHOULDER, ANCHOR LIGHT MOUNTING

AN555

APPROVED 24 Oct 42 (1) 4 Oct 50 (2) 21 Jun 66 (3) 29 DEC 72 (4) 5 OCT 82 (5) 6 APR 90

REVISED