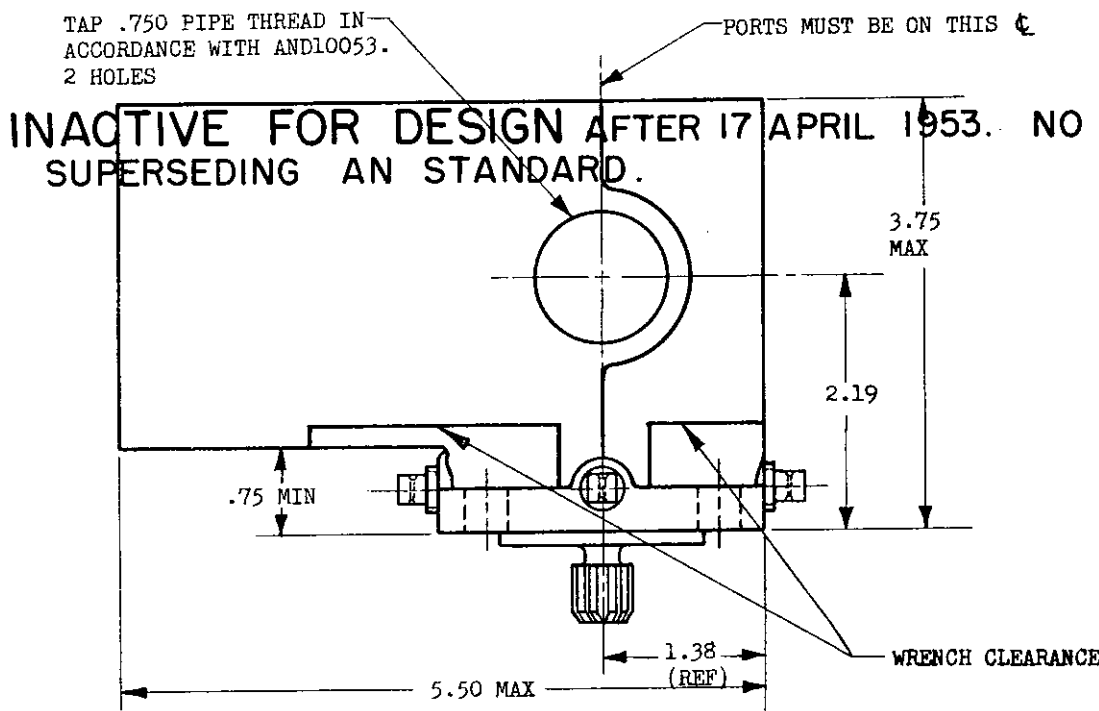
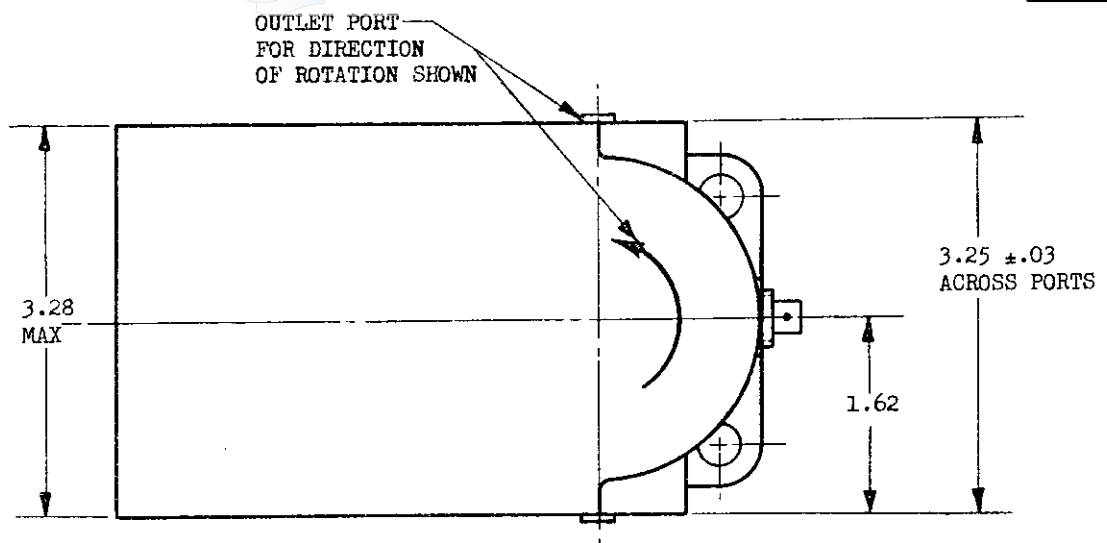


NOTE: This drawing is for the same product and shall become effective for the procurement of aeronautical drawings, or for use in new design, not later than six months after the latest date of approval shown. It may be put into effect, however, at an earlier date after promulgation.

NOTE: This drawing is for the same product and shall become effective for the procurement of aeronautical drawings, or for use in new design, not later than six months after the latest date of approval shown. It may be put into effect, however, at an earlier date after promulgation.



④ CANCELED AFTER 9 AUGUST 1965. USE MS29586.

AN PART NO
(a) AN4101-1

FOR DEFINITION AND APPLICATION OF DRAWING STATUS NOTE SEE ANA BULLETIN NO. 337
 (a) PREVIOUS PART NO. AN4101 INACTIVE FOR NEW DESIGN.

DIMENSIONS IN INCHES. UNLESS OTHERWISE SPECIFIED, TOLERANCE ON TWO PLACE DECIMALS ±.02, THREE PLACE DECIMALS ±.010.

THIS DRAWING AND THE SPECIFICATION COMPLEMENT ONE ANOTHER, AND, TOGETHER COMPLETELY DEFINE THIS PRODUCT.

PROCUREMENT SPECIFICATION AN-P-56	ARMY-NAVY AERONAUTICAL STANDARD	AN4101
	PUMP - 400 G.P.H. POWER DRIVEN FUEL	

APPROVED 24 Sep 41 REVISED ① 13 March 44 ② 29 Jun 45 ③ 17 Apr 53 ④ 9 Aug 65