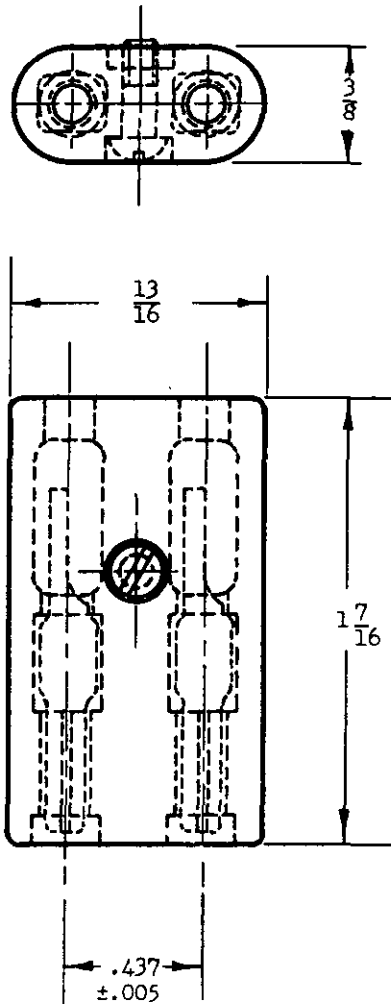


NOTICE: When Government drawings, specifications, or other data are used for any purpose other than in connection with a definitely related Government procurement operation, the United States Government and its agencies are authorized to reproduce and distribute reprints for Government purposes, not withstanding any copyright notation that may appear hereon. The fact that the Government may have formulated, furnished, or in any way supplied the said drawings, specifications, or other data is not to be regarded as an implied or otherwise as in any manner licensing the holder or any other person or corporation, or conveying any rights or permission to manufacture, use, or sell any patented invention that may in any way be related thereto.

NOTE: This drawing was approved by joint action of the War and Navy Departments as the Army-Navy standard for this product. This drawing supersedes all antecedent standard drawings for the same product and shall become effective for the procurement of aeronautical supplies on the date shown, not later than six months after the latest date of approval shown. It may be put into effect, however, at an earlier date after promulgation.



AN PART NO
AN3115-1

THIS DRAWING IS FOR REFERENCE AND STOCK PURPOSE ONLY. MANUFACTURING DETAILS SHALL BE IN ACCORDANCE WITH AN AERONAUTICAL STANDARD ISSUE OF AIR CORPS DRAWING 39A3637.

PROCUREMENT SPECIFICATION NONE	ARMY-NAVY AERONAUTICAL STANDARD	AN 3115
	RECEPTACLE -AIRSPEED TUBE ELECTRICAL	

APPROVED 2 Dec 41 REVISED