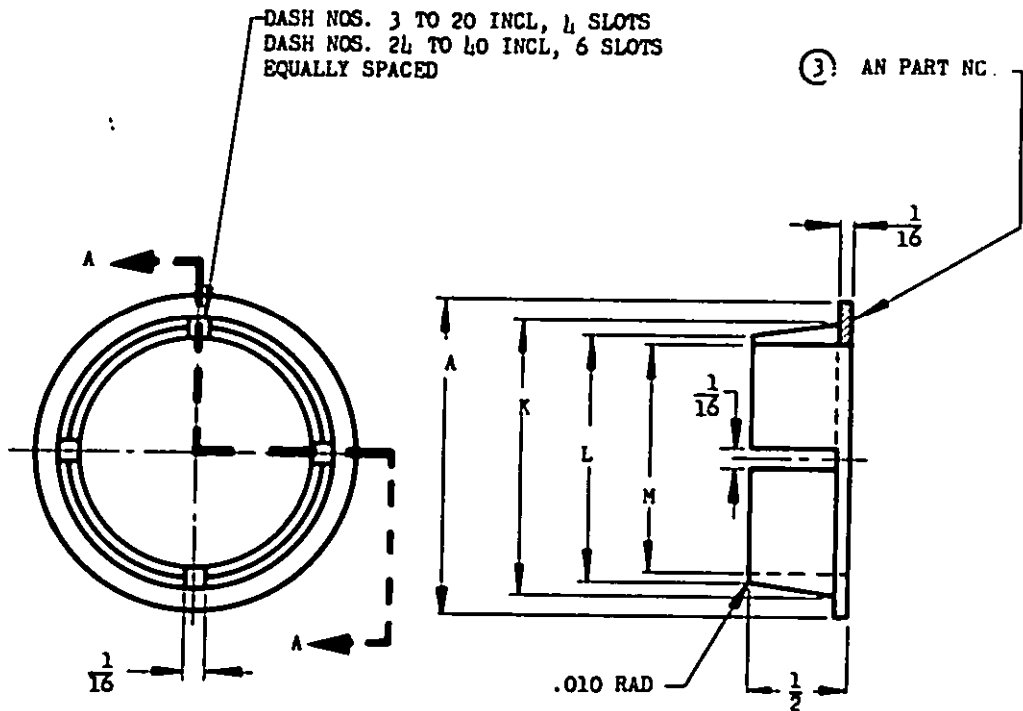


NOTE:—When Government drawings, specifications, or other data are used for any purpose other than in connection with a definitely related Government procurement operation, the use of such data does not constitute an acknowledgment of responsibility for any way in which they may be used, and the Government may have furnished, furnished, or in any way authorized, or otherwise as in any manner increasing the liability of any other person or corporation, or conveying any rights or permission to manufacture, use, or sell any patented invention that may in any way be related thereto.

This drawing is approved by joint action of the Air Force and Navy Departments as the Air Force standard for this product. This drawing represents an independent standard and is not to be used in any design, but may be used in the procurement of approximate supplies, or for other purposes, after the latest date of approval shown.



SECTION A-A

AN PART NO.	CONDUIT SIZE	A DIA	K DIA	L DIA	M DIA
AN3053-3	3/16	.448	.332	.219	.198
AN3053-4	1/4	.566	.394	.281	.260
AN3053-6	3/8	.682	.519	.406	.385
AN3053-8	1/2	.807	.669	.556	.510
AN3053-10	5/8	.932	.794	.681	.635
AN3053-12	3/4	1.105	.929	.816	.760
AN3053-16	1	1.355	1.214	1.101	1.010
AN3053-20	1-1/4	1.668	1.469	1.356	1.261
AN3053-24	1-1/2	1.918	1.724	1.611	1.511
AN3053-28	1-3/4	2.160	1.976	1.863	1.761
AN3053-32	2	2.410	2.229	2.116	2.011
AN3053-40	2-1/2	2.910	2.744	2.631	2.512

MATERIAL: ALUMINUM, SPECIFICATION QQ-A-411, WW-T-783, OR QQ-A-591.

EXAMPLE OF PART NO.: AN3053-4 = FERRULE FOR 1/4 OD CONDUIT.

REMOVE ALL BURRS AND SHARP EDGES.

DIMENSIONS IN INCHES. UNLESS OTHERWISE SPECIFIED, TOLERANCES: FRACTIONS ±1/64, DECIMALS ±.005.

PROCUREMENT SPECIFICATION NONE	AIR FORCE-NAVY AERONAUTICAL STANDARD	AN3053
	FERRULE - RIGID CONDUIT	

APPROVED 2 Feb 40 REVISED 1 8 Dec 41 2 2 Apr 47 3 13 May 52