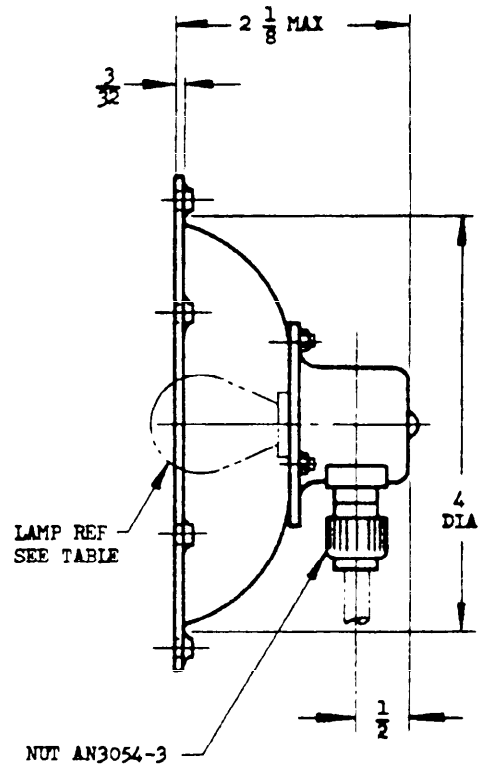
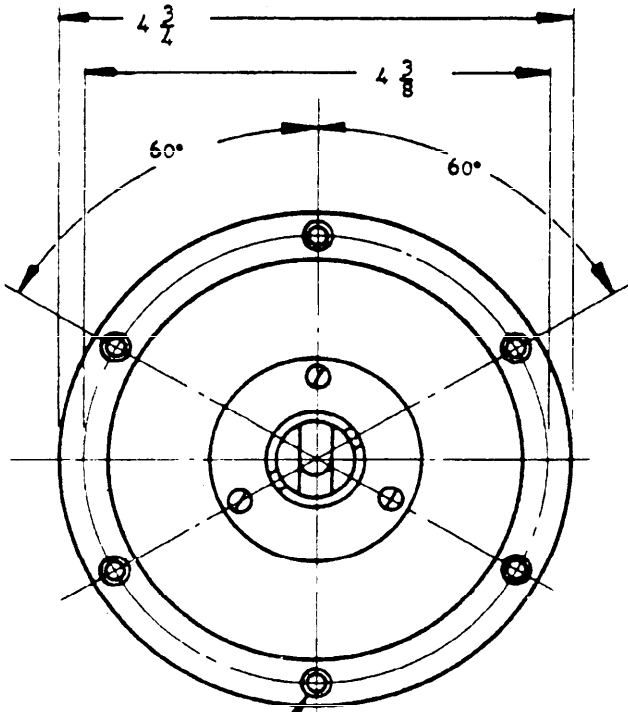


NAVAER 6000C

FSC
6220

NOTICE - When Government drawings, specifications, or other data are used for any purpose other than in connection with a definitely related Government procurement operation, the Government's name and identification shall be stated on the drawings, specifications, or other data to be furnished by the contractor or other person in any manner becoming the holder or any other person or corporation, or conveying any rights or permission to manufacture, use, or sell any patented invention that is in any way be related thereto.



5/32 DIA
CSINK 100° FOR
NO. 6 SCREW
6 MOUNTING
HOLES

LAMP REF
SEE TABLE

NUT AN3054-3

AN ASSEMBLY PART NO.	LAMP REF	
	AN PART NO.	VOLTAGE
AN3049-1	AN3124SB1141	13
	AN3124SB307	28
	AN3133R311	28

WEIGHT: .16 LB MAX.

PART NUMBER SPECIFIED IS FOR LIGHT ASSEMBLY WITHOUT LAMP. IF SHIPMENT WITH LAMP INSTALLED IS DESIRED, THE PART NUMBER OF THE LAMP SHOULD BE SPECIFIED.

DIMENSIONS IN INCHES. DIMENSIONS ARE FOR REFERENCE ONLY.

THIS DRAWING IS FOR REFERENCE AND STOCK PURPOSES ONLY. FOR MANUFACTURING DETAILS SEE AN AERO STD ISSUE OF DRAWING NAF 311907.

Ⓢ INACTIVE FOR DESIGN AFTER 3 JANUARY 1967.
 NO SUPERSEDING STANDARD.

NOTE - This drawing was prepared by joint action of the Air Force and Navy Department as a result of the agreement between the two departments for the procurement of aeronautical supplies. Drawings for the same product shall become effective for the procurement of aeronautical supplies as far as in new design, and later than as modified after the latest date of approval shown.

PROCUREMENT
SPECIFICATION
MIL-L-6723

AIR FORCE-NAVY AERONAUTICAL STANDARD

LIGHT ASSEMBLY - OPEN CABIN DOME

AN3049

APPROVED 5 Nov 45 REVISED 1 19 Aug 53 2 3 Jan 67