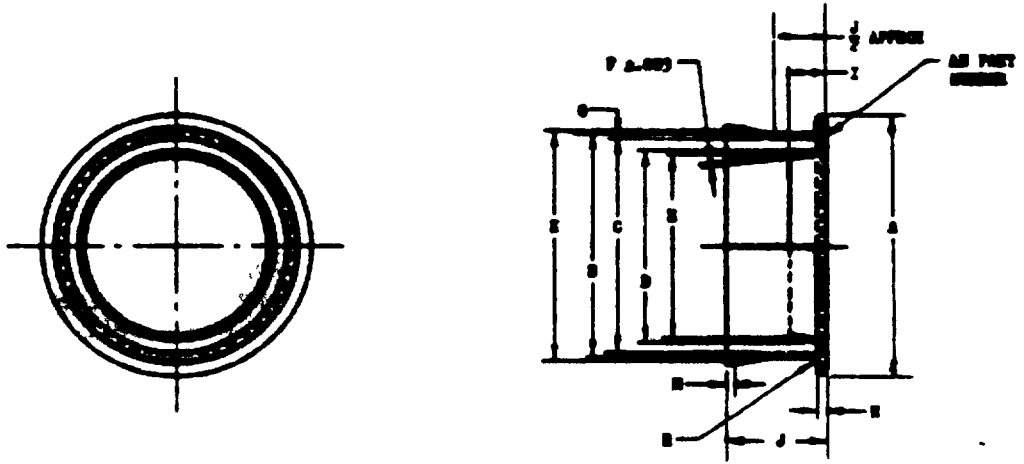


1. When Government drawings, specifications, or other data are used for any purpose other than in connection with a specific contract operation, the drawing or specification shall be used as is, without modification, and the user shall assume all liability for any use of the drawing or specification for any purpose other than that intended by the Government. The Government shall not be responsible for any use of the drawing or specification for any purpose other than that intended by the Government.

2. This drawing was approved by field offices of the Air Force and Navy Departments as the Air Force and Navy standard for this product. The drawing represents an approved standard drawing for the Air Force and Navy. It is not to be used for the procurement of commercial equipment, or for use in any design, and may differ from the latest data of approved drawings.



AIR PART NO.	(a) CONDUIT SIZE	A DIA	B DIA	C DIA	D DIA	E DIA	F	G	H	I	J	K ".015 -.020 DIA	L APPROX	M DIA
AN3048-16	1	1.666	1.267	1.277	1.000	15/16	.027	.080	.060	5/16	5/8	1.370	1/16	.070
AN3048-20	1-1/4	1.918	1.527	1.602	1.250	1-3/16	.027	.080	.080	5/16	5/8	1.605	1/16	.070
AN3048-24	1-1/2	2.160	1.777	1.737	1.500	1-7/16	.027	.080	.080	5/16	3/4	1.870	1/16	.070
AN3048-26	1-3/4	2.410	2.029	1.909	1.750	1-11/16	.027	.080	.080	5/16	7/8	2.125	1/16	.070
AN3048-32	2	2.910	2.282	2.262	2.000	1-15/16	.027	.080	.080	5/16	1	2.383	1/16	.070

(a) USE AN3051 FERRULES FOR SYNTHETIC COVERED FLEXIBLE CONDUIT SIZES 3/16 TO 1/2 INCLUSIVE.

(b) MATERIAL ALUMINUM, SPECIFICATION QQ-A-561, TEMPER O OR SPECIFICATION QQ-A-359, TEMPER O.  
 DIMENSIONS IN INCHES UNLESS OTHERWISE SPECIFIED, TOLERANCES: FRACTIONS ±1/64, DECIMALS ±.005.

PROLIFERATION SPECIFICATION  NONE	AIR FORCE-NAVY AERONAUTICAL STANDARD	<b>AN3048</b>
	FERRULE - CONDUIT, FLEXIBLE, ONE STEP, SYNTHETIC COVERED	

APPROVED 31 Dec 41 REVERSED 19 Dec 45 11 Aug 47 13 May 52 8 Oct 53