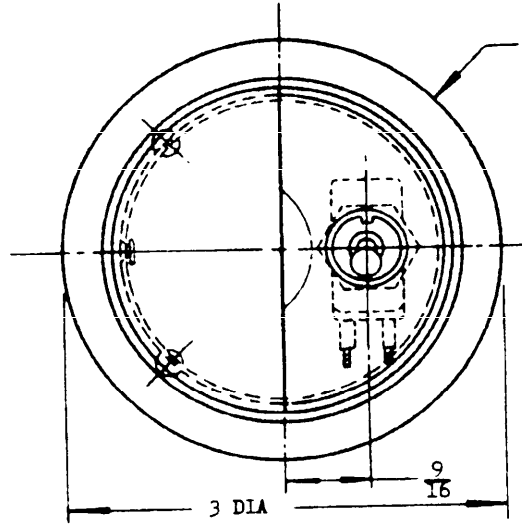


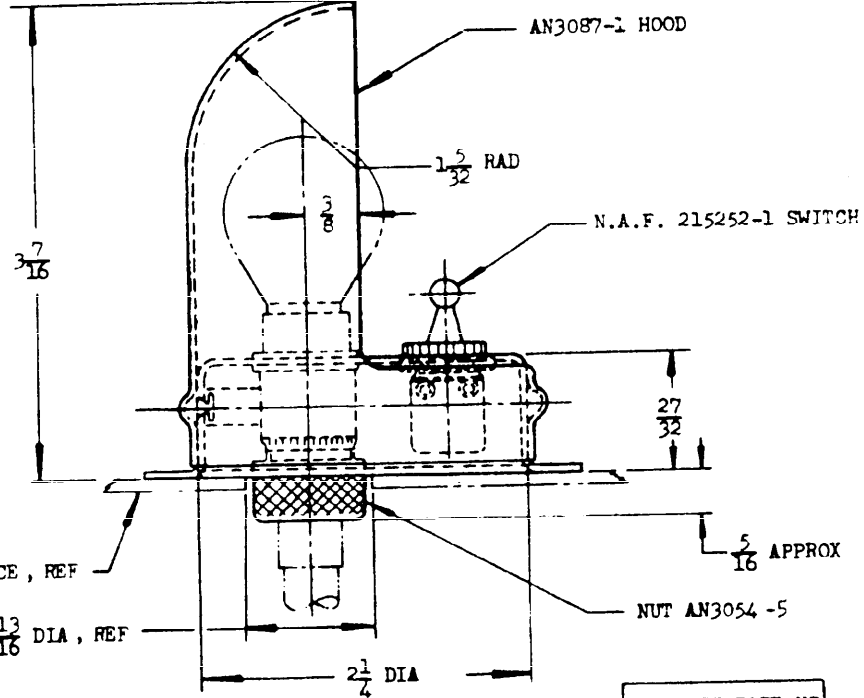
NAVAFN 3036

NOTICE—When Government drawings, specifications, or other data are used for any purpose other than in connection with a definitely related Government procurement operation, the United States Government assumes no responsibility for any infringement, and the fact that the Government may have furnished the said drawings, specifications, or other data is not to be regarded as implying any approval of the use thereof, or any liability on the part of the Government in connection with the use thereof, or will any patent infringement that may in any way be related thereto.

NOTE—This drawing was approved by joint action of the Air Force and Navy Department as the Air Force Navy standard for the production of all aircraft standard drawings for the same product, effective for the procurement of aeronautical supplies, or for use as new design, and later than six months after the latest date of approval shown.



FSC
6220



AR ASSY PART NO
AN3036-1

④ **INACTIVE FOR DESIGN AFTER 3 JANUARY 1967.**

WEIGHT (EST) .20 LB. **NO SUPERSEDING STANDARD**

LIGHT ASSEMBLY IS COMPLETE WITH HOOD.
 DIMENSIONS IN INCHES. UNLESS OTHERWISE SPECIFIED, TOLERANCES: FRACTIONS ±1/64.

THIS DRAWING IS FOR REFERENCE AND STOCK PURPOSES, FOR MANUFACTURING DETAILS, SEE DRAWING N.A.F. 311240.

PROCUREMENT
SPECIFICATION
MIL-L-6723

AIR FORCE-NAVY AERONAUTICAL STANDARD

LIGHT ASSEMBLY, BERTH

AN3036

APPROVED 24 Oct 42
 REVISED ① 21 Mar 44 ② 10 Dec 53 ③ 9 May 55 ④ 3 Jan 67