

FED. SUP CLASS
 5310

USER SYMBOLS
 REVIEWER SYMBOLS
 ARMY - MI
 NAVY - EC
 DLA - IS
 AF - 82

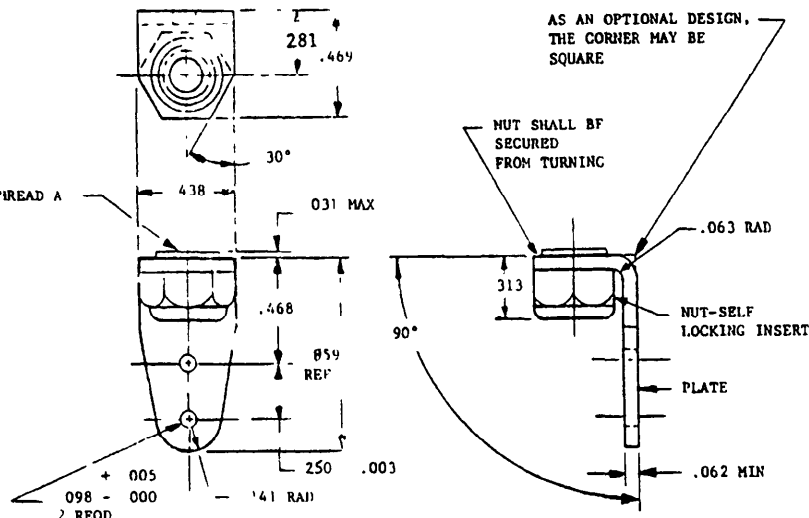


TABLE I PART NUMBERS AND THREAD SIZES

AN PART NO		THREAD A
STEEL	ALUMINUM ALLOY	
AN256P6	AN256-6	.1380-32 UNJC-3B
AN256F8	AN256-8	.1640-32 UNJC-3B
AN256F10	AN256-10	.1900-32 UNJF-3B

REQUIREMENTS.

- MATERIAL PLATE ALUMINUM ALLOY PER QQ-A-250/11
 NUT 2017 ALUMINUM ALLOY, T4 OR T451, PER QQ-A-225/5, OR C1018 STEEL PER ASTM-A-108
 INSERT: NYLON OR EQUIVALENT
- FINISH. ALUMINUM ALLOY - ANODIZE PER MIL-A-8625 TYPE I, CLASS 1
 STEEL - CADMIUM PLATE PER QQ-P-416, TYPE II, CLASS 2
- SURFACE TEXTURE. PER ANSI B46.1 UNLESS OTHERWISE SPECIFIED, THE ROUGHNESS HEIGHT RATING SHALL NOT BE GREATER THAN 125 MICRO INCHES

NOTES:

- DIMENSIONS IN INCHES, UNLESS OTHERWISE SPECIFIED.
- DIMENSIONING AND TOLERANCING IN ACCORDANCE WITH ANSI Y14.5
- UNLESS OTHERWISE SPECIFIED, TOLERANCES SHALL BE DECIMALS ± .015, ANGLES ± 2°
- THREADS SHALL BE IN ACCORDANCE WITH MIL-S-8879.
- REMOVE ALL BURRS AND BREAK SHARP EDGES
- FOR DESIGN AND USAGE LIMITATIONS SEE MS33588.
- WHEN A CLINCH NUT IS USED IN FABRICATING THIS NUT, MEANS IN ADDITION TO THE CLINCH SHALL BE PROVIDED TO PREVENT ROTATIONAL MOVEMENT OF THIS NUT.
- EXAMPLE OF PART NUMBER
 AN 256 F 8 = STEEL NUT WITH .1640-32UNJC 3B THREAD,
 DESIGNATES THREAD SIZE (SEE TABLE I)
 "P" DESIGNATES STEEL NUT WITH ALUMINUM ALLOY PLATE
 "F" DESIGNATES ALUMINUM ALLOY NUT WITH ALUMINUM ALLOY PLATE
 BASIC PART NUMBER
- REFERENCED DOCUMENTS SHALL BE OF THE ISSUE IN EFFECT ON DATE OF INVITATION FOR BIDS, OR REQUEST FOR PROPOSAL EXCEPT THAT REFERENCED AND THE INDUSTRY DOCUMENTS SHALL GIVE THE DATE OF THE ISSUE ADOPTED.
- FOR DESIGN FEATURE PURPOSES, THIS STANDARD TAKES PRECEDENCE OVER PROCUREMENT DOCUMENTS REFERENCED HEREIN.

This military standard is approved for use by all Departments & Agencies of the Department of Defense. Selection for all new engineering and design applications and for repetitive use shall be made from this document.
 "Review/user information is current as of the date of this document. For future coordination of changes to this document draft circulation should be based on the information in the current DODDSS."

5 REVISED AND REDRAWN

PROCUREMENT SPECIFICATION MIL-N-25027	AIR FORCE-NAVY AERONAUTICAL STANDARD . NUT - SELF LOCKING, PLATE, RIGHT ANGLE .250° F	AN256 SHEET 1 OF 1
--	---	------------------------------

APPROVED 2 JAN 48 REVISED 5 24 FEB 83

INCH-POUND

NOTICE
OF VALIDATION

AN256 Rev. 5
NOTICE 1
10 June 1994

MILITARY SPECIFICATION

NUT & SELF LOCKING, RIGHT ANGLE PLATE (SUPERSEDES USAF 35A2939)

AN256 Rev. 5 dated 24-FEB-83 has been reviewed and determined to be valid for use in acquisition.

Custodians:

Air Force - 99
Army - AV
Navy - AS

Preparing activity:
DLA-IS

AMSC N/A

FSC 5310

DISTRIBUTION STATEMENT A. Approved for public release; distribution is unlimited.