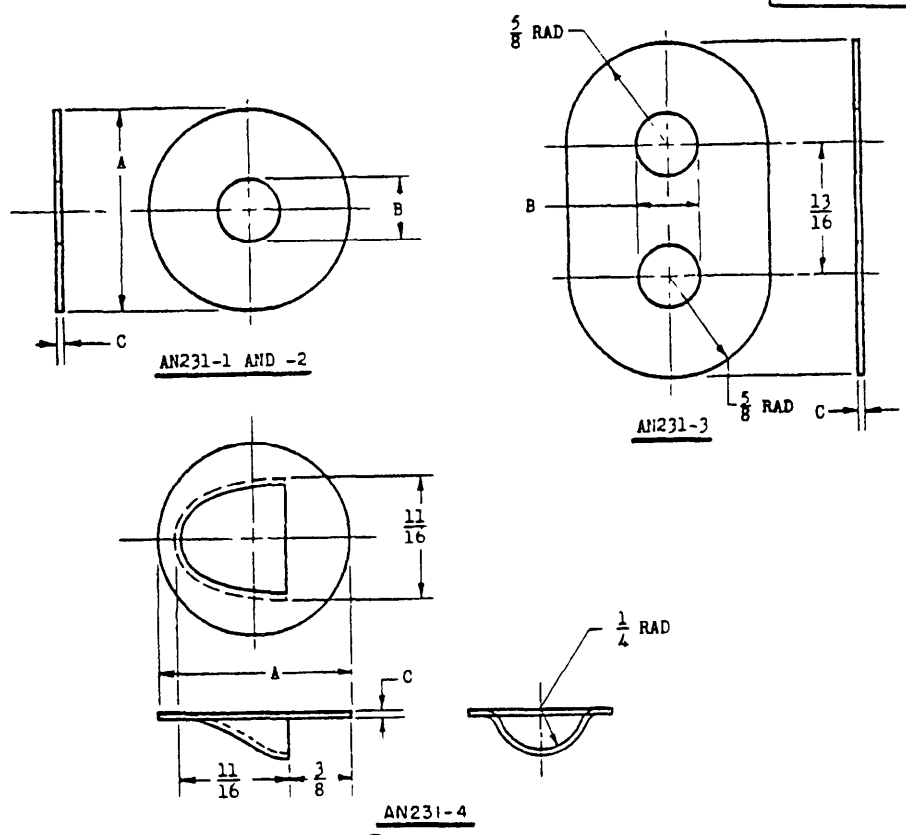


NOTICE—When Government drawings, specifications, or other data are used for any purpose other than in connection with a definitely related Government procurement operation, the United States Government thereby incurs no responsibility, nor any obligation whatsoever; and the fact that the Government may have formulated, furnished, or in any way applied the said drawings, specifications, or other data is not to be regarded by implication or otherwise as in any manner licensing the holder or any other person or corporation or conveying any rights of permission to manufacture or use or sell any patented invention that may in any way be related thereto.

AIR FORCE
 This drawing was prepared by technical staff of the AIR FORCE and Navy Departments as a guide for the design of parts. This drawing is not intended to be used as a substitute for the manufacturer's drawing for the same product and shall become effective for the procurement of quantities of supplies or for use in any other manner only after the manufacturer has been notified in writing by the Department of Defense. It may be put into effect, however, at the discretion of the procuring agency.



FED SUP CLASS
 5325

AN PART NUMBERS		A	B	C	WEIGHT
CELLULOSE ACETATE BUTYRATE	CELLULOSE NITRATE	DIA	DIA	±.0025	EST LB
AN231-1	AN231A1	1-1/4	3/8	.0200	.0008
AN231-2	AN231A2	3/4	5/16	.0200	.0002
AN231-3	AN231A3	-	3/8	.0200	.0015
AN231-4	AN231A4	1-3/16	-	.0325	.0018

MATERIAL: CELLULOSE ACETATE BUTYRATE, CLEAR (COLORLESS). FOR CELLULOSE ACETATE BUTYRATE DOPED FABRIC.

- ④ ~~CELLULOSE NITRATE, COLOR LIGHT BLUE FOR CELLULOSE NITRATE DOPED FABRIC~~
- DIMENSIONS IN INCHES. UNLESS OTHERWISE SPECIFIED. TOLERANCE FRACTIONS ±1/64
- ④ INTERCHANGEABILITY RELATIONSHIP PARTS CODED WITH DASH (-) ARE UNIVERSALLY SUBSTITUTIVE FOR PARTS CODED "A" WITH THE SAME DASH NUMBER.
- ④ PARTS CODED A CANCELED AND INACTIVE FOR DESIGN AFTER 11 JULY 1969. USE -1, 2, 3 OR 4.

P.A. Navy - AS	AIR FORCE-NAVY AERONAUTICAL STANDARD	AN231
Other Cust USAF-82	GROMMET-DRAINAGE, PLASTIC	
Procurement Specification NONE	SUPERSEDES	SHEET 1 OF 1

DD FORM 672
 1 SEP 57

PREVIOUS EDITIONS OF THIS FORM ARE OBSOLETE
 ☆ U. S. GOVERNMENT PRINTING OFFICE: 1963-393-064/5-938

DATE

NOTES TO PRINTER REDUCE BORDER TO 6-27/32±1/4 PRINT LEFT BORDER-LINE ONE INCH FROM LEFT EDGE OF 8-10-1/2 SHEET
 PRINT BOTTOM BORDER LINE 3/8 INCH FROM BOTTOM EDGE OF 8-10-1/2 SHEET. SIGNATURE FORM NOT TO BE INCLUDED ON 8-10-1/2 SHEET

DRAWN BY _____
 TYPED BY _____
 CHECKED BY _____

GPO 938908

APPROVED 30 Dec 63 REVISED 1 22 Mar 64 2 8 Oct 65 3 15 Oct 68 4 11 Jul 69