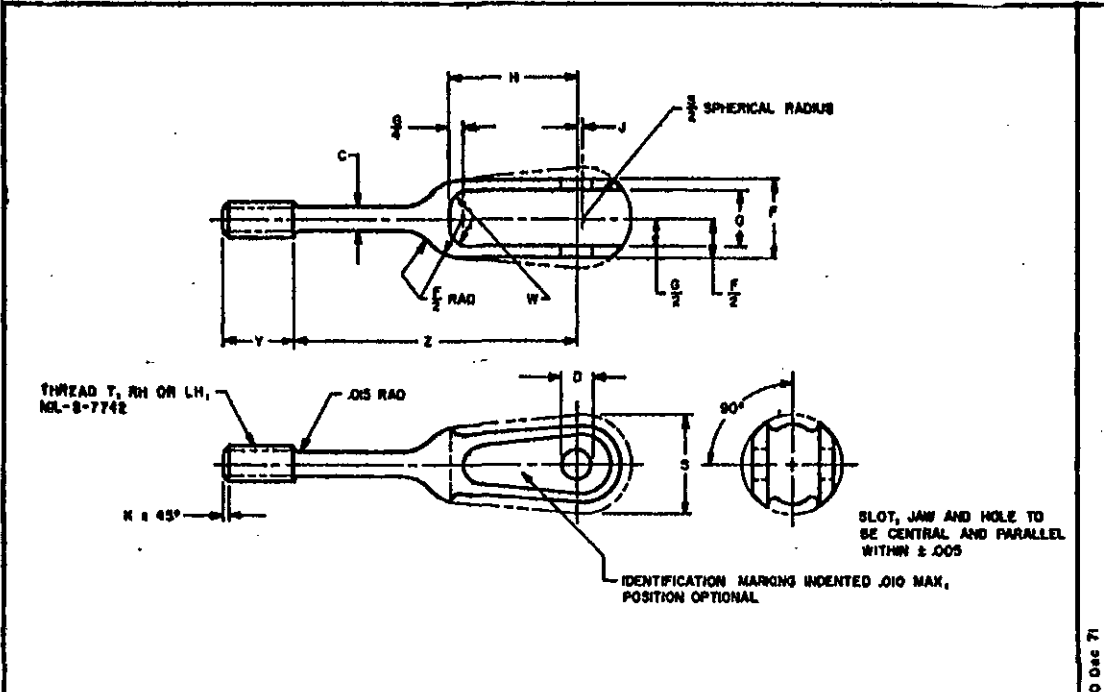


NOTES: When Government drawings, specifications, or other data are used for any purpose other than in connection with a definitely related Government procurement operation, the United States Government hereby denies any responsibility, nor any obligation, and the fact that the Government may have furnished, furnished, or in any way supplied the said drawings, specifications, or other data is not to be regarded as an implied or otherwise in any manner forming the basis for any other process or cooperation, or conferring any right of reproduction to manufacturers, users, or all any patenting invention that may in any way be related thereto.

NOTE: This drawing was approved by joint action of the Air Force and Navy Departments as the Air Force-Navy standard for this product. This drawing supersedes all previous standard drawings for this same product and shall become effective for the procurement of aeronautical supplies, or for use in any design, not later than 9 months after the date of approval herein.



(a)	AN PART NO.	MATCHES BEARING NO.	MINIMUM BREAKING STRENGTH LB	THREAD T NF-3	C +.000 -.006 DIA	D +.002 -.000 DIA	F +.010 -.005	G ±.006	H	J ±.010 -.000	K MAX	S SPHER DIA	W RAD	Y ±.047	Z ±.010 -.015
	AN162-3L9														1.812
	AN162-3R3														1.812
	AN162-3LL	AN200KP3	1800	NO. 10-32	.139	.180	.500	.312	1.062	.031		.750	5/32	.500	2.667
	AN162-3RL										.031				2.667
	AN162-4L3														1.937
	AN162-4R3														1.937
	AN162-4LL	AN200KP4	3600	1/4-28	.185	.250	.750	.500	1.188	.047		.875	3/16	.625	2.812
	AN162-4RL														2.812
	AN162-6L3														1.937
	AN162-6R3														1.937
	AN162-6LL	AN200KP4	4600	5/16-24	.249	.250	.750	.500	1.188	.047		.875	3/16	.750	2.812
	AN162-6RL														2.812
	AN162-8L3										.047				2.000
	AN162-8R3														2.000
	AN162-8LL	AN200KP6	4600	5/16-24	.249	.313	.813	.563	1.313	.047		1.000	3/16	.750	2.675
	AN162-8RL														2.675

(a) FIRST LETTER FOLLOWING DASH NUMBER INDICATES DIRECTION OF THREAD (RIGHT OR LEFT).
 MATERIAL: SEE PROCUREMENT SPECIFICATION.
 FINISH: SEE PROCUREMENT SPECIFICATION.
 EXAMPLES OF PART NOS.: AN162-3L3 = FORK-TURNBUCKLE, NO. 10-32 LEFT HAND THREAD, SHORT.
 AN162-3RL = FORK-TURNBUCKLE, 1/4-28 RIGHT HAND THREAD, LONG.
 REMOVE ALL BURRS AND SHARP EDGES.
 DIMENSIONS IN INCHES. UNLESS OTHERWISE SPECIFIED, TOLERANCES: DECIMALS ±.010, ANGLES ±1/2°.

① **CANCELLED AFTER 10 DECEMBER 1971. USE MS21253.**
 INTERCHANGEABILITY RELATIONSHIP - MS21253 CAN REPLACE THE CANCELLED AN162 PARTS IDENTIFIED BY THE SAME DASH NUMBER.
 THE CANCELLED AN162 PARTS CANNOT REPLACE THE MS21253 PARTS AND SHOULD BE USED UNTIL EXISTING STOCK IS DEPLETED.
 USE ONLY THE SUPERSEDING MS21253 PARTS IDENTIFIED BY THE SAME DASH NUMBER.

② **REINSTATED 8 SEPTEMBER 1970**

PROCUREMENT SPECIFICATION MIL-T-5465	AIR FORCE-NAVY AERONAUTICAL STANDARD	AN162
	FORK-TURNBUCKLE, FOR BEARING	

REVISED 1 24 May 54 2 17 Nov 53 3 25 Nov 63 4 8 Sep 70 5 10 Dec 71
 APPROVED