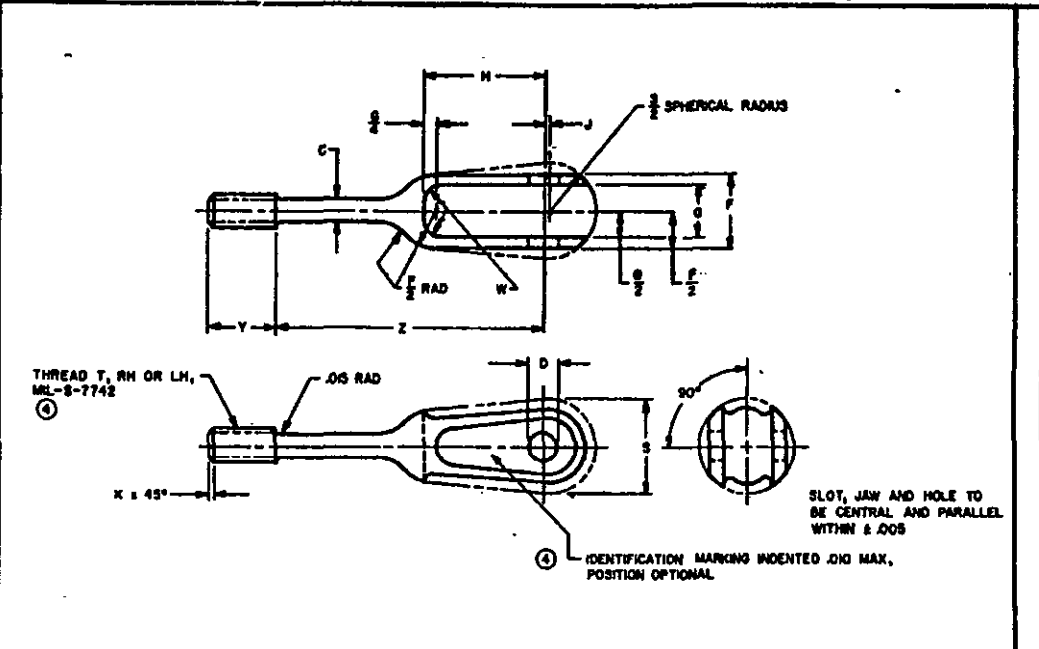


NOTE: This drawing was approved by joint action of the Air Force and Navy Departments in the Air Force-Navy standard for this product. This drawing supersedes all antecedent standard drawings for the same product and shall become effective for the procurement of aeronautical supplies, or for use in same, not later than 6 months after the latest date of approval shown.

NOTE: When Government drawings, specifications, or other data are used for any purpose other than in connection with a definitely limited Government procurement operation, the United States Government thereby incurs no responsibility, nor any obligation, and the fact that the Government may have furnished, transmitted, or in any way supplied the said drawings, specifications, or other data is not to be construed by implication or otherwise as in any manner assuming the liability of any other person or organization, or conveying any rights or privileges, to manufacture, use, or sell any patented invention that may in any way be related thereto.



(*) AN PART NO.	MATCHES BEARING NO.	MINIMUM BREAKING STRENGTH LB	THREAD T NF-3	C +.000 -0.008 DIA	D +.002 -0.000 DIA	F +.010 -0.005	G ±.005	H	J 1.000 -0.000	K MAX	S SPHERICAL DIA	W RAD	Y ±.047	Z +.010 -0.005
AN162-3LS	AN200KP3	1800	NO. 10-32	.139	.190	.500	.312	1.062	.031	.031	.750	5/32	.500	1.812
AN162-3RS														1.862
AN162-3LL														2.667
AN162-3RL														2.667
AN162-4LS	AN200KP4	3600	1/4-28	.195	.250	.750	.500	1.188	.047	.047	.875	3/16	.625	1.937
AN162-4RS														1.937
AN162-4LL														2.812
AN162-4RL														2.812
AN162-5LS	AN200KP4	4500	5/16-24	.249	.250	.750	.500	1.188	.047	.047	.875	3/16	.750	1.937
AN162-5RS														1.937
AN162-5LL														2.812
AN162-5RL														2.812
AN162-6LS	AN200KP5	4600	5/16-24	.249	.313	.813	.563	1.313	.047	.047	1.000	3/16	.750	2.000
AN162-6RS														2.000
AN162-6LL														2.875
AN162-6RL														2.875

(\*) FIRST LETTER FOLLOWING DASH NUMBER INDICATES DIRECTION OF THREAD (RIGHT OR LEFT).

① MATERIAL: SEE PROCUREMENT SPECIFICATION.

② FINISH: SEE PROCUREMENT SPECIFICATION.

EXAMPLES OF PART NOS.: AN162-3LS = FORK-TURNBUCKLE, NO. 10-32 LEFT HAND THREAD, SHORT.  
 AN162-3RL = FORK-TURNBUCKLE, 1/4-28 RIGHT HAND THREAD, LONG.

REMOVE ALL BURRS AND SHARP EDGES.

DIMENSIONS IN INCHES. UNLESS OTHERWISE SPECIFIED, TOLERANCES: DECIMALS ±.010, ANGLES ±1/2°.

③ ~~CANCELLED AFTER 25 NOVEMBER 1963. USE MS21253.~~  
~~INTERCHANGEABILITY RELATIONSHIP. MS21253 CAN REPLACE THE CANCELLED AN162 PARTS IDENTIFIED BY THE SAME DASH NUMBER.~~  
~~THE CANCELLED AN162 PARTS CANNOT REPLACE THE MS21253 PARTS AND SHOULD BE USED UNTIL EXISTING STOCK IS DEPLETED.~~  
~~USE ONLY THE SUPERSEDING MS21253 PARTS IDENTIFIED BY THE SAME DASH NUMBER.~~

④ REINSTATED 8 SEPTEMBER 1970

PROCUREMENT SPECIFICATION MIL-T-5688	AIR FORCE-NAVY AERONAUTICAL STANDARD FORK-TURNBUCKLE, FOR BEARING	<b>AN162</b>
---	--	--------------

REVISIONS: 1 24 May 54 2 17 May 53 3 25 Nov 63 4 8 Sep 70  
 APPROVED