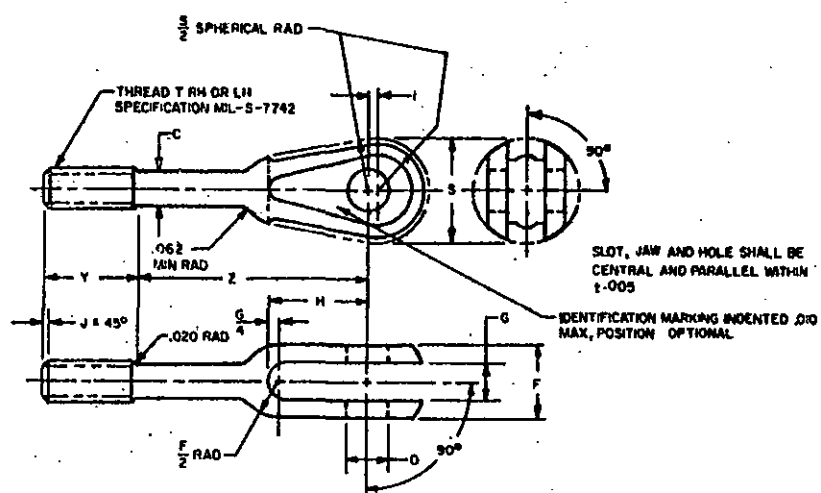


NOTICE: When Government drawings, specifications, or other data are used for any purpose other than in connection with a definitely related Government procurement operation, the United States Government thereby incurs no responsibility, nor any obligation, whatsoever; and the fact that the Government may have furnished, furnished, or in any way supplied this data, drawings, specifications, or other data is not to be regarded by implication or otherwise as in any way endorsing the product or any other person or organization, or conveying any rights or permission to manufacture, use, or sell any patented invention that may in any way be related thereto.

NOTE: This drawing was approved by the Air Force and Navy Departments as the Air Force-Navy standard for this product. This drawing represents all aerospace standard drawings for the same product and shall become obsolete for the procurement of commercial supplies or for test in new design, not later than 6 months after the latest date of approval shown.



(b) AN PART NO	MIN BREAKING STRENGTH LB	THREAD T UNF-3A (a)	C ±.006 - .000 DIA	D ±.002 - .000 QA	F ±.010 - .005	G ±.010 - .000	H	I ±.010 - .000	J MAX	S SPHER DIA	Y ±.047	Z ±.031 - .015
AN161-01S AN161-01R	550	NO. 4-48	.076	.164	.342	.150	.375	.031	.031	.375	.344	.719
AN161-01S AN161-01R	800	NO. 6-40	.094	.190	.251	.109	.375	.031		.375	.375	1.125
AN161-16LS AN161-16RS AN161-16LL AN161-16RL	1 600	NO. 10-32	.133	.190	.319	.156	.375	.031		.500	.500	1.125
AN161-22LS AN161-22RS AN161-22LL AN161-22RL	2 200	1/4-28	.155	.190	.350	.187	.469	.031		.531	.563	1.156
AN161-32LS AN161-32RS AN161-32LL AN161-32RL	3 200	1/4-28	.189	.250	.452	.218	.531	.047		.641	.625	1.219
AN161-46LS AN161-46RS AN161-46LL AN161-46RL	4 600	5/16-24	.243	.313	.547	.250	.636	.047		.734	.750	1.281
AN161-61LL AN161-61RL	6 100	3/8-24	.256	.375	.630	.270	.843	.063		.813	.875	2.261
AN161-80LL AN161-80RL	8 000	3/8-24	.306	.375	.687	.312	.875	.063		.922	.875	2.313
AN161-125LL AN161-125RL	12 500	7/16-20	.362	.438	.790	.375	1.000	.078		1.094	1.000	2.438
AN161-175LL AN161-175RL	17 500	1/2-20	.425	.500	.844	.437	1.188	.078		1.219	1.000	2.688

① CANCELLED AFTER 10 DECEMBER 1971 USE MS21252.
 INTERCHANGEABILITY RELATIONSHIP: MS21252 CAN REPLACE THE CANCELLED AN161 PARTS IDENTIFIED BY THE SAME DASH NUMBER. THE CANCELLED AN161 PARTS CANNOT REPLACE THE MS21252 PARTS AND SHOULD BE USED UNTIL EXISTING STOCK IS DEPLETED. USE ONLY THE SUPERSEDING MS21252 PARTS IDENTIFIED BY THE SAME DASH NUMBER.

- (a) UNF-3A THREAD FOR ALL EXCEPT NOS. 4-48, 6-40 and 10-32 WHICH ARE NF-3A.
- (b) FIRST LETTER FOLLOWING DASH NO. INDICATES DIRECTION OF THREAD (LEFT OR RIGHT)

MATERIAL: STEEL. SEE PROCUREMENT SPECIFICATION.
 FINISH: SEE PROCUREMENT SPECIFICATION.
 EXAMPLES OF PART NOS: AN161-5LS = FORK TURNBUCKLE, NO. 4-48 LEFT HAND THREAD SHORT.
 AN161-46RL = FORK TURNBUCKLE, 5/16-24 RIGHT HAND THREAD LONG.
 REMOVE ALL LOOSE AND HANGING BURRS AND SLIVERS WHICH MIGHT BECOME DISLODGED UNDER USAGE.
 DIMENSIONS IN INCHES. UNLESS OTHERWISE SPECIFIED, TOLERANCES: DECIMALS ±.010, ANGLES ±1/2°

② REINSTATED 8 SEPTEMBER 1970

PROCUREMENT SPECIFICATION ML-T-2463	AIR FORCE-NAVY AERONAUTICAL STANDARD FORK - TURNBUCKLE	AN161
--	---	--------------

SUPERSEDES AAF DRAWINGS
 161 43B2342 AND 049321.

APPROVED 22 Oct 62 REVISED 13 Jan 63 2 15 May 64 3 31 Jul 65 4 24 May 66 5 13 Sep 66 6 17 Mar 68 7 25 Apr 63 8 8 Sep 70 9 10 Dec 71