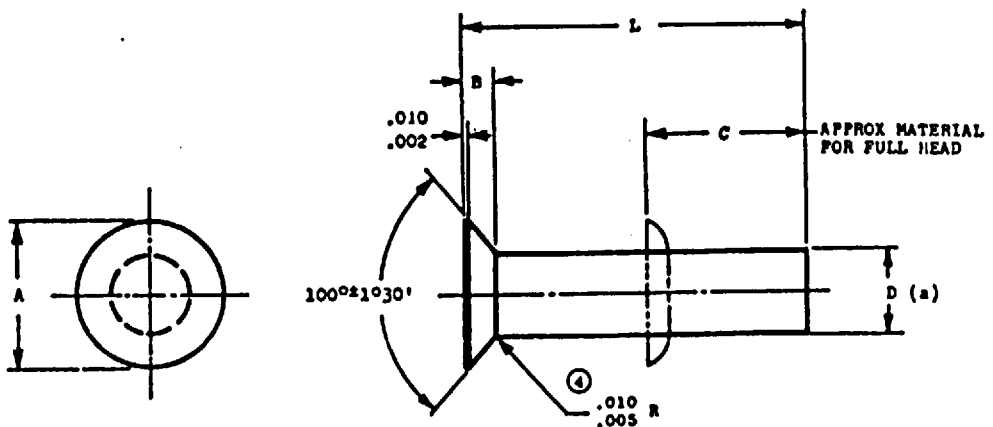


FED. SUP CLASS
 5320

AN 123451
 THRU
 AN 123600

User activities:
 Army
 Navy
 Air Force
 DSA

Review activities:
 Army
 Navy
 Air Force-11
 DSA - IS



D DIAMETER	A	$\pm .001$ $-.003$	C REFERENCE	X
.062 $\pm .001$.105 $\pm .002$ $-.006$.022	.112	.010
.094 $\pm .001$.170 $\pm .002$ $-.006$.036	.169	.010
.125 $\pm .001$ $-.002$.216 $\pm .002$ $-.006$.042	.225	.010
.156 $\pm .001$ $-.002$.278 $\pm .002$ $-.006$.055	.261	.015
.188 $\pm .001$ $-.002$.344 $\pm .003$ $-.007$.070	.338	.015
.250 $\pm .002$.467 $\pm .003$ $-.007$.095	.440	.020
.312 $\pm .002$.555 $\pm .003$ $-.007$.106	.561	.020
.375 $\pm .002$.685 $\pm .003$ $-.007$.134	.675	.020

(a) D DIAMETER TO BE GAGED FROM END OF SHANK TO WITHIN .100 OF BASE OF HEAD
 RIVET HEAD MUST BE CONCENTRIC WITH SHANK WITHIN X FULL INDICATOR READING
 SPECIFICATION: STEEL, CORROSION AND HEAT RESISTANT, AMS 7229 (MATERIAL AND MFG)
 DIMENSIONS IN INCHES. UNLESS OTHERWISE SPECIFIED; TOLERANCES; LINEAR DIMENSIONS $\pm .010$
 REMOVE BURR AND BREAK SHARP EDGES .000 - .015

This military standard is approved for use by all Departments and Agencies of the Department of Defense. Selection for all new engineering and design applications and for repetitive use shall be made from this document.

④ FOR CHANGES SEE SHEETS 1 & 2

THIS STANDARD WAS DEVELOPED COOPERATIVELY WITH THE ENGINE AND PROPELLER UTILITY PARTS COMMITTEE OF THE SAE

P. A. USAF - 82 Other Cust	④ AIR FORCE-NAVY AERONAUTICAL STANDARD	AN 123451 THRU AN 123600
ARMY - AV NAVY - AS		
PROCUREMENT SPEC None	RIVET, SOLID, 100° FLUSH HEAD, AMS 7229	

APPROVED: [Signature] 28 May 63 ④ 27 Jun 74

**AN 123451
 THRU
 AN 123600**

**FED.SUP CLASS
 5120**

User activities:
 Army
 Navy
 Air Force -
 DSA

Review activities:
 Army
 Navy
 Air Force - II
 DSA

L	DIAMETER AND PART NUMBERS							
	.062	.094	.125	.156	.188	.250	.312	.375
.125	AN123451							
.156	AN123460							
.168	AN123452	AN123468						
.219	AN123461	AN123479						
.250	AN123453	AN123469						
.281	AN123462	AN123480						
.312	AN123454	AN123470	AN123466	AN123502				
.344	AN123463	AN123471	AN123467	AN123584				
.375	AN123455	AN123471	AN123467	AN123502	AN123519			
.406	AN123464	AN123482	AN123534	AN123545				
.438	AN123456	AN123472	AN123488	AN123504	AN123520			
.469	AN123465	AN123473	AN123489	AN123505				
.500	AN123457	AN123473	AN123489	AN123505	AN123521	AN123537		
.531	AN123466	AN123484	AN123536	AN123587				
.562	AN123458	AN123474	AN123490	AN123506	AN123522	AN123538		
.594	AN123467	AN123474	AN123491	AN123568				
.625	AN123459	AN123475	AN123491	AN123507	AN123523	AN123539	AN123555	
.656		AN123499	AN123548	AN123589				
.688		AN123500	AN123549	AN123590				
.719		AN123501	AN123550	AN123591				
.750		AN123476	AN123492	AN123508	AN123524	AN123540	AN123556	AN123572
.781		AN123515	AN123541	AN123592				
.812		AN123516	AN123552	AN123593				
.844		AN123517	AN123553	AN123594				
.875		AN123477	AN123493	AN123509	AN123525	AN123541	AN123557	AN123573
.906		AN123518	AN123554	AN123595				
.938		AN123531	AN123563	AN123596				
.969		AN123532	AN123564	AN123597				
1.000		AN123478	AN123494	AN123510	AN123526	AN123542	AN123558	AN123574
1.031			AN123565	AN123598				
1.062			AN123566	AN123599				
1.094			AN123567	AN123600				
1.125			AN123495	AN123511	AN123527	AN123543	AN123559	AN123575
1.156			AN123568					
1.188			AN123569					
1.219			AN123570					
1.250			AN123496	AN123512	AN123528	AN123544	AN123560	AN123576
1.281			AN123571					
1.312			AN123579					
1.344			AN123580					
1.375			AN123497	AN123513	AN123529	AN123545	AN123561	AN123577
1.406			AN123581					
1.438			AN123582					
1.469			AN123583					
1.500			AN123498	AN123514	AN123530	AN123546	AN123562	AN123578

This military standard is approved for use by all Departments and Agencies of the Department of Defense. Selection for all new engineering and design applications and for repetitive use shall be made from this document.

THIS STANDARD WAS DEVELOPED COOPERATIVELY WITH THE ENGINE AND PROPELLER UTILITY PARTS COMMITTEE OF THE SAE

P. A. USAF - 82
 Other Cust
 Army - AV
 Navy - AS
PROCUREMENT SPEC
 None

AIR FORCE-NAVY AERONAUTICAL STANDARD
RIVET, SOLID, 100° FLUSH HEAD,
AMS 7229

**AN 123451
 THRU
 AN 123600**

APPROVED 2 June 63 REVISED 1 28 63 6 FOR CHANGES SEE SHEETS 1 B 2