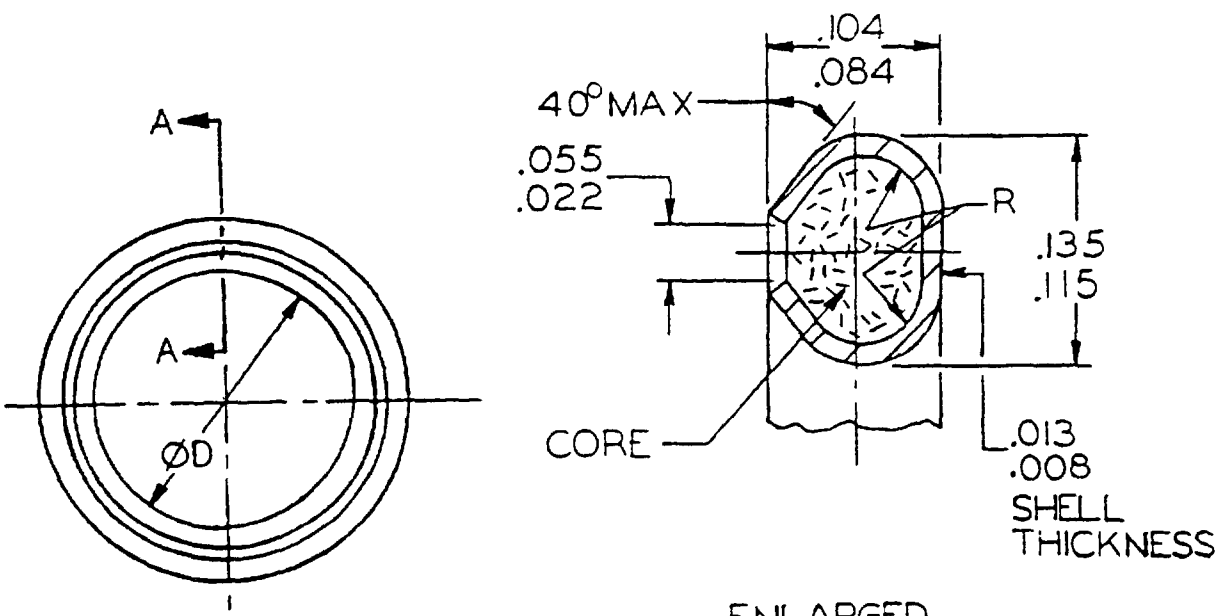


FED SUP CLASS
5330

REVISOR STAFF
AIR FOI
- 11

NOTICE: When Government drawings, specifications or other data are used for any purpose other than in connection with a related Government procurement operation, the United States Government thereby incurs no responsibility, nor any obligation whatsoever; and the fact that the Government may have furnished, furnished, or in any way supplied the said drawings, specifications, or other data is not to be regarded by implication or otherwise as in any manner forming the holder or any other person or corporation, or conveying any rights or permission to manufacture, use, or sell any patented invention that may in any way be related thereto.

APPROVED FOR PUBLIC RELEASE; DISTRIBUTION IS LIMITED.
 This drawing is approved by the Air Force and Navy Departments as the Air Force-Navy standard for this product. This drawing supersedes all standard drawings for the same product and shall become effective for the procurement of aeronautical supplies, or for use in new design not later than 6 months after the latest date of approval shown.
 AMSC N/A



ENLARGED SECTION A-A

ØD	PART NO.	ØD	PART NO.	ØD	PART NO.
.203-.188	AN123020	1.515-1.500	AN123041	2.827-2.812	AN123062
.265-.250	AN123021	1.577-1.562	AN123042	2.890-2.875	AN123063
.327-.312	AN123022	1.640-1.625	AN123043	2.953-2.938	AN123064
.390-.375	AN123023	1.703-1.688	AN123044	3.015-3.000	AN123065
.453-.438	AN123024	1.765-1.750	AN123045	3.077-3.062	AN123066
.515-.500	AN123025	1.827-1.812	AN123046	3.140-3.125	AN123067
.577-.562	AN123026	1.890-1.875	AN123047	3.203-3.188	AN123068
.640-.625	AN123027	1.953-1.938	AN123048	3.265-3.250	AN123069
.703-.688	AN123028	2.015-2.000	AN123049	3.327-3.312	AN123070
.765-.750	AN123029	2.077-2.062	AN123050	3.390-3.375	AN123071
.827-.812	AN123030	2.140-2.125	AN123051	3.453-3.438	AN123072
.890-.875	AN123031	2.203-2.188	AN123052	3.515-3.500	AN123073
.953-.938	AN123032	2.265-2.250	AN123053	3.577-3.562	AN123074
1.015-1.000	AN123033	2.327-2.312	AN123054	3.640-3.625	AN123075
1.077-1.062	AN123034	2.390-2.375	AN123055	3.703-3.688	AN123076
1.140-1.125	AN123035	2.453-2.438	AN123056	3.765-3.750	AN123077
1.203-1.188	AN123036	2.515-2.500	AN123057	3.827-3.812	AN123078
1.265-1.250	AN123037	2.577-2.562	AN123058	3.890-3.875	AN123079
1.327-1.312	AN123038	2.640-2.625	AN123059	3.953-3.938	AN123080
1.390-1.375	AN123039	2.703-2.688	AN123060	4.015-4.000	AN123081
1.453-1.438	AN123040	2.765-2.750	AN123061		

APPROVED 15 SEP 50 REVISED 1 JAN 51 2 27 MAR 59 3 25 MAY 59 4 8 MAR 63 5 15 MAY 68 6 2 NOV 73 7 7 AUG 92

P.A. AIR FORCE-82 Other Dist ARMY-AV NAVY-AS AIR FORCE-99	AIR FORCE - NAVY AERONAUTICAL STANDARD	AN123020 THRU AN123119
	GASKET-ALUMINUM-NON ASBESTOS, ANNULAR	
PROCUREMENT SPECIFICATION	SUPERSEDES.	SHEET 1 OF 2

FED SUP CLASS
5330

REVIEW SYMBOLS
AIR FORCE-11

⑦ MATERIAL CORE - COMPRESSED SHEET OF NITRILE RUBBER AND ARAMID FIBERS
 SUGGESTED SOURCES:
 JOHNS-MANVILLE. STYLE 978
 GARLOCK STYLE 3000
 KLINGER STYLE C-4401
 SHELL - ALUMINUM, AMS 4001, ANODIZE PER AMS 2472 DYED BLUE PRIOR TO PART FABRICATION
 EDGES MAY BE UNTREATED

DIMENSIONS IN INCHES

DO NOT USE UNASSIGNED PART NUMBERS

AMS IS A SOCIETY OF AUTOMOTIVE ENGINEERS, INC PUBLICATION

THIS STANDARD WAS DEVELOPED COOPERATIVELY WITH THE MILITARY SERVICES BY THE AEROSPACE PARTS STANDARDS
 DIVISION OF SAE

NOTICE: When Government drawings, specifications or other data are used for any purpose other than in connection with a definitely related Government procurement operation, the United States Government thereby incurs no responsibility, nor any obligation whatsoever, and the fact that the Government may have formulated, furnished, or in any way supplied the said drawings, specifications, or other data is not to be regarded as implying any authority on its part in any manner concerning the holder or any other person or corporation, or assuming any liability in manufacture, use, or sale of any patented invention that may in any way be related thereto.

DISTRIBUTION STATEMENT: APPROVED FOR PUBLIC RELEASE; DISTRIBUTION IS LIMITED.
 NOTE: This drawing was prepared by joint action of the Air Force and Navy Departments as the Air Force standard for this product. This drawing is a duplicate of an existing standard drawing for the same product and shall become effective for the procurement of contractual orders, or for use in new design not later than 6 months after the latest date of approval shown.
 AMSC N/A

APPROVED 15 SEP 50 REVISED FOR CHANGES SEE SHEET 2

P.A. AIR FORCE-82 Other Cust ARMY-AV NAVY-AS AIR FORCE-99	AIR FORCE - NAVY AERONAUTICAL STANDARD GASKET-ALUMINUM-NON ASBESTOS, ANNULAR	AN123020 THRU AN123119
PROCUREMENT SPECIFICATION	SUPERSEDES.	SHEET 2 OF 2