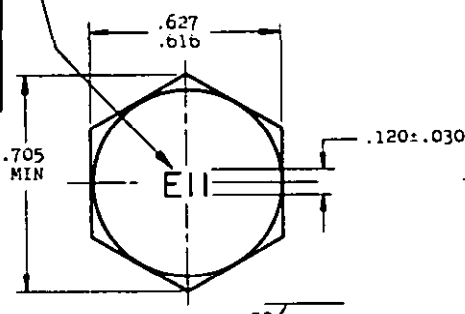


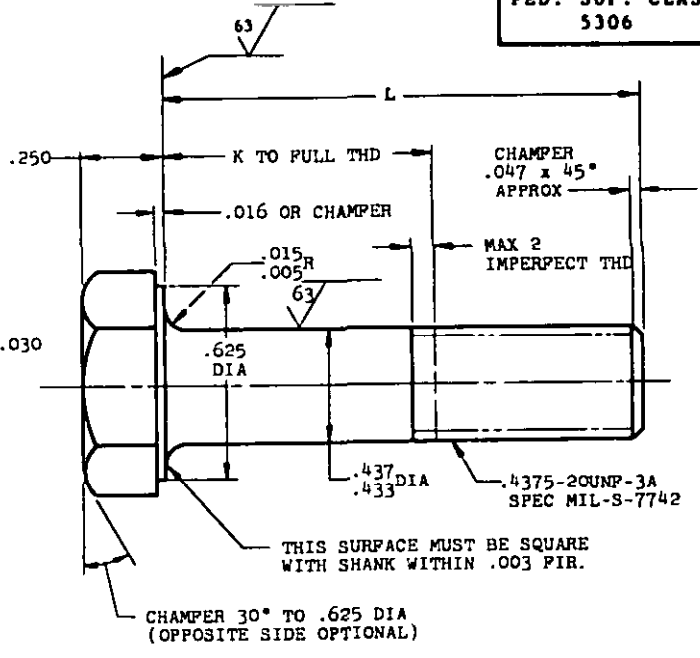
FED. SUP. CLASS.  
 5306

AN101401  
 THRU  
 AN101500

MATERIAL IDENTIFICATION PER  
 AMS2800. RAISED OR DEPRESSED  
 .010 MAX



SECTION THRU THREAD PROFILE



NOTICE: When Government drawings, specifications, or other data are used for any purpose other than in connection with a definitely related Government procurement operation, the United States Government therefor incurs no responsibility, nor any obligation whatsoever; and the fact that the Government may have furnished, furnished, or in any way supplied the said drawings, specifications, or other data is not to be regarded by implication or otherwise as in any manner licensing the holder or any other person or corporation, or conveying any rights or permission to manufacture, use, or sell any article or invention that may in any way be related thereto.

DISTRIBUTION STATEMENT A. Approved for public release; distribution is unlimited.  
 NOTE: This drawing was approved by joint action of the Air Force and Navy Departments as the Air Force-Navy standard for this product. This drawing supersedes all antecedent standard drawings for the same product and shall become effective for the procurement of aeronautical supplies, or for use in new design, not later than 6 months after the latest date of approval shown.

L	K +.000 -.060	PART NO.	L	K +.000 -.060	PART NO.	L	K +.000 -.060	PART NO.	L	K +.000 -.060	PART NO.
			1.500	.688	AN101417	3.000	2.188	AN101431	4.750	3.938	AN101445
			1.562	.750	AN101418	3.125	2.312	AN101432	4.875	4.062	AN101446
			1.625	.812	AN101419	3.250	2.438	AN101433	5.000	4.188	AN101447
.812	(a)	AN101406	1.688	.875	AN101420	3.375	2.562	AN101434	5.125	4.312	AN101448
.875	(a)	AN101407	1.750	.938	AN101421	3.500	2.688	AN101435	5.250	4.438	AN101449
.938	.125	AN101408	1.875	1.062	AN101422	3.625	2.812	AN101436	5.375	4.562	AN101450
1.000	.188	AN101409	2.000	1.188	AN101423	3.750	2.938	AN101437	5.500	4.688	AN101451
1.062	.250	AN101410	2.125	1.312	AN101424	3.875	3.062	AN101438	5.625	4.812	AN101452
1.125	.312	AN101411	2.250	1.438	AN101425	4.000	3.188	AN101439	5.750	4.938	AN101453
1.188	.375	AN101412	2.375	1.562	AN101426	4.125	3.312	AN101440	5.875	5.062	AN101454
1.250	.438	AN101413	2.500	1.688	AN101427	4.250	3.438	AN101441	6.000	5.188	AN101455
1.312	.500	AN101414	2.625	1.812	AN101428	4.375	3.562	AN101442			
1.375	.562	AN101415	2.750	1.938	AN101429	4.500	3.688	AN101443			
1.438	.625	AN101416	2.875	2.062	AN101430	4.625	3.812	AN101444			

(a) THREAD TO HEAD. MAXIMUM TWO IMPERFECT THREADS.

- NOTE: (1) SHANK SHALL BE STRAIGHT WITHIN .0025 FIR. PER INCH OF BOLT LENGTH.  
 (2) THE CONCENTRICITY OF THREAD PD IN RELATION TO THE SHANK SHALL BE WITHIN .006 FIR.  
 (3) THE CONCENTRICITY OF THE SHANK IN RELATION TO THE WASHER FACE DIAMETER AND HEXAGON SHALL BE WITHIN .019 FIR.

MATERIAL: STEEL AMS6322  
 HARDNESS: ROCKWELL C26-32  
 FINISH: CADMIUM PLATE AMS2400  
 SURFACE ROUGHNESS: AS107

MANUFACTURING SPECIFICATION: AMS7452  
 (1) INSPECTION: ALL PARTS SHALL UNDERGO MAGNETIC INSPECTION IN ACCORDANCE WITH AMS2840.  
 BREAK SHARP EDGES .003-.015 UNLESS OTHERWISE SPECIFIED.

DIMENSIONS IN INCHES. UNLESS OTHERWISE SPECIFIED: TOLERANCES; LINEAR DIMENSIONS ±.010, ANGULAR DIMENSIONS ±2°.

DO NOT USE UNASSIGNED PART NUMBERS.

INACTIVE FOR NEW DESIGN AFTER 3 MARCH 1969 NO SUPERSEDING STANDARD.

THIS STANDARD WAS DEVELOPED COOPERATIVELY BY THE ENGINE AND PROPELLER UTILITY PARTS COMMITTEE OF THE SAE.

P.A. AF-11 CUST. NAVY-AS ARMY-AV	AIR FORCE-NAVY AERONAUTICAL STANDARD	AN101401 THRU AN101500
	BOLT - HEX HEAD .4375-20	

APPROVED 8 June 43 REVISED 131 Aug 51 3 Mar 59 10 June 1986