



ASC-TR-2010-5002

**THREATS TO AIRCRAFT STRUCTURAL SAFETY,
INCLUDING A COMPENDIUM OF SELECTED
STRUCTURAL ACCIDENTS / INCIDENTS**

C. F. Tiffany, J. P. Gallagher, and C. A. Babish, IV

**Engineering Directorate (ASC/EN)
Aeronautical Systems Center**

**MARCH 2010
Final Report**

**AERONAUTICAL SYSTEMS CENTER
ENGINEERING DIRECTORATE
WRIGHT-PATTERSON AIR FORCE BASE, OH 45433-7101
AIR FORCE MATERIEL COMMAND
UNITED STATES AIR FORCE**


DISTRIBUTION STATEMENT A. Approved for public release; distribution is unlimited.

NOTICE AND SIGNATURE PAGE


Using Government drawings, specifications, or other data included in this document for any purpose other than Government procurement does not in any way obligate the U.S. Government. The fact that the Government formulated or supplied the drawings, specifications, or other data does not license the holder or any other person or corporation; or convey any rights or permission to manufacture, use, or sell any patented invention that may relate to them.

This report has been cleared for public release by the Aeronautical Systems Center Public Affairs Office and is available to the general public, including foreign nations. Copies of this report may be obtained from the Defense Technical Information Center (DTIC) (<http://www.dtic.mil>).

ASC-TR-2010-5002 HAS BEEN REVIEWED AND IS APPROVED FOR PUBLICATION IN ACCORDANCE WITH ASSIGNED DISTRIBUTION STATEMENT.



CHARLES A. BABISH IV, SL
Technical Advisor, Aircraft Structural Integrity
Engineering Directorate
Aeronautical Systems Center



COL. JAMES A. GODSEY
Deputy Director
Engineering Directorate
Aeronautical Systems Center

This report is published in the interest of scientific and technical information exchange, and its publication does not constitute the Government's approval or disapproval of its ideas or findings.

REPORT DOCUMENTATION PAGE				<i>Form Approved</i> OMB No. 0704-0188	
The public reporting burden for this collection of information is estimated to average 1 hour per response, including the time for reviewing instructions, searching existing data sources, searching existing data sources, gathering and maintaining the data needed, and completing and reviewing the collection of information. Send comments regarding this burden estimate or any other aspect of this collection of information, including suggestions for reducing this burden, to Department of Defense, Washington Headquarters Services, Directorate for Information Operations and Reports (0704-0188), 1215 Jefferson Davis Highway, Suite 1204, Arlington, VA 22202-4302. Respondents should be aware that notwithstanding any other provision of law, no person shall be subject to any penalty for failing to comply with a collection of information if it does not display a currently valid OMB control number. PLEASE DO NOT RETURN YOUR FORM TO THE ABOVE ADDRESS.					
1. REPORT DATE (DD-MM-YY) March 2010		2. REPORT TYPE Final		3. DATES COVERED (From - To) 01 January 2009 – 30 January 2010	
4. TITLE AND SUBTITLE THREATS TO AIRCRAFT STRUCTURAL SAFETY, INCLUDING A COMPENDIUM OF SELECTED STRUCTURAL ACCIDENTS / INCIDENTS				5a. CONTRACT NUMBER In-house	
				5b. GRANT NUMBER	
				5c. PROGRAM ELEMENT NUMBER N/A	
6. AUTHOR(S) Charles F. Tiffany (USAF Retired) Joseph P. Gallagher (USAF Retired) Charles A. Babish, IV (ASC/EN)				5d. PROJECT NUMBER N/A	
				5e. TASK NUMBER N/A	
				5f. WORK UNIT NUMBER N/A	
7. PERFORMING ORGANIZATION NAME(S) AND ADDRESS(ES) Aeronautical Systems Center (ASC/EN) Engineering Directorate Wright-Patterson Air Force Base, OH 45433-7101 Air Force Materiel Command United States Air Force				8. PERFORMING ORGANIZATION REPORT NUMBER ASC- TR-2010-5002	
9. SPONSORING/MONITORING AGENCY NAME(S) AND ADDRESS(ES) Aeronautical Systems Center Engineering Directorate Wright-Patterson Air Force Base, OH 45433-7101 Air Force Materiel Command United States Air Force				10. SPONSORING/MONITORING AGENCY ACRONYM(S) ASC/EN	
				11. SPONSORING/MONITORING AGENCY REPORT NUMBER(S) ASC- TR-2010-5002	
12. DISTRIBUTION/AVAILABILITY STATEMENT <u>DISTRIBUTION STATEMENT A.</u> Approved for Public Release; Distribution is Unlimited.					
13. SUPPLEMENTARY NOTES Report contains color.					
14. ABSTRACT This report discusses seven serious threats to structural safety that have become known as a result of past accident/incident investigations. The report describes the historic evolution of military and civilian aircraft structural requirements to prevent instantaneous and delayed structural failure due to these threats; these structural requirements have evolved over the last 60 years to address the threats. Continued on next page					
15. SUBJECT TERMS Aircraft Structural Integrity Program, ASIP, structural integrity, MIL-STD-1530C					
16. SECURITY CLASSIFICATION OF:			17. LIMITATION OF ABSTRACT: Unlimited	18. NUMBER OF PAGES 167	19a. NAME OF RESPONSIBLE PERSON (Monitor) Charles A. Babish, IV 19b. TELEPHONE NUMBER (Include Area Code) (937) 255-5312
a. REPORT Unclassified	b. ABSTRACT Unclassified	c. THIS PAGE Unclassified			

ABSTRACT (continued)

The report summarizes each threat and provides authoritative accounts of threat-related accident/incident investigations to further illustrate the nature of each threat; it also discusses lessons-learned and the impact of accidents/incidents on aircraft structural design and maintenance requirements. The report also describes the evolution of fail-safe design and testing, the development of the Air Force's Aircraft Structural Integrity Program, and the development of fracture mechanics based damage tolerance requirements for both military and civil aircraft. The difficulties in developing and validating operational limits to prevent structural failure due to widespread fatigue damage are also discussed. This report provides background for current and future generations of aircraft engineers so that they can: 1) better understand the current requirements; 2) potentially avoid repeating past mistakes; and 3) better address current and future challenges to aircraft structural safety.

This report does not address some other threats to structural safety caused by structural overloads (those that far exceed design limits and cause essentially immediate catastrophic failure) due to excessive: 1) flight and/or ground loads (no matter the cause, e.g., pilot error, flight control system anomalies, etc.); 2) extreme turbulence and gust loads; and 3) aero-acoustic loads. Perhaps these threats and the related accidents and incidents will be the subject of a future report.

TABLE OF CONTENTS

CHAPTER		PAGE
1.0	INTRODUCTION	1
2.0	THREATS	5
2.1	High Local Stresses	7
2.2	Manufacturing and Material Defects	9
2.3	Maintenance Damage/Deficiencies	11
2.4	Environmental Damage	12
2.4.1	Corrosion and Fretting	12
2.4.2	Stress Corrosion and Corrosion Fatigue	13
2.5	Discrete Source Impact	14
2.5.1	Ground Equipment	14
2.5.2	Uncontained Engine Failures	14
2.5.3	Bird Strikes	17
2.5.4	Runway Debris	19
2.6	Explosive/Ballistic Penetration of the Airframe	20
2.7	Excessive Operational Loads	21
2.8	The Onset of Widespread Fatigue Damage (WFD)	22
2.9	Summary of the Threats and Their Associated Mechanisms	24
3.0	MAINTAINING AIRWORTHINESS	26
3.1	Multiple Load Path Fail-Safe Structures	28
3.2	Crack Arrest Fail-Safe Structures	29
3.3	Non-Fail-Safe / Single Load Path Structures	31
4.0	CONCLUDING REMARKS	34
4.1	Recommendations	34
5.0	REFERENCES	36
5.1	Bibliography (Additional Reading)	38
	COMPENDIUM OF SELECTED STRUCTURAL ACCIDENTS / INCIDENTS	40
APPEN- DIX A	ACCIDENTS / INCIDENTS RESULTING FROM UNANTICIPATED HIGH LOCAL STRESSES (COMBINED WITH POSSIBLE MANUFACTURING DEFECTS)	Page
A.1	BOAC Comet G-ALYP & G-ALYY	A1
A.2	USAF Northrop F-89	A5
A.3	USAF Republic F-84	A6
A.4	USAF North American F-86	A8
A.5	USAF Boeing B-47	A9
A.6	USAF McDonnell-Douglas F-4	A11
A.7	Northwest Airlines Martin 202	A13
A.8	Argentine State Owned YPF AVRO 748	A14
A.9	Dan Air Airline Boeing 707-300	A16

TABLE OF CONTENTS (continued)

		Page
APPEN- DIX A	ACCIDENTS / INCIDENTS RESULTING FROM UNANTICIPATED HIGH LOCAL STRESSES (COMBINED WITH POSSIBLE MANUFACTURING DEFECTS) (cont.)	
A.10	Aer Lingus- Irish International Airlines Boeing 707-300	A19
A.11	USAF McDonnell-Douglas F-15C	A21
APPEN- DIX B	ACCIDENTS / INCIDENTS RESULTING FROM MANUFACTURING AND MATERIAL DEFECTS	Page
B.1	USAF Northrop F-5/T-38	B1
B.2	USAF Boeing KC-135	B3
B.3	USAF Douglas C-133	B7
B.4	Curtis Wright X-19 VTOL	B9
B.5	USAF General Dynamics F-111	B10
APPEN- DIX C	ACCIDENTS / INCIDENTS RESULTING FROM MAINTENANCE DEFECTS/DEFICIENCIES	Page
C.1	Beech 99 Commuter Aircraft	C1
C.2	Eastern Airlines Boeing 727	C3
C.3	American Airlines McDonnell-Douglas DC-10	C5
C.4	Japan Airlines Boeing 747SR	C7
C.5	China Airlines Boeing 747	C11
C.6	Chalk Airways Grumman Mallard G-73	C15
APPEN- DIX D	ACCIDENTS / INCIDENTS RESULTING FROM ENVIRONMENTAL DAMAGE	Page
D.1	British-European Airlines Vickers Vanguard 951	D1
D.2	Far Eastern Transport Boeing 737	D3
APPEN- DIX E	ACCIDENTS / INCIDENTS RESULTING FROM IMPACT FROM GROUND EQUIPMENT	Page
E.1	Alaska Airlines McDonnell-Douglas MD-80	E1
E.2	Varig Brazilian Airlines Boeing 747	E3

TABLE OF CONTENTS (concluded)

APPEN- DIX F	ACCIDENTS / INCIDENTS RESULTING FROM UNCONTAINED ENGINE FAILURES	Page
F.1	United Airlines McDonnell-Douglas DC-10	F1
F.2	National Airlines McDonnell-Douglas DC-10	F3
F.3	Air France Airlines Boeing 747	F5
F.4	UTAs Boeing 747	F6
F.5	Delta Airlines McDonnell-Douglas MD-88	F7
F.6	Mesa Airlines Bombardier Regional Jet CRJ 200	F9
F.7	American Airlines Boeing 767	F11
APPEN- DIX G	ACCIDENTS / INCIDENTS RESULTING FROM BIRD STRIKES	Page
G.1	Delta Airlines McDonnell-Douglas MD-88	G1
G.2	American Airlines Boeing 767	G2
G.3	USAF Lockheed C-130	G4
APPEN- DIX H	ACCIDENTS / INCIDENTS RESULTING FROM RUNWAY DEBRIS	Page
H.1	Air France Concorde	H1
APPEN- DIX I	ACCIDENTS / INCIDENTS RESULTING FROM EXPLOSIVE PENETRATIONS	Page
I.1	Qantas Airlines Boeing 747	I1
APPEN- DIX J	ACCIDENTS / INCIDENTS RESULTING FROM WFD	Page
J.1	Aloha Airlines Boeing 737-200	J1
J.2	U.S. Forest Service Lockheed C-130A	J6
APPEN- DIX K	HISTORICAL SUMMARY OF U.S. TESTING APPROACHES FOR DEMONSTRATING AIRFRAME FAIL- SAFETY	Page K1

LIST OF FIGURES

FIGURE		PAGE
1	Uncontained Rotor Statistics (1963-1989) [22]	15
2	Percentages Associated With Types Of Causes Associated With 37 USAF Structural Failures [28]	22
A1	BOAC Comet in Flight	A1
A2	Photo of Comet (G-ALYP) Reconstruction of Fuselage and Tail Units at Royal Aircraft Establishment at Farnborough during the Investigation of Accidents [A2]	A2
A3	Uncontained Running Cracks Led to Aircraft Breakup. Poor Detail Design of Cutouts Led to Running Cracks in the Highly Stressed Low Toughness Skin	A2
A4	Local Area that Had a Stop-Drilled Hole	A3
A5	Uncontained Running Cracks Caused the Breakup of this Hydro Test of the Retired Comet 1 (G-ALYU). Cracks Propagating from Forward Escape Hatch on the Port Side. Note that No Straps or Shear Tied Frames Were Used. No Crack Arrestment Capability was Provided by this Construction [A2]	A4
A6	Photo of F-89 Aircraft	A5
A7	Photo of a Pair of F-84 Aircraft in Flight	A6
A8	Photo of a Republic Swept Wing F-84F Aircraft	A7
A9	Photo of F-86 Aircraft in Flight	A8
A10	Photo of B-47 Aircraft in Flight	A9
A11	Sketch Illustrating Critical Locations of the B-47 Aircraft	A9
A12	Photo of F-4C and F-4E Aircraft	A11
A13	Sketch of F-4 Aircraft Illustrating Location Of Failure	A12
A14	Photo of Martin 202 Aircraft	A13
A15	Photo of AVRO 748 Aircraft	A14
A16	Sketch of AVRO 748 Aircraft Illustrating Failure Location	A15
A17	Photo of Boeing 707-300 Aircraft	A16
A18	Photo of Right Horizontal Stabilizer that Separated from B-707-321C Aircraft and Details of “Fail-Safe” Structure Associated with the Accident	A18
A19	Photo of Boeing 707-300 Aircraft	A19
A20	Photo of Section of Boeing 707-300 Aircraft Lost Due to Fatigue Failure	A20
A21	Photo of F-15 Aircraft in Flight	A21
A22	Artist’s Rendition of F-15C Forward Fuselage Separation	A21
A23	Location of Crack Site in F-15C Forward Fuselage Upper Longeron	A22
A24	Cracking Events Occurring in the F-15C Forward Fuselage Upper Longeron at FS 377	A23
B1	Two T-38 Trainers in Flight	B1
B2	Identification of Tool Damage Location and Resulting Wing Separation Point	B2
B3	Tool Damage Led to Early Fatigue Cracking and Resulting Failure of the Monolithic Wing	B2
B4	Photo of KC-135 in Flight	B3

LIST OF FIGURES (Continued)

B5	Illustration Shows Location of Fatigue Crack Resulting in a 28-Inch Panel Failure in Lower Surface of a KC-135 Wing (Fairchild AFB, February 1971)	B4
B6	Photo Illustrates the Critical Size of Fatigue Crack was Covered by the Fastener Countersink Making It Impossible to Detect by Visual Inspection	B5
B7	Photo of C-133 Transport Aircraft in Flight	B7
B8	Details of the Cracking that Led to Failure of C-133 Transport Aircraft	B8
B9	Photo of Curtis Wright X-19 Aircraft	B9
B10	Sketch of Flaw Details Associated with X-19 Aircraft Accident	B9
B11	Photo of F-111 Aircraft in Flight	B11
B12	Photo Illustrating Forging Flaw and Subsequent Fatigue Crack that Caused the Failure of F-111 Aircraft after 105 Hours of Flight Time	B12
C1	Photo of Beech Commuter Aircraft	C1
C2	Details of Maintenance Action that Led to Damage	C2
C3	Photo of Damaged Hole and Cracked Spar Cap	C2
C4	Photo of Boeing 727 Aircraft	C3
C5	Maintenance Action that Led to Skin Failure by Fatigue	C3
C6	Photos Illustrating the Structural Damage Resulting from Fatigue Skin Failure	C4
C7	Photo of DC-10 Aircraft	C5
C8	Diagrams Illustrating Nature and Result of the Maintenance Damage in the Cause of a DC-10 Pylon Failure	C6
C9	Photo of Boeing 747SR Aircraft	C7
C10	Sketches of Location of Failure in 747SR Rear Pressure Bulkhead	C8
C11	Construction Details Associated with Initial and Repaired 747SR Rear Pressure Bulkhead	C9
C12	Photos Illustrating Rivet Damage on 747SR Rear Pressure Bulkhead	C10
C13	Photo of Boeing 747-200	C11
C14	Crack Location under Edge of Repair Doubler [C9].	C12
C15	Quasi-stable Crack Growth Identifying Numerous Starter Cracks (Prior to Final Fracture) [C9]	C13
C16	Predicted Residual Strength vs. Crack Length [C9]	C13
C17	Photo of Grumman Mallard (G-73)	C15
C18	Photo of the Fracture Face of the Right Wing Rear Spar Cap [C13]	C17
D1	Photo of Vickers Vanguard 951 Aircraft	D1
D2	Sketch of Construction Details that Led to Corrosion and Subsequent Catastrophic Failure of the Vickers Vanguard 951 Aircraft	D2
D3	Photo of Boeing 737 Aircraft	D3
D4	Sketches Illustrating the Locations and Causes of Corrosion on B737 Aircraft	D4
D5	Photo of Skin Corrosion in Lower Lobe of B737 Aircraft.	D4
D6	Photo Illustrating Loss of Frame and Stringer Due to Severe Corrosion	D5
D7	Photos Illustrating Severe Corrosion of FEAT B737 Aircraft	D6
E1	Photo of McDonnell-Douglas MD-80 Aircraft	E1

LIST OF FIGURES (Continued)

E2	Photo of Skin Failure Following Ground Handling Damage	E2
E3	Photo of Boeing 747 Aircraft	E3
E4	Sketch Illustrating Location Of Handling Damage Induced Crack on the B747 Aircraft	E3
F1	Photo of McDonnell-Douglas DC-10 Aircraft	F1
F2	Photo of DC-10 Aircraft on Final Descent to Sioux City	F2
F3	Sketch of General Electric Engine Defect Size and Location	F2
F4	Photo of McDonnell-Douglas DC-10 Aircraft	F3
F5	Sketch Illustrating Location of Fuselage Damage Due to an Uncontained Engine Failure and Construction Details	F4
F6	Photo of Air France Boeing 747 Aircraft	F5
F7	Photos of Wing Damage on the B747 Aircraft Caused By Engine Failure	F5
F8	Photo of UTA Boeing 747 Aircraft	F6
F9	Photos of Wing Damage Caused by Engine Failure	F6
F10	Photo of McDonnell-Douglas MD-88 Aircraft	F7
F11	Photo of Engine and Fuselage Damage as a Result of Engine Failure	F8
F12	Photo of Fractured Pratt & Whitney Compressor Fan Disk	F8
F13	Photo of Bombardier Regional Jet CRJ 200 Aircraft	F9
F14	Photo of Damage Associated with Engine Failure	F10
F15	Photo of Damage Associated with Uncontained Rotor Failure in a GE CF6 Engine	F11
F16	Photo of B747 Fuselage with Disk Penetration Damage Caused by Uncontained Rotor Failure	F12
F17	Photo of B747 with Disk Embedded in No. 2 Engine Resulting from Uncontained Rotor Failure in No. 1 Engine	F12
F18	Photo of Engine Damage to the B747 Fuselage Resulting from Engine Failure	F13
G1	Photo of McDonnell-Douglas MD-88 Aircraft	G1
G2	Photo of Bird Strike Damage to Radome	G1
G3	Photo of Bird Strike Damage to B767 Aircraft Just below the Cockpit Windows	G2
G4	Photo of Bird Strike Damage to Underside of Fuselage of B767 Aircraft	G2
G5	Photo of Bird Strike Damage to Underside of B767 Fuselage Just Aft of the Radome	G3
G6	Photo of C-130 Aircraft.	G4
G7	Photo of Bird Strike Damage to Outside of the C-130 Aircraft	G4
G8	Photo of Bird Strike Damage to Front of C-130 Cockpit	G5
G9	Photo of Bird Strike Damage to Interior of the C-130 Aircraft	G5
H1	Photo of Concorde	H1
I1	Photo of a Qantas Airlines Boeing 747 Aircraft	I1
I2	Photo of Boeing 747 Fuselage after On-Board Explosion	I2

LIST OF FIGURES (Concluded)

I3	Close Up View of Boeing 747 Fuselage after On-Board Explosion	I2
I4	Alternate Close Up View of Boeing 747 Fuselage after On-Board Explosion Illustrating Loss of Structure	I3
J1	Photo of Aloha Airlines Boeing 737 Aircraft	J1
J2	Photo Illustrating Extent of Aircraft Damage to Boeing 737 Aircraft Following Failure Due To Widespread Fatigue Damage	J1
J3	Sketch Illustrating Side View of Fuselage with Missing Area of Boeing 737 Aircraft	J2
J4	Sketch Illustrating the Fuselage Missing Area from a View Looking Forward	J2
J5	Sketch Illustrating the Development of Small Fatigue Cracks in the Skin	J3
J6	Sketch Illustrating the Location of Small Fatigue Cracks in the Skin	J3
J7	Sketches Illustrating the Development of Small Fatigue Cracks in the Skin	J4
J8	Sketches Illustrating the Lap Splice Joint Designs of the B737 Aircraft	J5
J9	Photo of a US Forest Service/Hawkins & Power Aviation's C-130A [J3]	J7
K1	Boeing 707 Quonset Hut Test	K1
K2	Boeing 737 Quonset Hut Test Setup	K2
K3	Boeing 737 Blade Penetration	K2
K4	Arrested Two-Bay Crack with Fractured Frame in Boeing 737 Fuselage	K3
K5	DC-8 Wedge Penetration Tests	K4
K6	Details of DC-8 Arrested Fuselage Crack	K4
K7	View Inside the DC-8 Fuselage	K5
K8	DC-10 Fuselage Curved Panel Tests	K6
K9	DC-10 Curved Panel Fatigue Test Machine	K6

LIST OF TABLES

TABLE		PAGE
1	Roadmap for Accident/Incident Appendices	5
2	Accidents/Incidents Resulting from High Local Stresses	8
3	Accidents/Incidents Resulting from Manufacturing and Material Defects	10
4	Accidents/Incidents Resulting from Maintenance Damage/Deficiencies	11
5	Accidents/Incidents Resulting from Environmental Damage	13
6	Accidents/Incidents Resulting from Impact from Ground Equipment	14
7	Accidents/Incidents Resulting from Uncontained Engine Failures	16
8	Accidents/Incidents Resulting from Bird Strikes	19
9	Accidents/Incidents Resulting from Runway Debris	19
10	Accidents/Incidents Resulting from Explosive Penetrations	21
11	Accidents/Incidents Resulting from Widespread Fatigue Damage	23
12	Listing of Threats and Their Associated Mechanisms of Failure	24
B1	Listing of Annual Cracking Incidents on KC-135 Aircraft	B4
J1	Accident Aircraft C-130A History	J6
J2	Airworthiness Certificate Category and Operating Limitations	J8

LIST OF ACRONYMS

ACRONYM	MEANING
AD	Airworthiness Directives
AFRL	Air Force Research Laboratory
AIA	Aircraft Industries Association
AIB	Accident Investigation Board
AIDS	Accident/Incident Data System
API	Armor Piercing Incendiary
ASIP	Aircraft Structural Integrity Program
AW&ST	Aviation Week and Space Technology
BCAA	British Civil Aviation Authority
BEA	Bureaudende Tes et D'Analyse pour Secureti de L'Aviation
BMT	Boeing Materials Technology
BOAC	British Overseas Airways Corporation
BSC	Bird Strike Committee
CAB	Civil Aeronautics Board
CAR	Civil Aviation Requirements
CFR	Code of Federal Regulations
CFS	Center Fuselage Station
CWS	Center Wing Station
DADTA	Durability and Damage Tolerance Analysis
DoD	Department of Defense
DSG	Design Service Goal
DT	Damage Tolerance
EIFS	Equivalent Initial Flaw Size
FAA	Federal Aviation Administration
FAR	Federal Aviation Requirements
FOD	Foreign Object Damage
FSDO	Flight Standards District Office
FSFO	Flight Standards Field Office
FSFT	Full Scale Fatigue Test
GSHWG	General Structural Harmonization Working Group
H&P	Hawkings and Powers Aviation, Inc.
HEI	High Explosive Incendiary
IAW	In Accordance With
IBSC	International Bird Strike Committee
IED	Improvised Explosive Device
JSSG	Joint Services Specification Guide
MED	Multiple Element Damage
MISO	Manufacturing Inspection Satellite Office
MSD	Multiple Site Damage
NDI	Non-Destructive Inspection
NMAB	National Materials Advisory Board
NPRM	Notice of Proposed Rule Making

LIST OF ACRONYMS (Continued)

ACRONYM	MEANING
NTSB	National Transportation Safety Board
OEM	Original Equipment Manufacturer
POD	Probability of Detection
SAB	Scientific Advisory Board
SDR	Service Difficulty Report
SLL	Service Life Limit
SRM	Structural Repair Manual
SSID	Supplemental Structural Inspection Document
STC	Supplemental Type Certificate
TC	Type Certificate
T.O.	Technical Order
TOGAA	Technical Oversight Group on Aging Aircraft
USAF	United States Air Force
USFS	United States Forest Service
UTA	Union des Transports Ae'riens
WFD	Widespread Fatigue Damage
YPF	Yacimientos Petroliferos Fiscales

LIST OF SYMBOLS

SYMBOL	MEANING
da/dN	Fatigue Crack Growth Rate
K_{ISCC}	Threshold Stress Intensity Factor for Stress Corrosion Cracking
N	Fatigue Life Parameter (cycles)
S	Stress Parameter for Fatigue
ΔK	Range of Stress Intensity Factor in Fatigue

ACKNOWLEDGMENTS

First and foremost this report represents a joint effort between Joseph P. Gallagher, Charles A. Babish IV, and myself. I prepared an initial draft in 2008, however, it lacked the organization, format, references, editing and the technical review required for a reputable report. Because of the effort required and the concern that there may not be much interest in the subject, I had decided not to proceed forward towards publication. This is when Joe stepped in and volunteered to assist. Joe has been a close friend and colleague of mine since we worked together at WPAFB in the 1970s and he has nearly four decades of experience in structural analysis, fracture mechanics and fatigue. He personally reorganized and reformatted my early draft, performed a technical review, obtained independent data on several accidents / incidents and provided text to both the body of the report as well as the appendices. In addition, he worked directly with Chuck Babish, the current USAF Aircraft Structural Integrity Technical Advisor, to obtain concurrence and commitment to the goal that the report will be a living document, which would incorporate lessons learned and possible changes in requirements in the future. Chuck suggested numerous changes and additions. His contributions to Chapter 3, Maintaining Airworthiness, and Appendix A-11, the November 2007 F-15 accident, were particularly important.

In addition to reflecting Joe Gallagher's and Chuck Babish's extensive experience, the report reflects more than five and one half decades of my personal experiences in the development and application of damage tolerant design and analysis procedures directed at the improvement of the structural safety of aircraft and aerospace vehicles. The report is based on first hand experiences and philosophies, and includes inputs from many past and current associates at Boeing, Air Force, NASA, FAA, and the FAA's former Technical Oversight Group on Aging Aircraft (TOGAA). The contributions of Thomas Swift, formerly with Douglas Aircraft Co. and then with the FAA are particularly important. He provided inputs on the development of the DC-8 and DC-10 structures; he also contributed to several of the Accidents / Incidents included in the Appendices at the end of this report some of which were previously included in the TOGAA final report to the FAA dated August 24, 2004. Also, several of the Accidents / Incidents discussed have been previously reported by and commented on by Jack McGuire, the former head of Structures at Boeing Commercial Airplanes. The report also includes data developed by John W. Lincoln, my coworker at WPAFB for eight years and friend until his death in 2002. Comments on the report have been provided by my past TOGAA associates, Prof. James Mar formerly of MIT and Richard Tabery, former VP of United Airlines and many past and present Boeing structures engineers, but especially Jack McGuire, Pete Harradine, Gary Prescott and Steve Chisholm.

C.F. Tiffany

CHAPTER 1.0 - INTRODUCTION

Cracking and subsequent component failures due to fatigue, corrosion, stress corrosion and corrosion/fatigue are major threats to aircraft structural safety. Such cracking can originate from manufacturing defects, material defects, unforeseen high local stresses resulting from design and analysis errors or test deficiencies, environmental damage, and service induced maintenance deficiencies. Also, discrete source impacts from bird strike, ground equipment, dropped tools, runway debris, uncontained engine rotor failures and explosive penetrations are serious threats to structural safety. Although these impacts are generally accidental, they can inflict very large damage and should be protected against to the maximum practical extent. Eventually an operational limit will be reached in metallic structures with the onset of widespread fatigue damage (WFD) or generalized fatigue cracking. At that point safety can no longer be assured and the structural component(s) should be modified, or replaced. This report discusses the threats and provides a historical perspective as to how the military, the Federal Aviation Administration (FAA) and industry have dealt with these threats over the years.

The report includes a Compendium of Selected Structural Accident/Incidents. The Compendium is organized by Appendices that specifically address the results of the threats to structural safety. These accidents and incidents illustrate the oftentimes disastrous consequences of the threats. While there have been lessons learned from nearly all of the accidents and incidents, those that were seminal with respect to the design and certification of aircraft structures were the 1954 Comet failures, the 1958 B-47 accidents, the 1969 F-111 accident, the 1976 AVRO 748 accident, the 1978 Dan Air 707 Lusaka accident and the 1988 Aloha Boeing 737 accident. The Comet failures resulted in the use of fail-safe design in commercial aircraft; the B-47 accidents resulted in the development of the Air Force Aircraft Structural Integrity Program (ASIP); the F-111 accident accelerated the introduction of damage tolerance design requirements in military aircraft; the AVRO 748 and Dan Air Boeing 707 accidents resulted in complementing commercial fail-safe design with damage tolerance requirements; and the Aloha Boeing 737 accident brought attention to the importance that WFD has in limiting the safe operation of airplane structures.

The lessons learned from these past accidents/incidents and the changes in structural design, test and analysis requirements have been evolutionary in nature with some changes having much more of a positive impact than others. The change that had the greatest positive impact on the structural safety of commercial transport aircraft was the development of the fail-safe design concept, largely as a result of the Comet failures. This concept has undoubtedly prevented an untold number of catastrophic accidents (approximately 40 are mentioned in the Compendium, i.e., Appendices B.2, A.10, C.2, E.1, E.2, F.2-F.7, G.1-G.3, and I.1). However, not all commercial airplanes were designed to the Civil Aeronautics Board (CAB) fail-safe option [1]. Due to the state of the art of fracture mechanics in the 1950s, the CAB rule did have some shortcomings that became more apparent as a result of the AVRO 748 and Dan Air Boeing 707 accidents and the Boeing 737 Aloha accident. These accidents (along with advancements in fracture mechanics technology) resulted in the FAA incorporating damage tolerance based inspection requirements and full-scale fatigue test requirements in the Code of Federal Regulations (CFR), but unfortunately this came at the expense of reduced emphasis on fail-safe design. Contrary to the intentions of the Aircraft Industry Association (AIA) committee that

oversaw the change in the FAA regulation (i.e., amendment 45 to FAR 25.571 [2]) after the AVRO 748 and Dan Air accidents, the explicit fail-safe design requirement was inadvertently omitted.

In 1999 the FAA's Technical Oversight Group on Aging Aircraft (TOGAA) attempted to get the regulation amended to explicitly require fail-safe design of commercial transport aircraft; however, the effort failed when TOGAA objected to the changes that a joint U.S. and European working group (called the General Structures Harmonization Working Group, GSHWG) proposed. TOGAA recommended to the FAA that it was better to stay with the implicit fail-safe requirements included in the 1998 amendment 96 to FAR 25.571 [3] than accept the GSHWG proposal.

The need still exists today to have the FAR explicitly require that all safety-of-flight structure in commercial transport aircraft be designed to be fail-safe in spite of the fact that some manufacturers have such self imposed design requirements. The lack of such a rule could lead to a relaxation of self imposed requirements and subsequent catastrophic failures in the future.

With regard to military aircraft, the change that had the greatest positive impact on structural safety was the introduction of damage tolerance requirements in the early 1970s subsequent to the F-111 accident in 1969. While the introduction of ASIP in 1958 [4], was important, it still assumed flaw-free structure and promoted the use of single load path structure and safe-life concepts (conventional stress-life fatigue analysis and Miner's Rule). As a result many fatigue failures continued throughout the 1960s and early 1970s.

The 1969 F-111 accident highlighted the catastrophic effect that an initial material or manufacturing flaw can have on non-fail-safe structure. With the 1974 revisions to ASIP (in MIL-STD-1530A [5]), the introduction of detailed damage tolerance requirements (in MIL-A-83444 [6]) and the performance of Durability and Damage Tolerance Assessments (DADTAs) on all of the US Air Force aircraft, the losses of military aircraft due to structural failure were greatly diminished.

However, in recent years inspection reliability has become a significant issue both due to frailties of the nondestructive inspection (NDI) systems and concern over inspectors becoming complacent as a result of performing numerous repeat inspections looking for rogue flaws without any finds [7-10]. The inspection issue becomes even more acute as aging weapon systems approach the onset of WFD. The inspection burden and aircraft down times tend to overwhelm the depots and jeopardize both safety and operational readiness. To avoid this probability, the Air Force has established operational limits (i.e., service life limits) in each aircraft's Airworthiness Certificate. Also, the USAF has been promoting greater use and reliance on fail-safe design concepts, which require only visual inspections. During 2007 and 2008, C.F. Tiffany assisted the USAF Aeronautical Systems Center Engineering Directorate (ASC/EN) in drafting structural bulletins that address revisions in the damage tolerance requirements for fail-safe and non-fail-safe (i.e., slow crack growth) structures. The revisions for fail-safe and non-fail-safe structures are contained in Structures Bulletins EN-SB-08-001 [11] and -002, [12] respectively. Also, a third Bulletin (-003 [13]) was published on performing fail-safe assessments of current Air Force aircraft.

The report also discusses maintenance of airworthiness; this discussion is separated into three parts that address operational limits according to the USAF defined structural concepts:

- Multiple Load Path, Fail-Safe Structure
- Crack Arrest, Fail-Safe Structure
- Non-fail-safe, Single Load Path Structure

This approach was taken since it is clear that the operational limits on fail-safe structure are reached when the major components have reached the time when the onset of widespread fatigue damage has occurred. It is less clear what the operational limits should be on single load path structure.

For the multiple load path, fail-safe structure, the onset of widespread fatigue damage occurs when the crack population in the component has degraded the load carrying capability of the adjacent structure so that when the primary element fails, the adjacent structure can no longer carry the required residual strength load. This situation of widespread fatigue damage is referred to as multiple element damage.

For the crack arrest, fail-safe structure, the onset of widespread fatigue damage occurs when the population of small cracks within the component are of sufficient number size and density such that rapid crack propagation of the lead crack or inflicted damage will not be arrested and thus the required residual strength in the presence of the design damage size cannot be achieved. This situation of widespread fatigue damage is referred to as multiple site damage.

Single load path structure has been traditionally protected against structural failure using the damage tolerance (DT) concept of slow crack growth and DT-based inspections. It was assumed that one could continue inspecting such structures without end of life limits, until the economic and loss of readiness burden became intolerable. This assumption is re-examined and an operational limit based on durability-related fatigue cracking that overwhelms the inspection system is suggested.

For all three structural concepts, operational limits of USAF aircraft are ultimately dictated by the inability of the structure to maintain its required residual strength in the presence of damage at a structural risk level exceeding a single flight probability of failure of 10^{-5} per flight. To ensure continuing airworthiness, it is essential to take action (e.g., perform different types of inspections, replace the component or implement flight restrictions or groundings) to maintain the single flight probability of failure below 10^{-7} per flight and minimize exposure between 10^{-7} and 10^{-5} per flight according to MIL-STD-1530C.

This page intentionally left blank

CHAPTER 2.0 - THREATS

The purpose of this chapter is to discuss the threats to structural safety and to illustrate each threat's impact to the potential for aircraft accidents/incidents by a citing historical structural failures resulting from these threats. The serious threats to structural safety are:

- High Local Stresses
- Manufacturing and Material Defects
- Maintenance Defects/Deficiencies
- Environmental Damage
- Discrete Source Impact (sub-categories)
 - Ground equipment
 - Uncontained Engine Failures
 - Bird Strikes
 - Runway Debris
- Explosive/Ballistic Penetrations
- Excessive Operational Loads
- Widespread Fatigue Damage

Table 1 was created to provide a roadmap relating the threats to the Chapter 2 sections, to the corresponding appendix illustrating accidents/incidents associated with the threat and to summarize the number of accidents/incidents that a given appendix group contains.

Table 1. Roadmap for Accidents/Incidences Appendices

Threat	Sections	Appendix Group	Number of Appendices in Group
High local stresses	2.1	A	11
Manufacturing and material defects	2.2	B	5
Maintenance damage/deficiencies	2.3	C	5
Environmental damage	2.4	D	2
Impact from ground equipment	2.5.1	E	2
Impact due to uncontained engine failures	2.5.2	F	7
Impact due to bird strikes	2.5.3	G	3
Impact due to runway debris	2.5.4	H	1
Explosive/ballistic penetrations	2.6	I	1
Excessive operational loads	2.7	None	None
Widespread fatigue damage	2.8	J	2

Many early aircraft accidents/incidents resulted from high stress locations that nucleated fatigue cracks under operational loading. These high stress locations were typically not identified until the accidents/incidents occurred. The early accidents/incidents, however, were not just the result of the high local stress threat; the structures that failed typically were manufactured: 1) from high

strength materials having both low resistance to fatigue cracking and low crack tolerance (implying short final crack sizes), and 2) with manufacturing and/or material defects (resulting in life variability and which magnified the effect of high local stresses). The Comet problem (See Appendix A.1) in many respects was not that much different than the results observed with military airplanes designed in the 1950s and 1960s (See Appendices A.2 through A.6 and B.1 through B.4).

In the late 1950s, the solution to preventing catastrophic fatigue failures of commercial aircraft (and large military transport and bomber aircraft) was to ensure that the design resulted in a structure which had sufficient structural redundancy to maintain adequate residual strength after any structural element failed. Aircraft manufactured using the structural redundancy concept became known as fail-safe structure. The capability of fail-safe structure to carry the required residual strength was demonstrated initially by experimental testing, because analytical fracture mechanics had not yet matured. Appendix K describes the early development of fail-safe testing by US aircraft manufacturers. In these early years of establishing fail-safe structure, fracture mechanics had not been proven to support its use in design.

Operational lives were established using fatigue tests and design analyses utilized safe-life fatigue analysis methods based on elastic stress analysis, stress-fatigue life (S-N) curves, and Miner's Rule. This approach also incorporated the evolving technology of reliability analysis. The stress-fatigue life curves were based on smooth bar fatigue tests and notched coupon fatigue tests.

In the later part of the 1950s and beyond, part of the fatigue design verification usually included at least one full-scale fatigue test. One of the main functions of the full-scale fatigue test was to uncover local high stress locations which were not identified by the structural analysis. Many of the aircraft that were operating in the late 1950s and early 1960s did not have a full-scale fatigue test until after failures due to fatigue in high stress locations occurred. For military aircraft, it was realized in the late 1950s that operational loads monitoring was a key element required to establish operational lives beyond the initial full-scale fatigue test. Unfortunately, in the early years, the safe-life fatigue analysis approach did not accurately capture the rates at which fatigue damage was accumulating in service.

For those aircraft that had design operational lives validated by full-scale fatigue tests (FSFT) there still were early fatigue failures in service; these in-service failures were found to start at manufacturing and material defects. For example, the F-5 (Appendix A.6) was fatigue tested to 16,000 cyclic test hours without failure, but failed in 1900 hours due to a tool mark in a highly stressed radius at the speed brake cut-out in the lower wing surface, the KC-135 (Appendix B.2) was fatigue tested to 55,000 cyclic test hours without failure, but experienced 28 instances of unstable cracking (at 1,800 to 17,000 flight hours) in the wings due to poor quality fastener holes in a very low toughness material, and the F-111 (Appendix B.5) was eventually cycled to 40,000 cyclic test hours (10 lifetimes) but failed in 105 hours due to a relatively large forging flaw in a low toughness material. The lack of correlation between operational lives validated during the design phase and those experienced during operational experience resulted in significant concern to the aircraft community.

During the late 1960s and beyond, analytical fracture mechanics was demonstrated for accurately predicting: 1) critical crack sizes in aircraft structure, 2) crack growth behavior, and 3) the effects of various structural configurations on crack behavior (both slow crack growth and critical crack extension). This capability made it possible to extend the structural design tool box to include and anticipate the effects of manufacturing and material defects in aircraft structures. The capability of fracture mechanics tools to predict the crack growth behavior in aircraft structure made it the “approach of choice” for determining inspection requirements and operational limits (in essence replacing the safe-life approach). The fracture mechanics tools provided the ability to correlate fatigue test results (crack behavior) with expected behavior in service.

However, there were still challenges correlating full-scale fatigue test results and operational experience. Two aircraft (i.e., the F-4, see Appendix A.6, and the Dan Air Boeing 707, see Appendix A.9) were subjected to severe operational cyclic load spectra that were not simulated in the original fatigue test and for one aircraft (the Aer Lingus Boeing 707, see Appendix A.10), there is considerable doubt as to whether this aft area of the fuselage was included in the original 707 hydro-fatigue test.

Ultimately, the combination of experimental testing, operational load monitoring and analytical fracture mechanics has provided the structural engineer with the tools for: 1) predicting the residual strength of aircraft structure experiencing crack damage; and, 2) predicting fatigue crack growth for use in establishing inspection requirements.

2.1 High Local Stresses

During the late 1940s and early 1950s the primary emphasis in the development of military jet aircraft was static strength and there were no design service life requirements. As these aircraft went into service operation, structural failures began occurring and there were many fatal accidents, believed caused by high local stresses. It was quickly determined that during service, fatigue cracks were initiating at high stress concentration zones within the structure. During this early period, there was no requirement for full-scale fatigue testing which in many cases would have revealed the cracking sites not uncovered during initial design analysis. Appendix A provides summaries of accidents/incidents associated with high local stresses. See Table 2 for a listing of accidents/incidents covered.

Appendix A.1 discusses the two accidents associated with catastrophic failures of the first jet passenger aircraft, the Comet. The catastrophic failure of these two Comet airplane fuselages in 1954, due to uncontained fatigue cracking, had high local stresses around cut-outs not disclosed by the original fatigue test. During the failure investigation, manufacturing defects were also found in the recovered aircraft. Traditionally, Comet failures have been associated with high local stresses, so we have elected to include these accidents under this threat category.

Table 2. Accidents/Incidents Resulting from High Local Stresses

Appendix	Aircraft Accident/Incident Identified	Time Period
A.1	BOAC Comet G-ALYP and G-ALYY	Jan & Apr 1954
A.2	USAF Northrop F-89	Spring & Summer 1952
A.3	USAF Republic F-84	1952-1954
A.4	USAF North American F-86	Throughout 1955
A.5	USAF Boeing B-47	Mar & Apr 1958
A.6	USAF McDonnell-Douglas F-4	1960s and early 1970s; Jan 1973 (Nellis AFB)
A.7	Northwest Airlines Martin 202	Aug 1948
A.8	Argentine State Owned YPF AVRO 748	Apr 1976
A.9	Dan Air Airlines Boeing 707-300	May 1977
A.10	Aer Lingus-Irish International Airlines Boeing 707-300	Sep 1970
A.11	USAF McDonnell-Douglas F-15C	Nov 2007

During the early jet age, failures also occurred in military combat aircraft. Failures that occurred in three different fighter aircraft models (i.e., F-89, F-84, and F-86) are briefly discussed in Appendices A.2 through A.4, respectively. The exact causes of these accidents remain uncertain; however, they were generally attributed to fatigue cracking due to high stresses resulting from excessive external loads, poor design and/or a manufacturing deficiency. While these accidents were tragic, the problem of structural fatigue of military aircraft did not reach crisis proportions until 1958, when there were five B-47 losses in the period of March 13 through April 15, 1958 as discussed in Appendix A.5. As a result of these B-47 losses, General Curtis LeMay, the USAF Chief of Staff, directed the Air Force to initiate an Aircraft Structural Integrity Program (ASIP) [14, 15].

The new 1958 Air Force ASIP required a “safe-life” fatigue design approach based on the assumption of initially flaw free structure. A stress-life fatigue analyses (using Miner’s rule) plus a scatter factor of four were required to arrive at the safe-life estimates. Likewise full-scale fatigue tests were required to four times the design life goal to validate the operational life. Furthermore, a flight loads monitoring program (operational surveys) was initiated for military aircraft to determine if the aircraft were being operated to the spectrum to which it was designed. This approach was used throughout the 1960s and early 1970s. There was no specific fail-safe requirement, since it was believed that combat aircraft could not tolerate the weight penalties involved. Nevertheless, the airplane manufacturers generally designed the military transports to be fail-safe to the CAR 4b270 requirements with an eye on getting potential derivative commercial aircraft certified by the commercial regulatory authorities.

While flight restrictions and modifications, which were imposed on the B-47, were able to prevent any further losses due to fatigue before they were retired by 1966, the new safe-life design and test requirements did not prevent failures and the loss of many other military aircraft in the 1960s and early 1970s directly due to fatigue.

Several of these later failures are discussed in the compendium including the F-4 (Appendix A.6), F-5/T-38 (Appendix B.1) and F-111 (Appendix B.5). As discussed in Section 2.2, it was the F-111 accident that precipitated the Air Force to revise their ASIP, where they abandoned the safe-life approach to fatigue design and incorporated damage tolerance requirements.

Many fatigue cracks initiate at high local stress concentrations that are not analytically predicted during initial design, but are later revealed during component or full scale fatigue testing. Once identified, these locations should be added to the fracture-critical locations and either be modified to reduce the local stress concentration or monitored by inspections based on the predicted growth of the maximum probable initial flaw that may exist at these locations. However, as described above, in the early 1950s (and much later for some commercial aircraft) fatigue tests were generally not performed prior to cracks occurring during service operation and these cracks oftentimes caused catastrophic failures. This was the case for all of the accidents described in Appendices A.2 through A.5 plus A.7 and A.8.

Even with timely full-scale fatigue tests, the loads and local stress distributions are sometimes not adequately represented and local stress concentrations are identified by cracks or failures that occur in service. For example, the predicted loads and/or load spectrum may be deficient and thus the actual loads or load spectrum may not be represented accurately in the fatigue test spectrum. Two examples are shown in Appendices A.6 and A.9. In these examples, the failures resulted from more severe cyclic load spectra than predicted combined with manufacturing and/or service induced defects.

While catastrophic failure was avoided because of the fail-safe design of the fuselage, the specific cause of the Aer Lingus-Irish International Airlines Boeing 707-300 depressurization described in Appendix A.10 is not completely understood. The 707 fuselage was subjected to a hydro-fatigue test; however, the main deck cargo door, where this failure occurred, apparently was not included in the original 707 hydro-fatigue test. The fuselage crack and depressurization was precipitated by a fatigue failure of a fuselage frame with fatigue cracking also observed in adjacent frames. This could have been caused either by 1) high local stresses not accounted for in the analyses and not included in the hydro-fatigue test or 2) manufacturing or maintenance damage. Due to the lack of a specific evidence of such pre-existing damage the authors have included it in the high local stress category.

2.2 Manufacturing and Material Defects

There are a myriad of possible manufacturing defects that can become initiation sites for fatigue cracking. Fastener holes have been particularly prone to a variety of drilling defects (e.g., burrs, tears, score marks, double drilled holes, burns, nicks, mislocated holes, short edge margins). Fastener hole defects account for many past fatigue cracking incidents and failures in both military and commercial aircraft. However, there have also been cracking incidents and failures due to other types of manufacturing deficiencies such as weld defects (e.g., shrinkage cracks, tungsten inclusions, sharp edged porosity), heat treat cracks, scribe marks, sanding marks, gouges, dents, grinding burns, arc burns, tool marks, scratches and machining discrepancies.

In addition, a number of different material defects exist that can and have become initiation sites for fatigue and/or stress corrosion cracking. These include inclusions, laps and sharp edged porosity in steel, aluminum and titanium forgings, inclusions and sharp edged porosity in steel aluminum and titanium castings, potential separation of large grain microstructure in beta titanium, delaminations in some thick aluminum plate and composite materials and hydrogen embrittlement (blisters and cracks) in steel forgings. For example, it was a forging lap that initiated the fatigue crack that caused the crash of the F-111 at Nellis AFB in December of 1969 and caused the USAF to re-examine its approach to fatigue design and resulted in the development of damage tolerance requirements (See Accident/Incident described in Appendix B.5 in the Compendium).

Discussions of some past failures that initiated at manufacturing and material defects are provided in Appendix B (See Table 3 for a listing of these structural failures). Appendix B includes several examples where defects resulted in the loss of the aircraft. It also includes several examples where fail-safe construction prevented an element failure from becoming a catastrophic loss of aircraft.

Table 3. Accidents/Incidents Resulting from Manufacturing and Material Defects

Appendix	Aircraft Accident/Incident Identified	Time Period
B.1	USAF Northrop F-5/T-38	Apr 1970
B.2	USAF Boeing KC-135	1966-1977
B.3	USAF Douglas C-133	Feb 1970
B.4	Curtis Wright X-19 VTOL	Mid-1965
B.5	USAF General Dynamics F-111	Dec 1969

A USAF study of 12 fleets of aircraft in the late 1960s indicated that more than 56% of all fatigue cracks initiated from pre-existing manufacturing and material defects [16]. Recognizing that it would be impossible to predict and model all of the potential types of manufacturing defects, the Air Force with the concurrence of an AIA committee decided (in the early 1970s) to assume an initial corner flaw (i.e., 0.05-inch corner crack) as the surrogate for all the possible types of fastener hole defects. Unless a different initial flaw size could be justified, this flaw size was then used in crack growth analyses to establish safety limits and inspection requirements. In addition, an initial surface flaw was selected as the surrogate for possible manufacturing defects away from fastener holes.

While there has been continuing pressure over the years to relax these initial USAF flaw size assumptions, three and one-half decades of success is strong testimony for continuing the current approach. Nevertheless, the success of a slow crack growth damage tolerance approach depends on in-service inspections, which have not always been reliable, and does not protect against larger damage sizes that occasionally occur. Therefore, wherever possible new aircraft should be designed to be fail-safe.

Manufacturing and materials defects not only affect aircraft structures but also other critical subsystem structural components. One good example of this is the propulsion system structural failure that caused the United Airlines 1989 DC-10 accident in Sioux City, Iowa (see Appendix F.1). The root cause of this accident was a hard alpha inclusion in a titanium forging that initiated a crack that propagated to failure. The control of these types of defects has generally been through improved processing (e.g., triple vacuum melt and hydrogen removal through baking) and factory inspections. The maximum probable initial flaw size used in the establishment of inspection requirements has generally been based on inspection capabilities. Inspection capabilities for propulsion systems have been normally determined using NDI probability of detection (POD) experiments, rather than an assumed initial flaw size.

In the case of the F-111, it became apparent that it was not possible to rely on NDI to detect the very small flaws that could result in another catastrophic failure and as a result the cold proof test was used to establish the maximum probable initial flaw sizes in the high strength D6AC steel. This test was initially repeated at 1500 hour intervals then later extended to 3000 hours based on a revised assessment of aircraft usage and predicted crack growth rates.

In the case of the F-22 titanium castings, the maximum probable initial flaw size developed for shell and hard alpha inclusions was much larger than the USAF standard assumed initial flaw sizes. General Moore discussed the challenges this problem represented as part of his 2007 ASIP Conference presentation [17]. Thus, it is obviously a gross oversimplification to say that the Air Force inspection requirement is simply one-half the time for the traditionally assumed initial flaw (e.g., the 0.05 inch corner crack) to grow to failure.

2.3 Maintenance Damage/Deficiencies

The same type of defects that occur during the initial manufacturing can often and do occur during modifications, maintenance and repair activities. In fact, the likelihood of occurrence may be higher than it is in the factory depending upon where the activities take place and the skill and training of the mechanics and the inspectors, as well as the processes/procedures used to ensure that repairs are properly designed and installed. The accidents/incidents summarized in Table 4 provide examples of failures due to service induced maintenance damage.

Table 4. Accidents/Incidents Resulting from Maintenance Damage/Deficiencies

Appendix	Aircraft Accident/Incident Identified	Time Period
C.1	Beech 99 Commuter Aircraft	July 1990
C.2	Eastern Airlines Boeing 727	Dec 1988
C.3	American Airlines McDonnell-Douglas DC-10	May 1979
C.4	Japan Airlines Boeing 747SR	Aug 1985
C.5	China Airlines Boeing 747	May 2002
C.6	Chalk Airways Grumman Mallard G-73	Dec 2005

Appendices C.1 and C.2 describe incidents where the maintenance damage did not result in fatal accidents. Appendix C.1 involves a non-fail-safe commuter aircraft where the fatigue crack initiated from maintenance damage and had degraded the residual strength below limit load, but the crack was fortunately discovered in a routine inspection before it could cause failure. Appendix C.2 is an example where the maintenance damage caused unstable crack propagation in the fuselage of an airliner, but the fail-safe design caused crack arrest thus avoiding a probable catastrophic failure.

Appendices C.3 through C.6 all involve fatal accidents resulting from maintenance damage and/or deficiencies due to non-compliance with the Original Equipment Manufacturing (OEM) Structural Repair Manual (SRM). The DC-10 accident (Appendix C.3) was the result of the airline using an expedited engine removal and reinstallation procedure (not recommended by the OEM) that inflicted undetected damage to the engine pylon. While fail-safety had been a major consideration in the design of the pylon, it was not fail-safe for the particular damage that caused this accident. The Grumman Mallard accident (Appendix C.6) was another non-fail-safe commuter aircraft where the fatigue cracking resulting from a faulty repair in the wing spar cap. This crack went undetected thus causing the failure of the spar and loss of the airplane. Two of the six fatal accidents (Appendices C.4 and C.5) were caused by uncontained depressurization of the fuselages. In both cases, the fail-safe fuselage designs were compromised by faulty repairs of previous tail-strike damage. In one case (Appendix C.5) the repair was not designed and manufactured in compliance with the OEM's SRM and in the other case (Appendix C.4) it was not manufactured and installed in accordance with the design.

To improve the integrity of the repairs of pressurized fuselages the FAA issued an Advisory Circular on December 14, 2000 [18]. This was followed on November 20, 2007 with an Advisory Circular that addressed requirements for damage tolerance inspections for repairs and alterations [19].

2.4 Environmental Damage

2.4.1 Corrosion and Fretting

In most cases general pitting corrosion is visually detected and repaired before safety becomes an issue. However, there have been a few cases in the past where corrosion either went undetected or was ignored and resulted in catastrophic accidents. Table 5 identifies two accidents resulting from corrosion. The first accident occurred in October 1971, when a British European Airlines Vickers Vanguard 951 had the aft pressure bulkhead (which was not fail-safe) fail due to corrosion. This is briefly described in Appendix D.1. The second accident resulted in the loss of a Far East Air Transport Boeing 737 in 1981 due severe corrosion. It appears that this accident occurred as a result of gross negligence. The corrosion was so severe over a wide area of the lower fuselage that the skin thickness was reduced by over 70% and the frames were severely corroded. The fail-safety of the structure was destroyed and the residual strength reduced to below the design operating stress levels. See Appendix D.2.

Table 5. Accidents/Incidents Resulting from Environmental Damage

Appendix	Aircraft Accident/Incident Identified	Time Period
D.1	British-European Airlines Vickers Vanguard 951	Oct 1971
D.2	Far Eastern Transport Boeing 737	Aug 1981

Subsequent to the introduction of DT based inspections on Air Force airplanes in the 1970s, it was expected that DT inspections would detect any cracking that would initiate from corrosion pits or due to fretting before the cracks become critical. It seemed inconceivable that cracks could initiate and grow to a critical size faster than a pre-existing 0.05-inch corner flaw or a 0.125-inch deep surface flaw could reach critical size. However, this assumption needs to be carefully re-examined in cases where one is counting on the benefits of cold working or interference fit in the establishment of the initial DT inspection.

2.4.2 Stress Corrosion and Corrosion Fatigue

Subcritical crack growth in aluminum alloys caused by a combination of sustained load and a stress corrosion mechanism generally occurs in the plane parallel to the primary applied stresses (i.e., the short transverse direction) thus very large cracks occur and are generally detected before structural failure occurs. This is particularly true of the older 7000 series aluminum alloys with T6 tempers, which typically have very low threshold stress intensity factors for stress corrosion cracking (i.e. measured by a low K_{ISCC}) in the short transverse direction. The K_{ISCC} values for aluminum alloys in the long transverse and longitudinal directions are usually very high and thus sustained stress crack growth is not a problem until the crack approaches its critical size. Below the threshold for stress corrosion cracking, the time at stress or the cyclic frequency seems to have very little effect on fatigue crack growth and thus corrosion/fatigue should not be an issue in this regime. In other words, if sustained stress crack growth does not occur until the crack approaches its critical size, it will have negligible effect on total crack growth life.

On the other hand, in high strength carbon steel alloys the K_{ISCC} values can be very low in all grain directions and stress corrosion can occur even in relatively benign environments. Both sustained stress crack growth and corrosion/fatigue are important issues in these alloys. High strength carbon steels have typically been used in landing gear components, flap tracks, pressurized fuselage ramp hooks, and in gears and fittings in rotorcraft where resistance to wear is an important consideration. Although a number of measures are generally taken to preclude stress corrosion such as protective coatings (from the environment) and shot peening to introduce favorable compressive residual stresses, numerous component failures have occurred. Fortunately landing gear failures have generally occurred during taxing and turning and have not been catastrophic. Also, most of the in-flight airplane failures have involved fail-safe components and thus have not resulted in loss of the aircraft. On the other hand, there have been a few rotorcraft failures, which were catastrophic.

Stress corrosion and corrosion/fatigue can also be issues in some titanium alloys. However, titanium is much more corrosion resistant than steel and aluminums in normal humid environments, but can be reactive when exposed to some chemicals. For USAF aircraft designed during the 1970s and beyond, the fracture mechanics design approach to address estimating

sustained cracking and corrosion fatigue lives was to: 1) utilize testing and material data (da/dN vs. ΔK) to ensure that the aircraft structure is designed to operate in the appropriate environment; and 2) chose materials which have high K_{ISCC} values. A discussion of this approach can be found in Ref 20.

2.5 Discrete Source Impact

Survivability and vulnerability requirements and the Live Fire Test Law (10 U.S.C. 2366) are resulting in a higher degree of redundancy and fail-safety in the military's newer aircraft than has existed in some of its older combat aircraft. The need to be able to sustain armor piercing incendiary (API) and high explosive incendiary (HEI) hits and hydraulic ram effects without loss of the aircraft is forcing the use of high fracture toughness materials and multiple load path structural configurations. This tends to result in an inherent degree of fail-safety in new aircraft designs even though the aircraft are certified damage tolerant based on slow crack growth concepts. For the F-22 this is discussed in some detail in the 1995 NRC report entitled, "Live Fire Testing of the F-22" [21]. Other than battle damage, aircraft structure has often been subjected to many other types of discrete source impact damage. These include impacts from dropped tools, collisions with ground equipment, uncontained engine failures, bird strike, runway debris, and on board explosions.

2.5.1 Ground Equipment

Since damage caused by discrete source impact or enemy fire is generally visually detectable by ground personnel or in-flight evident, special NDI inspections are generally not necessary. However, some damage resulting from impact from tools or ground equipment is not always immediately evident. This may be particularly true of structures made from fiber composites. In such cases, catastrophic failure has been prevented due to the large damage capability afforded by fail-safe design. Two examples of this are listed in Table 6 and are discussed in Appendix E.

Table 6. Accidents/Incidents Resulting from Impact from Ground Equipment

Appendix	Aircraft Accident/Incident Identified	Time Period
E.1	Alaska Airlines McDonnell-Douglas MD-80	Dec 2005
E.2	Varig Brazilian Airlines Boeing 747	May 1988

Probably the three major threats for non-combat discrete source impact are uncontained engine failures, bird strike and runway debris. These are discussed separately below in subsections 2.5.2, 2.5.3 and 2.5.4, respectively

2.5.2 Uncontained Engine Failures

Since the inception of commercial jet aircraft more than five decades ago there have been many structural failures of gas turbine engine rotors due to many causes such as foreign object damage (FOD), manufacturing defects, material defects, design errors and environmental damage. Fatigue crack growth often occurs prior to the actual component failures.

Probably one of the most comprehensive studies of aircraft gas turbine engine rotor failures in United States commercial aviation was performed by Galaxy Scientific Corporation in conjunction with the FAA Technical Center in Atlantic City, N.J. This study is reported in the FAA report; AD-A256-045 [22] dated June 1992 and is entitled, "Statistics on Gas Turbine Engine Rotor Failures that Occurred in U.S. Commercial Aviation during 1989". The statistics were based on data reported in FAA Service Difficulty Reports (SDR) and in the Accident/Incident Data System (AIDS) and concentrated on a detailed evaluation of 1989 data, however, it also reported on uncontained engine rotor failures over the 27- year period from 1963 through 1989.

In 1989 there were 435 gas turbine engine rotor failures reported in U.S. commercial aviation. Rotor fragments were generated in 156 of these failures and of these 24 were uncontained. An uncontained rotor failure is defined as a rotor failure that produces fragments which penetrate and escape the confines of the engine casing and which could inflict damage on aircraft structure, systems and/or personnel. Of these 24 uncontained failures, 18 involved blade fragments and 6 involved disk fragments. Figure 1 shows the distribution of uncontained engine rotor failure for the years 1963 through 1989.

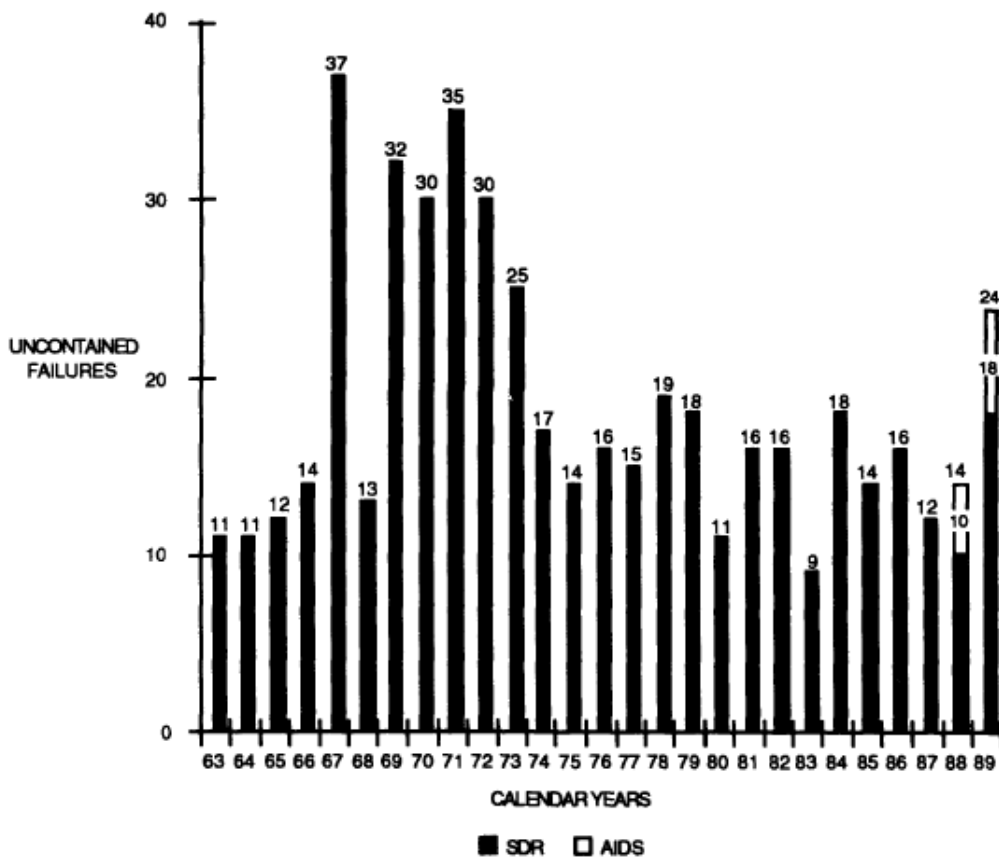


Figure 1: Uncontained Rotor Statistics (1963-1989) [22]

It should be noted that, prior to 1988, the data in Figure 1 include only the uncontained rotor failures that were reported in SDRs and not from AIDS, so those earlier years may underestimate the number of failures. In total the figure shows about 500 uncontained failures in the U.S. over the 27-year period.

Although fragments from uncontained rotor failures have inflicted serious damage to commercial (and military) aircraft structures, it has been relatively rare that the damage has resulted in loss of commercial aircraft and/or loss of life. This can be directly attributed to the decision made in the early 1950s by the large US commercial airplane manufacturers (i.e., Boeing, Douglas and Lockheed) to design their structures to be fail-safe and later by the CAB to include the fail-safe option in the Civil Aviation Requirements (CAR).

Table 7 summarizes a number of aircraft accidents/incidents resulting from uncontained engine failures and the types of airframe damage that are created during such an event. Detailed discussion of these accidents/incidents can be found in the corresponding Appendix F.

Table 7. Accidents/Incidents Resulting from Uncontained Engine Failures

Appendix	Aircraft Accident/Incident Identified	Time Period
F.1	United Airlines McDonnell-Douglas DC-10	Jul 1989
F.2	National Airlines McDonnell-Douglas DC-10	Nov 1973
F.3	Air France Airlines Boeing 747	May 1971
F.4	UTA Boeing 747	Jan 1985
F.5	Delta Airlines McDonnell-Douglas MD-88	Jul 1996
F.6	Mesa Airlines Bombardier Regional Jet CRJ 200	Jan 2007
F.7	American Airlines Boeing 767	Jun 2006

One example of a 1989 uncontained engine failure that did result in the loss of the aircraft was the United DC-10 accident in Sioux City, Iowa. While the airframe structural damage did not directly result in the accident, an engine disk fragment cut through an 8-inch wide passage containing hydraulic lines for the three redundant hydraulic systems. It cut all three lines draining the hydraulic fluid and causing loss of the airplane control systems. The crew had to try and control the airplane by varying engine thrust between the two wing mounted engines, but were unable to prevent the crash landing. Further detail as to the cause of this accident is briefly discussed in Appendix F.1.

Appendices F.2 through F.6 provide several examples of where the structural fail-safety was able to prevent loss of the aircraft. Appendix F.7 shows an uncontained rotor failure where both engines were disabled on a Boeing 767 during a ground run.

2.5.3 Bird Strikes

It has been recognized for many years that aircraft collision with birds as well as other types of wildlife (e.g., deer on runways) can result in damage to aircraft and in some instances pose a threat to structural safety. The FAA has established bird strike structural design requirements and in 1991 joined with DOD and the Department of Agriculture to form the “Bird Strike Committee USA” to collect bird strike data, and facilitate information exchange between the various stakeholders.

The design requirements for Part 25 transport aircraft are specified in the CFRs. The design requirements are that the aircraft must be able to safely complete the flight after an 8 pound bird strikes the empennage or a 4 pound bird strikes anywhere else on the airplane (e.g., the fuselage or wings) at the design cruise speed. It also says that the windshield must be able to withstand the impact of a 4-pound bird without penetration at the design cruise speed. Nevertheless, aircraft occasionally encounter larger birds and very often encounter smaller birds.

The Joint Service Specification Guide JSSG-2006, Aircraft Structures [23], provides an opportunity to define design requirements for bird strikes (as bird FOD) in Section 3.2.24.1 as well as for verification requirements in Section 4.2.24.1; however, tailoring necessitates that bird sizes and aircraft speed be chosen consistent with the aircraft missions. The JSSG document provides rationale, guidance, lessons-learned, and instructions for bird strikes in Appendix A section A.3.2.24 [23]. In Appendix A, the guidance is applicable to any type of FOD including that due to bird strikes and states that “The maximum acceptable frequency of loss of the air vehicle or the incapacitation of the crew due to FOD impact is 1×10^{-7} per flight.” Figure 8 in Appendix A of JSSG-2006 provides a graphical summary of the relative percentages of bird strikes as a function of aircraft structural component.

The Bird Strike Committee (BSC) USA reported 7500 bird strikes with US civil aircraft in 2007 [24] and the Air Force reported 5,000 with USAF aircraft in 2006 [24]. In addition the BSC estimated that 80% of the strikes to civil aircraft go unreported. The BSC also reported that during the 15 year period ending in 2006 the cost to civil aviation was over \$600 million per year, there were more than 30 incidents necessitating emergency landings and since 1988, 219 people have been killed worldwide as a result of bird strikes.

From FY1985 to 2007, there has been approximately 3300 wildlife strikes on USAF aircraft in the United States annually, and over this period the number has been increasing (in FY2007 4780 wildlife strikes occurred) [25]. From FY1973 to FY2007 (a 35 year time period), the USAF Safety Center recorded 42 aircraft destroyed by bird strikes, an average of just over one a year [25].

In a 2003 report [26], John Thorpe, the honorary chairman of the International Bird Strike Committee (IBSC), noted that the major bird strike threat to airliners and executive jets has been bird ingestion in the engines. Bird impacts on the windshields and the airframes have been lesser threats. On the other hand, for general aviation airplanes and helicopters accident rates are higher and bird impact on windshields and airframes were the major threats. He surmised that this was due to the fact that these types of aircraft operate at lower altitudes (i.e. higher density of birds)

and the fact that these aircraft are usually designed and built to lower structural standards than the large transport aircraft. He also pointed out that fatal accidents of jet airliners as a result of bird strikes are extremely rare. He noted that up to 2003 there had only been one fatal accident of a jet-powered airliner in over one billion flying hours. This was the Ethiopian Airlines Boeing 737 that crash landed near Bahar Dar, Ethiopia in 1988 due to loss of propulsion. This aircraft encountered a flock of pigeons shortly after takeoff and ingested birds in both engines causing the engines to surge and then lose power. The airplane was forced to make a wheels-up landing in a field a few miles from the airport. The airplane caught fire on impact and 35 of the 104 persons on board died.

While there has only been this one fatal bird strike accident of a jet airliner through 2002, the IBSC stated that there have been two other fatal propeller airliner accidents resulting from bird ingestion in the engines and one resulting from a bird strike on the airframe. Also, there have been several jet airliner bird strike accidents where the airplane was destroyed but there were no fatalities and there have been numerous aircraft that have been damaged by bird strike (to engines, airframe and/or windshields), but have been repairable.

The commercial airline accident attributed to bird strike that had the most fatalities was a turboprop; an Eastern Airline Lockheed Electra. On October 4, 1960, the Electra plunged into Boston Harbor shortly after taking off from Logan Airport, killing all but 10 of the 72 persons aboard. The presence of many dead birds on the Logan runway indicated that the accident might have been caused by ingestion of birds into the aircraft's engines. Subsequent investigations provided evidence that Starlings were ingested in the No. 1, 2 and 4 engines. The No. 1 engine shut down and the No. 2 and 4 engines had intermittent loss of power. This caused the aircraft to lose speed, stall and dive into the harbor.

The fatal propeller airliner accident due to bird strike on the airframe was a United Airlines Vickers Viscount. This accident is noteworthy in that it had a direct impact on regulatory design requirements. As reported by the NTSB, on November 23, 1962, this aircraft was struck by whistling swans while cruising at 6,000 feet on a flight between New York and Washington. A swan struck the leading edge of the left horizontal tail and exited through the rear elevator surface causing the complete separation of the left horizontal tail and loss of control of the aircraft. The airplane crashed and none of the 17 persons on board survived. It was this accident that resulted in the "eight pound bird strike design requirement" for tail surfaces on transport aircraft.

In addition to the non-fatal U.S. Airlines Flight 1549 (Airbus A320) that crash landed in the Hudson river on January 15, 2009 after ingesting geese in both engines, there have been several other non-fatal accidents of jet airliners that resulted in the total loss of the aircraft. These include a McDonnell Douglas DC-10 in New York in 1975, a Boeing 737 in Belgium in 1978 and an Airbus A300 in India in 1986. All resulted from bird ingestion in the engines.

Three examples of commercial and military transport aircraft that have survived significant bird strike damage without loss of the aircraft or any fatalities are listed in Table 8 and briefly described in Appendix G.

Table 8. Accidents/Incidents Resulting from Bird Strikes

Appendix	Aircraft Accident/Incident Identified	Time Period
G.1	Delta Airlines McDonnell-Douglas MD-88	Feb 2008
G.2	American Airlines Boeing 767	Apr 2001
G.3	USAF Lockheed C-130	Aug 2005

Compliance with the FAR bird strike design criteria and the OEM’s fail-safe design requirements has significantly enhanced the bird strike resistance of transport aircraft. It is doubtful that additional structural design requirements to further improve bird strike resistance of transport aircraft are either necessary or justified. Improving the resistance of the smaller aircraft and helicopters to withstand bird strikes seems desirable.

2.5.4 Runway Debris

The most serious accident that resulted from runway debris occurred to the Concorde supersonic transport aircraft, which was developed to provide rapid air transportation between continents. The accident resulted from runway debris that caused a tire to destruct/disintegrate and a major tire part impacted and damaged the integral fuel tank under the left wing. The impact not only caused a local penetration but also resulted in hammer shock damage to the fuel tank, resulting in further structural damage to the airframe. Table 9 lists the appendix (H.1) that summarizes the accident and its causes.

While FOD, such as resulted in the Concorde accident, does periodically cause airframe structural damage as described by a presentation by Delta Airlines [27], it is more frequently a serious worry for engine damage. Airports and military bases have FOD prevention activities that effectively reduce the potential for aircraft and engine damage. These activities are focused on clearing runways of debris before aircraft flights start using the runway. However, based on the runway debris that has been found embedded in aircraft tires, relatively large pieces of debris (bolts, tie down anchors, pieces of tire, etc.) could be flung into the airframe if the tire disintegrates and releases the embedded debris. This threat is largely mitigated to ensure safety by incorporating fail-safe concepts into those aircraft structural zones likely to experience FOD.

Table 9. Accidents/Incidents Resulting from Runway Debris

Appendix	Aircraft Accident/Incident Identified	Time Period
H.1	Air France Concorde	Jul 2000

2.6 Explosive/ Ballistic Penetration of the Airframe

The military has long considered the threats associated with ground based weapon systems/ground fire and have design and test procedures in place to ensure that ballistic penetrations do not result in the immediate loss of aircraft. Typically, to ensure aircraft safety, the areas of the aircraft subject to the ballistic threat are designed to be fail-safe. This fail-safe structural redundancy is verified by testing as described in the beginning of Section 2.5.

Over the years there have been a number of civil aircraft lost as a result of explosive penetration of missile warheads and on-board improvised explosive devices (IEDs) as a result of terrorist acts. For example, between 1978 and 1999 more than 40 civilian aircraft were hit by shoulder-fired missiles (e.g., the Soviet SA-7). While more than half of the aircraft (i.e., about 25) crashed, some were able to sustain the damage inflicted due to fail-safe structural design and land safely. World wide there were about 600 deaths as a result of these crashes. During approximately the same time period (i.e., 1971 and 1996) there were 42 in-flight IED attacks and 19 on-ground IED attacks. Of the 42 in-flight attacks there were 25 aircraft losses and 17 survived. Of the 61 attacks there were 40 aircraft losses and 21 were repairable. The most notable of the IED attacks was the loss of Pan American Airlines Boeing 747 (Flight No. 103) over Scotland in 1988.

While the military have developed countermeasures that can defeat shoulder-fired missiles, the airlines consider such countermeasures to be uneconomical. Consequently, commercial airliners remain virtually defenseless against this threat. It appears that the most effective defense to date has been for government and law enforcement agencies to keep the missiles out of the hands of potential terrorists. Economically viable countermeasures may still be an option in the future. With regard to protecting against IEDs, a 2001 British Civil Aviation Authority (BCAA) study concluded that the threats cannot be eliminated but may be minimized through rigid security and the use of hardened baggage containers, protective liners for the fuselage skin, and possible further improvements in the fail-safe structural design [28].

In addition to explosive penetrations of the airframe from terrorist acts there have been a few accidents and incidents caused by unintentional explosions. The most notable was the 1996 TWA 800 accident, where fuel vapors in the center fuel tank of the Boeing 747 were ignited from an electrical short and the tank exploded in flight killing all the passengers and crew. Two other explosions of fuel tanks have occurred on Boeing 737 aircraft during ground operations. The most recent occurred on March 3, 2001 when a Thai Boeing 737-400 was destroyed by fire on the apron at Bangkok Airport. Only the crew was aboard at the time, one of which was killed. The other occurred in 1990 and was a Boeing 737-300 operated by Philippine Airlines. Obviously these failures are not the result of inadequate structural design or structural maintenance and the structure cannot be expected to survive such events.

However, there was a recent unintentional explosion that occurred on a Qantas Airline 747 (See Table 10) where the large damage fail-safe structural design performed exactly as anticipated and the plane landed safely without injury to the passengers or crew. While the accident investigation is still ongoing, the initial findings indicate that the failure was the result of an oxygen bottle explosion. This incident is briefly discussed in Appendix I.1.

Table 10. Accidents/Incidents Resulting from Explosive Penetrations

Appendix	Aircraft Accident/Incident Identified	Time Period
I.1	Qantas Airlines Boeing 747	Jul 2008

As described above, several airliners were lost as a result of catastrophic explosions caused by terrorist acts and unintentionally due to ignition of fuel vapors or from explosive cargo. Obviously, such failures are not the result of inadequate structural design or maintenance and if the explosive force is of sufficient magnitude fail-safe design may not be able to contain the damage so as to allow a safe landing. However, fail-safe design has in some cases been able to contain the large damage caused by internal explosions, such as illustrated by the recent Qantas Airlines incident briefly described in Appendix I.1.

2.7 Excessive Operational Loads

An early recognized threat to structural safety was the application of an overload that exceeded the aircraft design requirements; such overloads induced by various causes have resulted in almost immediate catastrophic failures. Operational loads that have caused structural failures were the result of excessive flight and/or ground loads (with or without pilot input or caused by flight control system errors), excessive gust loads, excessive wind shear loads, acoustic loads, vibrational instabilities due to flutter, transonic panel flutter, tail and/or outer wing panel buffet, “whirl mode” aeroelastic phenomenon, harmonic oscillations, or other possible phenomenon due to aerodynamic excitations and aeroelastic responses.

Babish [29] summarized all 37 USAF aircraft losses attributed to structural failures (as defined by the USAF Safety Center) that have occurred to since 1972. Babish determined that seven of the 37 structural failures were attributed to overloads caused by pilot error, flight control system errors or to a combination of these two errors. Figure 2 provides a summary of the percentages of catastrophic aircraft structural failures due to non-combat causes of the 37 aircraft.

While excessive operational loads can be and have been important threats to aircraft structural safety that have caused both military and commercial accidents (e.g., Lockheed Electra, C-141, F-15, F-16, B-52, Lockheed L-1011, Airbus A-320, Douglas DC-9, Boeing 747, etc.), they are beyond the scope of this report. Knowledge of the operational loads and the potential for excessive operational loads of is a key part of the structural design process. It is expected that a future report will address the threat of excessive operational loads.

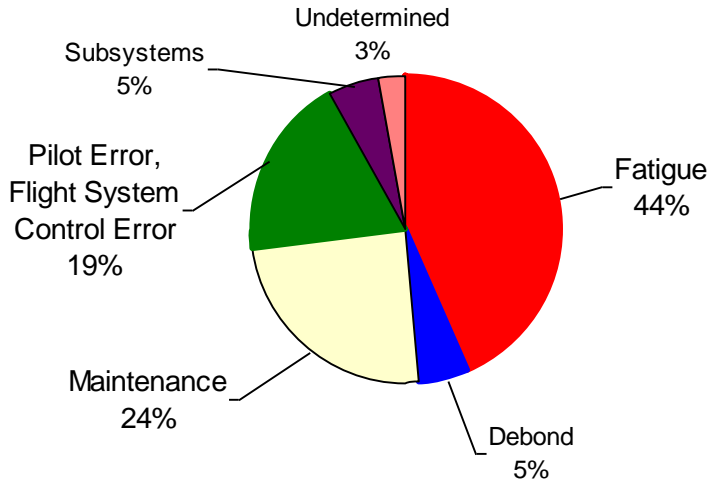


Figure 2: Percentages Associated with Types of Causes Associated with 37 USAF Structural Failures [29]

2.8 The Onset of Widespread Fatigue Damage (WFD)

When aircraft reach or exceed their design lives as adjusted for their actual usage, the number of cracking sites in fracture-critical areas continue to increase (i.e., fatigue cracks initiate at the lower stress concentrations and less severe manufacturing and material defects). As long as these cracks can be detected and repaired prior to reaching their critical sizes, the integrity of slow crack growth designs can be maintained; however, when cracking occurs in multiple locations the vulnerability of slow crack growth designs to inspection misses will increase and the large damage residual strength of fail-safe designs can be lost. When cracking occurs in adjacent load paths in multiple load path fail-safe designs (i.e., multiple element damage, MED) or within the load path in crack arrest fail-safe designs (i.e., multiple site damage, MSD), the large damage residual strength can be lost.

Loss of fail-safety due to either the actual onset of WFD or the threat of WFD has been a serious structural safety issue for both commercial and military aircraft for many years; however, there have been relatively few accidents or serious incidents that are directly attributable to WFD. This has been due to inspection, repair, modification, component replacement and actual aircraft retirement actions that have been taken to protect structural safety. For example, in the late 1960s, the onset of WFD resulted in extensive inspections and center wing box replacements in the C-130B and early E models; in the 1970s the threat of WFD resulted in the initiation of a major wing modification program (i.e., the H-Mod Program) for the C-5A; in the 1990s, the

onset of WFD in the E-8C lower wings, led to the replacement of affected wing panels and the onset of WFD resulted in bonded doubler and station 405 chordwise joint modifications in the C-141 wings. In addition, the threat of WFD in the wing spanwise splices contributed to retiring the C-141s with the last retirement occurring in 2006. Also, a decision to replace center wing boxes in additional C-130 aircraft occurred in the mid-2000s. Additional details on many of these actions are provided in Appendix A of the National Materials Advisory Board (NMAB) report [30].

Probably, the two major accidents resulting directly from the WFD threat were both on aircraft operating under the FAA Civil Aircraft Rules and, in both cases, the National Transportation Safety Board (NTSB) criticized the FAA for not mandating recommended inspection and maintenance requirements. These accidents were the 1988 Aloha Airlines Boeing 737 accident and the 2002 United States Forestry Service Lockheed C-130A accident. These two accidents are referenced in Table 11 and described in the Compendium of Accidents/Incidents within Appendices J.1 and J.2, respectively.

Table 11. Accidents/Incidents Resulting from Widespread Fatigue Damage

Appendix	Aircraft Accident/Incident Identified	Time Period
J.1	Aloha Airlines Boeing 737-200	Apr 1988
J.2	US Forest Service C-130A	Jun 2002

As aircraft age, inspection reliability becomes ever more important (i.e., safety becomes more and more dependent on finding and repairing these cracks) and the inspection burden and airplane down times can overwhelm the operators and depots and jeopardize operational readiness. A critical issue is to predict when this is likely to happen, so as to provide adequate lead-time to prepare and obtain funding for the airplane replacement or modifications. The military (USAF and US Navy), the commercial airlines and the OEMs have NOT done a good job at this.

The authors believe that the most valuable tool for predicting the onset of WFD or when durability-related generalized fatigue cracking is likely to occur, is through the use of teardown inspections of both full-scale fatigue test articles and high time/usage airplanes. Assuming that the crack growth models have been validated for the fracture-critical areas, the findings from these teardown inspections can be used to analytically develop equivalent initial flaw size (EIFS) distributions. These, in turn, can then be analytically projected forward using the same crack growth models and the actual usage spectra to predict current and future crack distributions. These crack distributions can then be used to assess the risk of failure at any specific critical location as well as when the cracks will likely be of sufficient size and density to cause loss of fail-safety or when the inspection system required to protect slow crack growth designs will be completely overwhelmed and safety severely jeopardized.

The key to having a believable risk analysis depends on having believable crack distributions, which can only be obtained if good EIFS data are obtained from: 1) full-scale fatigue test teardown inspections and validated crack growth models for the structure being analyzed; or, 2) teardown inspections of actual high time/usage aircraft plus validated crack growth models.

2.9 Summary of Threats and Their Associated Mechanisms

Table 12 summarizes the threats to structural safety and their associated mechanisms of failure. Five of the threats typically result in fatigue failures in the structure; such failures have been most difficult to anticipate primarily due to the large number of variables which can affect the times to develop critical crack sizes in the operational environment. The design engineer has utilized fracture mechanics technologies and the results from full-scale fatigue test to mitigate many of these threats. However, as aircraft structures are used beyond their initial intended design life goals, new unidentified cracking sites and cracking behaviors are again leading to new catastrophic structural failures, The fatigue mechanism has been the dominant cause for past structural accidents/incidents.

Table 12. Listing of Threats and Their Associated Mechanisms of Failure

Section	Threat	Mechanism of Failure	No. of Examples in the Compendium
2.1	High Local Stresses	Fatigue	11
2.2	Manufacturing/Material Defects	Fatigue	5
2.3	Maintenance Damage/Deficiencies	Fatigue	5
2.4	Environmental Damage	Corrosion (material loss)	2
2.5	Impact from Ground Equipment	Fatigue	2
2.5	Impact due to Uncontained Engine Failures	Abrupt Cracking	7
2.5	Impact due to Bird Strikes	Abrupt Cracking	3
2.5	Impact due to Runway Debris	Abrupt Cracking	1
2.6	Explosive/Ballistic Penetrations	Abrupt Cracking	1
2.7	High Operational Loads	Overload	not included in report
2.8	Widespread Fatigue Damage	Fatigue	2

As described by this report, the various threats of impact can result in either immediate or delayed aircraft structural failures. The abrupt cracking failures, caused by penetration due to impacts, ballistic damage or explosions, are threats that have been largely addressed by developing structural redundancies and fail-safe concepts into the airframe.

While most structural engineers believe that the problems associated with high operational loads have been solved, accidents/incidents continue to be observed as a result of unusually high operational loads caused pilot error or faulty flight control systems. Many airplanes have been saved by the 1.5 factor of safety used to establish ultimate design loads.

With aircraft operating in aggressive environments, the potential for time-dependent attack provides opportunities for corrosion attack (material loss mechanism), corrosion fatigue, delamination/degradation of polymeric composites, and debonding of adhesively bonded joints.

While the time-dependent attack mechanisms degrade the strength over time in service, to date they have been responsible for a limited number of catastrophic accidents. With proper maintenance, and scheduled inspections to address the damage that results from environmental attack, it is expected that this threat can be mitigated.

CHAPTER 3.0 - MAINTAINING AIRWORTHINESS

As discussed in Chapter 2, cracks represent the major threat to maintaining structural safety (airworthiness). Engineers have evolved DT structural concepts to protect structural components from these threats. Structures are normally classified in one of two design categories: fail-safe and non-fail-safe.

Fail-safe structures are designed to contain relatively large, visually-obvious crack damage from causing catastrophic failure for a defined time period. Fail-safe structures generally require less in-service maintenance and less intense inspections than those of the non-fail-safe variety. Determining safe periods of operations between inspections require an understanding of the nucleating fatigue crack populations in the unfailed parts of the structure.

Non-fail-safe structures can be designed to be structurally safe using the slow crack growth design concept and DT based inspections to prevent a crack, if present, from growing to a size that would cause catastrophic fracture of the component and thus loss of the aircraft. Safe periods of operation between inspections are established based on slow crack growth behavior for the type of cracks that could exist in the structure.

A study of aging aircraft structures reveals that despite the structural category, a damage tolerance design concept can be overcome by durability-related fatigue cracking. This chapter reviews DT structural design concepts and the operational limits associated with each damage tolerance design concept utilized to control the effects of cracks on structures.

As further discussed below, it should be recognized that the operational limit associated with a structural component is not necessarily the service life for the aircraft, since modifications to that component, or even a change to the DT design concept, can extend the operational limit for that component. In the past, owner/operators have invested in major modifications to KC-135, C-5A, E-8C, C-130B/E, A-10, Boeing 737 and other aircraft, to maintain airworthiness while continuing to satisfy mission and operational requirements. It should also be noted that the Air Force has recently been establishing Service Life Limits (SLL) for their aircraft, which define the time that corrective actions such as modifications or component replacements are required to ensure continued airworthiness. These service life limits should be considered to be synonymous with the operational limits described in this report and as proposed by the FAA in a 2006 Notice of Proposed Rule Making (NPRM) to be mentioned later. They are not absolute limits in that they can be extended once corrective actions have been implemented.

The eventual aircraft retirement (i.e., service life) generally involves multiple considerations well beyond just structural modification requirements. Note however, if the operational limit (or SLL) for a structural component is reached and no action is taken, structural safety is compromised and the risks of catastrophic aircraft failures are high.

To maintain structural airworthiness, the Aircraft Structural Integrity Program described in MIL-STD-1530C [31] provides overall direction and dictates when action must be taken based on the risks of catastrophic structural failures. Section 5.5.6.3 of MIL-STD-1530C indicates that:

1. If the probability of catastrophic aircraft structural failure is at or below 10^{-7} per flight, the risk is considered adequate to ensure safety for long-term military operations.
2. If the probability of catastrophic aircraft structural failure exceeds 10^{-5} per flight, the risk should be considered unacceptable.
3. If the probability of failure is between these two limits, consideration should be given to mitigating risk through inspection, repair, operational restrictions, modification, or replacement.

Thus, the operational limit for any type of USAF structure (fail-safe or non-fail-safe) is given by item 2 above, i.e., the operational limit is reached when the single flight probability of failure reaches 10^{-5} per flight. Within the USAF, the 10^{-5} per flight limit can only be exceeded if the service component executive accepts the risk of continuing flight to meet mission objectives. Recently the Air Force has provided additional guidance in three 2008 Structures Bulletins, EN-SB-08-001,-002 and -003 [11-13] to specifically address how operational limits for fail-safe and non-fail-safe (single load-path) structures might be predicted. As discussed in these Structures Bulletins, the approach to predicting operational limits, and the validation of these limits will vary depending on the damage tolerance design concept, choice of materials and design stress levels. For fail-safe structure, the structural operational limits are reached when the onset of WFD has been reached. For the USAF this is equivalent to reaching the upper risk limit, 10^{-5} per flight, for a catastrophic structural failure to occur.

There is a coupling between the MIL-STD-1530C and these recent Air Force Structural Bulletins relative to establishing operational limits for aircraft structure to ensure maintaining airworthiness. In some respects, the Structural Bulletins provide guidance in the absence of current information within the Joint Service Specification Guide, JSSG-2006 [23]¹.

The authors also note that in 2006, the FAA issued a NPRM [32] on Widespread Fatigue Damage (which would require the operators to establish operational limits). As of August 2009, the FAA had not yet released a final rule on this matter. In addition to predicting when structural safety will be jeopardized due to the onset of WFD, as part of their policy change, the civilian aircraft authorities should provide guidance on the validation and enforcement of operational limits as well as to describe the actions that must be taken to protect the structural safety after the limits have been reached and until the airplane structure is replaced or modified..

Generally, the predictions of the onset of WFD in fail-safe structure are heavily guided by the results of the FSFT and its teardown inspection. Typically, the onset of WFD is reached at the end of the durability life when many cracks are noticed at multiple locations in the structure. For the USAF, MIL-STD-1530C suggests that the test life for the FSFT be extended beyond two design service lives (based on the design spectrum), because the extensive cracking associated with the onset of WFD does not always occur within the two lifetime test period. So unless the time when the onset of WFD is revealed by the FSFT, estimates of this time are analytically made based on EIFS data and expected crack growth behavior collected from coupon and feature

¹ The structural bulletins document the USAF recommended changes to Ref. 23; before incorporating such information into Ref. 23, coordination with the US Navy will be required.

tests. In either case, the onset of WFD is not expected to occur within one design lifetime of operation.

Prior to approaching the estimate of the onset of WFD and durability-related fatigue cracking, it is necessary to validate the estimate. This can be done by: 1) conducting at least partial teardown inspections of high time/usage aircraft; 2) operating a robust surveillance program (suggested by section 5.4.3.3 in MIL-STD-1530C) with good feedback on damage found to the structures community (so that additional focused inspections of new cracking zones can be conducted to verify the general nature of the cracking); and, 3) possibly conducting an additional FSFT to a spectrum that more closely represents that which the fleet is flying. If it turns out that the time estimate for the onset of WFD was conservative, additional testing and analysis is required. A number of questions arise subsequent to the establishment of the time period for the onset of WFD. These are documented within EN-SB-08-001 for fail-safe structure.

Some further background and comments are provided in the numbered sections below.

3.1 Multiple Load Path Fail-Safe Structures

With the multiple load path fail-safe structural design concept, the structure must retain its required residual strength for a safe period of operational usage after the failure of a load path due to any reason (e.g., manufacturing or maintenance induced defect, accidental damage, environmental damage or discrete source damage) and whenever the failure might occur. The adjacent load path or paths provide the second line of defense against catastrophic failure. It is this adjacent structure that then controls the period of time that the aircraft is fail-safe. With the eventual occurrence of MED the residual strength of the adjacent structure will be degraded. The key is to predict when the MED (associated with durability-related fatigue cracking) has progressed to the point such that it is likely that a fatigue crack of critical size under the redistributed loads could exist in the adjacent structure.

An acceptable deterministic approach (based on initial crack sizes, sized as durability initial crack sizes) to predicting when MED could occur is described in Structures Bulletin EN-SB-08-001 [11]. A probabilistic approach (i.e., risk analysis), for predicting when a crack of critical size (under the redistributed loads) could exist in the adjacent structure, is also acceptable providing reliable crack population data are available to conduct such an analysis.

The questions that arise if the fail-safe operational limit is reached and there have been no failures are:

- Has the fail-safe capability really been lost by virtue of MED in the adjacent structure?
- What is required to validate whether or not it has occurred?
- If so, how can the safety be protected until the airplane structure is replaced or modified?
- And, if MED has not yet occurred, how can the operational limit be extended? Some of the approaches to answering these questions are given below.

It may require at least a partial teardown inspection of a high usage airplane to determine whether or not the onset of MED has occurred when the predicted fail-safe operational limit has

been reached. This is particularly important if the predicted critical crack sizes are very small and thus not detectable without fastener removal and non-visual inspections.

If it is concluded that MED does exist, the short term alternatives are: 1) groundings; 2) severe operational restrictions to reduce stress levels (and thus increase the predicted critical crack sizes) and slow the rate of crack growth; or, 3) DT slow crack growth inspections or proof testing (if practical) to guard against failure of either the primary or the adjacent structure load paths until the structure can be replaced or modified.

If it is concluded that MED has not yet occurred a careful teardown inspection of a high usage airplane would be required plus a reassessment of when it is likely to occur. In addition, consideration should be given to conducting an additional FSFT (or at least a component test) of an existing in-service aircraft to a spectrum that is representative of the aircraft operational spectra. Any FSFT should be followed with a careful teardown inspection.

3.2 Crack Arrest Fail-Safe Structures

Probably the best examples of crack arrest fail-safe structures are the pressurized fuselages on commercial and military derivative transport aircraft. With this fail-safe concept, a crack in a skin panel may attain critical size but the rapid fracture is arrested or contained because of design features such as tear straps and/or shear tied frames. Ever since the Comet disasters in 1954, the aircraft industry has strived for fail-safety through the selection of tougher materials, stress levels and the incorporation of design features that provide for crack arrest. For example, a historical summary of US testing methods for achieving fail-safe crack arrest structures is provided in Appendix K.

The threat to the structural safety of crack arrest fail-safe structure (as well as to multiple load path fail-safe structure) is WFD. While the specific type of WFD that threatens multiple load paths is MED, the threat to crack arrest fail-safe structure is MSD, which is defined as, a type of WFD characterized by the simultaneous presence of fatigue cracks in the same structural element, such that fatigue cracks may coalesce with or without other damage leading to a loss of required residual strength. The prediction of the fail-safe operational limit for crack arrest fail-safe structure thus depends on predicting when the MSD will reach sufficient density and size where the required fail-safe residual strength can no longer be maintained. Again, the MSD event occurs as a result of numerous nucleated durability-related fatigue cracks.

Some experimental results reported by Jim Maclin, in a 1991 Boeing Commercial Airplane Group paper [33] provided evidence of the significant effect that MSD has on fail-safe residual strength. These test results from mechanically fastened aluminum panels have shown that very small MSD in fastener holes (e.g., ~ 0.02-inch to 0.04-inch cracks) ahead of the arrested crack can have a significant effect on the fail-safe residual strength (e.g., a 20 to 30% reduction in residual strength). If such MSD existed in a pressurized fuselage and the design two-bay-damage occurred (due to whatever reason), it would be very unlikely that there would be a safe decompression. Indeed this is what happened when the 1988 Aloha Boeing 737 accident occurred. In the Aloha accident, small MSD existed in several bays ahead of the lead crack that had formed as a result of MSD cracks coalescing together. Because of the MSD that existed

ahead of the lead crack, the lead crack did not arrest at the two-bay-crack size and a large portion of the upper fuselage was blown away, as shown in Appendix J.1.

Since such small cracks (e.g., ~0.02-0.04-inch) can cause loss of fail-safety, the prediction of the onset of WFD (or MSD) becomes one of predicting when durability-related crack nucleation will occur. Unfortunately, fatigue nucleation analyses (regardless of the life prediction methodology) are notoriously unreliable for predicting when this will occur. The best measure of when the onset of MSD will occur is from crack size data collected from the teardown inspection of the FSFT article. This is particularly true for pressurized fuselages, since the pressure cycle is the primary fatigue load and the test spectrum generally represents the actual operational spectrum quite well. However, if the onset is to be quantified, the fatigue test duration needs to be sufficiently long so that MSD occurs. If it does not occur in the required two-lifetime durability test then one can be quite confident that the fail-safe operational limit is greater than the design lifetime.

Not all MSD situations involve small cracks interacting with a large crack. For the C-130 rainbow fitting, small durability-related fatigue cracks nucleated in individual bolt-hole nodes of the fitting. The rainbow fitting is a bolted joint which attaches the outer wing structure to the center wing. When a bolt hole durability-related fatigue crack grew to a size of ~0.085-inch, the crack rapidly extended across the bolt hole node (failing the node) and then arrested with a size ~2-inch long. The small durability-related fatigue cracks challenged NDI capability, but 2-inch cracks could easily be detected with existing field equipment. The real challenge to protect airworthiness, however, was to ensure that no simultaneous bolt-hole node failures existed in any set of three adjacent nodes in the fitting. Analysis showed that at least three simultaneous, adjacent bolt-hole node failures with their 2-inch long cracks were required to reduce the level of residual strength below the design requirement. In this MSD case, since inspections could detect the presence of the 2-inch cracks at failed bolt-hole nodes, it was possible to provide an inspection option and to reduce the risks of catastrophic failure and thus allow sufficient time to start replacing high time rainbow fittings throughout the force, without grounding actions. This MSD case involved the interactions of three relatively large cracks within the structural element.

For structure other than the pressurized fuselage that may rely on crack arrest fail-safety (e.g., wing and empennage skin and stringer panels), the teardown inspection of the FSFT is probably still the best source for developing the predicted fail-safe operational limits. For such structure, the MSD cracks, obtained from the full-scale fatigue test can be analytically backtracked to develop an EIFS distribution. One can then analytically predict the growth of this distribution (using the same crack growth model) for the actual usage spectrum and perform a risk analysis to predict when the MSD will be of sufficient size and quantity to cause the fail-safe residual strength to fall below the required level. The time, when the fail-safe residual strength falls below the required level, is the fail-safe operational limit.

Validation of the fail-safe operational limit would require a teardown inspection of a high usage airplane once the aircraft is approaching the predicted limit. If there is no evidence of MSD at the predicted limit then extending this limit would probably require additional FSFT evidence. TOGAA [34] suggested this approach in discussions of the FAR 25.571 Amendment 96, which requires that there shall be full-scale fatigue test evidence that WFD (MSD) will not occur within the design service goal (DSG). Thus, if a high time/usage aircraft teardown inspection validated

the presence of MSD and that the fail-safe operational limit had been attained (i.e., the fail-safety had been jeopardized) then flight restrictions plus slow-crack-growth (DT) inspections could be imposed (as an interim measure) until the structure is modified, replaced or the airplane retired. For the USAF, it is necessary that the risk of catastrophic structural failure never exceed the 10^{-5} per flight limit established by MIL-STD-1530C.

As with the multiple load path fail-safe structure, when fail-safety is lost in crack arrest fail-safe structure, one can attempt to manage the structure with slow crack growth DT based inspections or with periodic proof testing until the structure is modified or replaced. If neither of these options can be applied, the airplane should be grounded and the structure must be modified or replaced at the fail-safe limit.

3.3 Non-Fail-Safe / Single Load Path Structures

With truly single load path structures, there is no second line of defense to structural element failure. Catastrophic failure must be avoided by detecting subcritical cracks before they reach their critical sizes (i.e., the first and only line of defense). While the assumed (surrogate) 0.05-inch initial corner crack has been effective in protecting against rogue manufacturing defects in metallic structures, single load path structures are still vulnerable to other threats that fail-safe designs can protect against. While defining the safe operational limits for fail-safe designs is relatively straightforward, it is more difficult to define a specific operational limit for single load path structures.

When the USAF damage tolerance requirements were originally developed in the early 1970s, it was believed that the DTbased inspections would protect single load path structures against rogue flaws (as well as most other types of defects) indefinitely. As the airplane got older and there were more and more critical areas to be inspected, and there was more and more durability related cracking in these critical locations, it was thought that the economic burden associated with all of the inspections and repairs would eventually force major modifications.

Thus, it was thought that inspections and modification would protect the structural safety while economics and readiness would dictate the service life. Obviously, the problem with this scenario is that it assumes that: 1) all potential critical cracking locations are identified; 2) adequate inspection approaches are designed to detect cracks at these critical locations; 3) the inspectors are adequately trained to apply the necessary NDI methods at the critical locations, 4) all the required inspections will be performed as required; 5) the required inspections will reliably detect all cracks before these cracks reached their critical sizes; and, 6) that the depots have the resources (budget and skilled people) to address the increased inspection and repair burden in a timely manner.

As discussed in a 2007 Aging Aircraft Conference paper [7], these assumptions are now believed to be false. In fact, the poor inspection reliability could jeopardize safety well before the onset of cracking events at multiple inspection locations. For a single load path element/component, if the inspection reliability is poor at even a single inspection location, that is experiencing frequently occurring cracks, the individual inspection location crack population may overwhelm the inspection capability. Compounding the problem is that some military aircraft have reached or are approaching the onset of durability related cracking at multiple locations. While inspection

reliability needs to be improved to protect against early failures, operational limits need to be developed and enforced so as to help minimize the risk of encountering catastrophic failures as a result of the inspection system missing a significant crack. A significant crack is one that has a size that is large enough that it will grow to failure between inspections.

For truly single load path structures, the issue associated with establishing operational limits for inspectable structures is primarily a function of the difficulties associated with adequately performing inspections to ensure that no crack in the structure can grow to its critical size before the next inspection. If cracks are occurring at multiple locations² simultaneously (a type of widespread fatigue damage), the inspection system [7] can be severely challenged to detect any and all significant cracks that may be present at locations where a crack could cause a catastrophic failure of the element/component/airframe.

To further complicate the-cracks-growing-simultaneously at multiple locations situation, for an aging aircraft, while most critical locations are known and recognized, as a result either from design (analysis and testing) experience or from prior in-service cracking experience, not all potential critical locations show themselves until an accident occurs. (Typically, such accidents occur after the structure has exceeded its demonstrated fatigue life, i.e., exceeded $\frac{1}{2}$ the equivalent flight hours associated with the full-scale fatigue test.)

For aging single load path structures, the occurrence of durability-related fatigue cracking constitutes a type of generalized fatigue damage where multiple locations are simultaneously experiencing durability-related cracking. The cracks at these multiple locations within the structural element may interact or not. From experience, the multiple cracking locations in truly single load path structures do not interact with each other and do not influence the damage behavior at other critical locations before failure occurs. This means that if a number of simultaneous cracking locations are occurring, each cracking location could separately lead to a structural element/component failure when its crack reaches critical size. For some non-fail-safe structures with multiple load paths, however, the multiple crack locations can separately experience MED cracking and crack location interactions.

The need exists to define how much durability-related fatigue cracking is too much for non-fail-safe or single load path designs. Determining how much durability-related fatigue cracking is too much can likely be accomplished by performing a risk assessment on the cracking behavior at the cracking locations. For the risk assessment to be believable, it is essential that the crack populations be quantified (and then verified) as a function of time.

One approach to establishing the element/component operational limit would be to determine the times when each cracking location reaches the USAF upper bound limit (10^{-5} per flight). The location which takes the lowest time to reach the upper bound limit would be used to establish the structural element's operational limit. If alternate inspection techniques/approaches can be used to reduce the high risks associated with this location, or if modifications or element replacements can be used to significantly reduce the structural airworthiness risks, then the time

² A location is defined as a separate damage tolerance control point, i.e., if more than one crack exists in the region, then each crack has the same stress-intensity factor, same stress, same crack configuration, same local geometrical configuration, and the same crack growth curve.

for the next most likely cracking location to reach the upper bound structural risk would reset the structural element's operational limit to this later time.

Simultaneous durability-related fatigue cracking at multiple critical sites normally starts occurring when nucleation damage (due to typical material and manufacturing defects) at the critical sites grows cracks that are large enough to be detected during in-service teardown inspections of high time/usage aircraft. Most cracks at multiple known locations may be caught by the inspection system; however, it is possible cracks may be growing at a number of unknown locations. As a result of the number and size of these simultaneous cracks at multiple locations, some significant cracks may be missed by the inspection system.

The time when a state of generalized cracking (a state where many locations are simultaneously experiencing durability-related fatigue cracking) occurs may represent an absolute upper bound operational limit for an aging single load path structure (or non-fail-safe structure). It should be noted that this onset of generalized cracking is normally shortened when other in-service damage mechanisms are operating, e.g., corrosion pitting, fretting damage, etc., simultaneously with fatigue mechanisms.

As suggested above, surveillance inspections for damage in an aging aircraft are an important ASIP activity to determine the presence of damage in zones: 1) where design and past history has indicated such damage to occur; as well as 2) that have not previously indicated the potential for damage. For single load path structure, it is especially important that the early detection of damage be noted in all zones not previously identified during design or full-scale fatigue tests. The surveillance requirement is identified in MIL-STD-1530C and approaches for conducting surveillance inspections, and for recording, storing and reporting damage in aging aircraft structures is presented in Ref 35. Using this feedback to conduct additional focused inspections at new crack locations will reveal the extent of the problem and help dictate approaches that can be used to mitigate structural risks.

In addition to the validation approaches used for fail-safe structure, for non-fail-safe structures, maintenance feedback that provides the numbers, size and location of cracks can be used to validate structural analysis models (damage tolerance models and risk models).

CHAPTER 4.0 - CONCLUDING REMARKS

This report has defined the threats to aircraft structural safety and the accidents/incidents that characterize the effects of each threat. It has also discussed how the threats have influenced the development of regulations/codes and standards to mitigate the threat during both design and operation.

The report was organized so that the tables (2-11) and the associated Appendices in the Compendium can be updated as new accidents/incidents are written up; thus the report becomes a living document for the structural integrity community.

The report cites the Aircraft Structural Integrity Program for diminishing the failures of single load path aircraft structures (i.e., slow crack growth design concepts) due to fatigue and environmentally assisted cracking caused by unanticipated high local stress concentrations, manufacturing, material and maintenance defects. It also points out that fail-safe design is required to protect the structural safety of aircraft against large damage threats (e.g., damage due to discrete source impact) as well as the threats that can result in fatigue and/or environmentally assisted cracking. Fail-safe design combined with damage tolerance analysis and tests has been the primary factor responsible for protecting the structural safety of both civilian and military transport aircraft.

This being said, the report points out that both fail-safe and slow crack growth design concepts can be defeated by durability-related fatigue cracking and with the aging of both civilian and military aircraft this becomes a major concern. Durability-related fatigue cracking manifests itself in the literature as the onset of WFD. It is recommended that the operational limits be developed for each of the aircraft structural design concepts relative to the onset of the type of WFD (or durability-related fatigue cracking) that defeats the structure's ability to carry its residual strength requirement:

- Multiple load path fail-safe structure is defeated by the onset of multiple element damage
- Crack arrest fail-safe structure is defeated by the onset of multiple site damage
- Single load path structure can be defeated by either a single location where inspection capability is overwhelmed or by the onset of generalized cracking, where durability-related fatigue cracking is simultaneously occurring at multiple (known and unknown) locations.

While the operational limit for fail-safe structures has been reasonably accepted by the community as the time when the onset of WFD occurs, the use of a similar durability-related fatigue cracking concept for single load path structure is new.

4.1 Recommendations

- The US Navy should be given the opportunity to add accidents/incidents to the Compendium in future updates of the report to improve its value to the overall military fixed wing community.

- More attention must be given to determining the operational limits for single load path structure.
- FAR 25.571 and JSSG 2006 should be updated to include more information that clarifies the conditions establishing operational limits.

CHAPTER 5.0 - REFERENCES

1. Civil Aeronautics Board's CAR Part 4b.270 adopted into the Civil Air Regulations as Amendment 3 on February 7, 1956
2. FAA, Part 25 Airworthiness Standards: Transport Category Airplanes, amendment 25-45 to FAR 25.571, final rule issued on 28 Sep 1978, effective 1 Dec 1978
3. FAA, Part 25 Airworthiness Standards: Transport Category Airplanes, amendment 25-98 to FAR 25.571, final rule issued on 26 March 1998, effective 31 Mar 1998
4. Negaard, G.R., "*The History of the Aircraft Structural Integrity Program*," Aerospace Structures Information and Analysis Center (ASIAC), Wright-Patterson AFB, OH, 1980
5. Department of Defense, Military Standard, MIL-STD-1530A, "*Aircraft Structural Integrity Program, Airplane Requirements*," 11 Dec 1975.
6. Department of Defense (USAF); Military Specification, MIL-A- 83444 titled, "*Airplane Damage Tolerance Requirements*," 2 July 1974.
7. Gallagher, J.P., Butkus, L.M., Brausch, J.C., Babish, C.A., Malas, J.C., Berens, A.P., "*Demonstrating the Effectiveness of an Inspection System to Detect Cracks in Safety of Flight Structure*," Proc. of the 10th DoD/FAA/NASA Aging Aircraft Conference, April 2007, (<http://www.jcaa.us/PublicLibrary/JCAAConferences/>).
8. Butkus L.M., Gallagher, J.P., Berens, A.P, Malas, J.C, Babish, C.A, "*U.S. Air Force Efforts In Understanding And Mitigating The Effects Of "NDI Misses"*", Proceedings of the 24th International Committee on Aeronautical Fatigue Conference (ICAF 2007) Symposium, Ed. L. Lazzeri & A. Salvetti, 16-18 2007, Naples Italy, Publ. by Pacini,, Vol. I, pp. 288-305.
9. Brausch, J.C., "*USAF NDI Reliability Improvements*" Introductory briefing presented at ASIP Panel Session on this topic by the session chair, Aircraft Structural Integrity Conference (ASIP) Conference, 28 November 2006.
10. Gallagher, J.P., "*A Review of Philosophies, Processes, Methods and Approaches that Protect In-Service Aircraft from the Scourge of Fatigue Failures*," Proceedings of the 24th International Committee on Aeronautical Fatigue Conference (ICAF 2007) Symposium, Ed. L. Lazzeri & A. Salvetti, 16-18 2007, Naples Italy, Publ. by Pacini, Vol. I, pp. 1-36.
11. Air Force Structures Bulletin EN-SB-08-001, "*Revised Damage Tolerance Requirements for Fail-Safe Metallic Structures*," Aeronautical Systems Center, Engineering Directorate, Wright-Patterson Air Force Base, September 2008.
12. Air Force Structures Bulletin EN-SB-08-002, "*Revised Damage Tolerance Requirements for Slow Crack Growth Design Concepts for Metallic Structures*," Aeronautical Systems Center, Engineering Directorate, Wright-Patterson Air Force Base, September 2008.
13. Air Force Structures Bulletin EN-SB-08-003, "*Fail-Safe Assessments of Current Aircraft*," Aeronautical Systems Center, Engineering Directorate, Wright-Patterson Air Force Base, September 2008.
14. Teletype message, AFCVC. C27229-M, Chief of Staff USAF, General Curtis Le May, to Commander, Air Research and Development Command, et al., 19 November 1958.

15. Letter, Gen C.E. LeMay, Vice C/S, USAF, to Cmdr. AMC, Cmdr., ARDC, Subject: Structural Integrity Program, 18 May 1959 (Contained in Ref. 4 as Appendix A).
16. Gran, Robert and Orazio, Fred, "*Investigation and Analysis Development of Early Life Structural Failures*," AFFDL-TR-70-149, March, 1971.
17. Moore, C.D., "*Aircraft Structural Integrity and the F-22*," 2007 Aircraft Structural Integrity Conference (ASIP) Conference, 4 December 2007.
18. FAA; Advisory Circular No. 120-73 titled, "*Damage Tolerance Assessment of Repairs to Pressurized Fuselages*," December 14, 2000.
19. FAA; Advisory Circular No. 120-93 titled, "*Damage Tolerance Inspections For Repairs and Alterations*", November 20, 2007
20. H.A. Wood, "*The Use of Fracture Mechanics Principles in the Design and Analysis of Damage Tolerant Aircraft Structures*," AGARD Publication, AGARD-AG-176, 1973, pp. 19-31.
21. NRC; National Research Council Report, "*Live Fire Testing of the F-22 Aircraft*," National Academy Press, Washington DC, 1995
22. Galaxy Scientific Corporation; "*Statistics on Aircraft Gas Turbine Engine Rotor Failures that Occurred in Commercial Aviation in 1989*," DOT/FAA Technical Report No. AD-A256-045, June 1992.
23. Department of Defense, Joint Service Specification Guide, JSSG 2006, "*Aircraft Structures*," 30 October 1998.
24. Bird Strike Committee USA @ www.birdstrike.org; also see FAA, Federal Aviation Administration National Wildlife Strike Database Serial Report Number 14 titled, "*Wildlife Strikes to Civil Aircraft in the United States 1990-2007*", June 2008.
25. USAF Safety Center Bird Strike database, <http://www.afsc.af.mil/organization/bash/statistics.asp>
26. Thorpe, John; International Bird Strike Committee report no. IBSC/WP-SA1 titled, "*Fatalities and Destroyed Civil Aircraft Due to Bird Strike, 1912 – 2002*," Warsaw, 5-9 May 2003
27. J.H. Stephan, "*FPD/Wildlife, An Airline's Prospective*," Delta Air Lines Corporate Safety, 25 October 2005, [www.fodnews.com/FOD_For_FAA-gif/slide001\(...slide037\).Htm](http://www.fodnews.com/FOD_For_FAA-gif/slide001(...slide037).Htm)
28. CAA; Civil Aviation Authority's Paper No. 2001/9 titled, "*Aircraft Hardening Research Program*," Published by Civil Aviation Authority, London, December 2001.
29. C.A. Babish IV, "*USAF ASIP: Protecting Safety for 50 Years*," 2008 ASIP conference, San Antonio, TX, 2 Dec 2008.
30. Tiffany, C.F. et al., "*Aging of U.S. Air Force Aircraft*," National Research Council report NMAB-488-2, National Academy Press, Washington D.C., Sep 1997.
31. DOD (USAF); Military Standard, MIL-STD-1530C titled, "*Aircraft Structural Integrity Program, (ASIP)*". 1 November 2005.

32. NPRM on widespread fatigue damage prevention dated April 18, 2006, contained in Federal Register Doc 06-3621, Docket No. FAA-2006-24281, starting on page 19928.
33. Maclin, James R.; “*Performance of Fuselage Pressure Structure*”, Technical Paper presented at the Third NASA/FAA International Conference on Aging Aircraft, 19-21 November 1991.
34. TOGAA: The Technical Oversight Group on Aging Aircraft (TOGAA), “*The FAA’s Recent Rulemaking activity and Its Adverse Effect on Transport Airplane and Rotorcraft Structural Integrity*,” 24 August 2004, Unpublished final report delivered to the FAA’s Associate Administrator for Regulation and Certification, 800 Independence Ave. SW, Washington, DC 20591
35. J.P. Gallagher, M. Lang, and others, “*Future Airframe Structural Lifting: Methods, Applications, Management*,” RTO Technical Report, RTO-TR-AVT-125, NATO, Dec 2008.

5.1 Bibliography (Additional Reading)

Boeing Presentation titled, “*Statistical Summary of Commercial Airplane Accidents for Worldwide Operations 1959-2006*,” Published by Boeing Commercial Airplanes, July 2007.

FAA; Federal Aviation Administration Code of Federal Regulations, Part 25 Airworthiness Standards for Transport Category Airplanes, published by The National Archives and Records Administration.

Flight Safety Foundation; Aviation Safety Network on-line at www.flightsafety.org and <http://aviation-safety.net/index.php>

Job, Macarthur; **Air Disaster, Volumes 1-4**, Published by Aerospace Publications Pty Ltd. 1994-2001

Kingsbury, Alex; “*Airliners Remain Virtually Defenseless Against Shoulder Fired Missiles*”, Published in *US News and World Report*, 15 July 2008

Marriott, Leo, Stewart, Stanley and Sharpe, Michael; **Air Disasters**, Barnes and Noble Books, Published by PRC Publishing Ltd., 1999

McGuire, Jack F.; “*Fail-Safe Requirements for Aircraft Structures*” Presented at the 47th AIAA/ASME/AHS/ASCE/ASE Structures, Structural Dynamics and Materials Conference, Newport, Rhode Island, 1-4 May 2006.

NTSB; National Transportation Safety Board’s Official Aircraft Accident Reports from 1967 to 2008, Contained in the Hunt Library of Embry-Riddle Aeronautical University, <http://library.erau.edu/daytona/find/online-full-text/ntsb/aircraft-accident-reports.htm>

For Information Covering FOD and Runway Debris:

R. Malcolm and B. Bachtel, presentation supporting FOD, “*Challenges to Airport Ramp and runway Debris Control*,” Boeing Commercial Airplanes, Airport Technology’s support to Basic Airport Safety & Operations School, FAA/AAAE,
http://www.fodnews.com/pdf/Boeing_Slideshow.pdf.

National Aerospace FOD Prevention, Inc., <http://www.nafpi.com>.

**COMPENDIUM OF SELECTED STRUCTURAL
ACCIDENTS / INCIDENTS**

APPENDIX A ACCIDENTS/INCIDENTS RESULTING FROM UNANTICIPATED HIGH LOCAL STRESSES (COMBINED WITH POSSIBLE MANUFACTURING DEFECTS)

Appendix A.1 BOAC COMET G-ALYP & G-ALYY Accident Summarized by Charles F. Tiffany



Figure A1: BOAC Comet in Flight

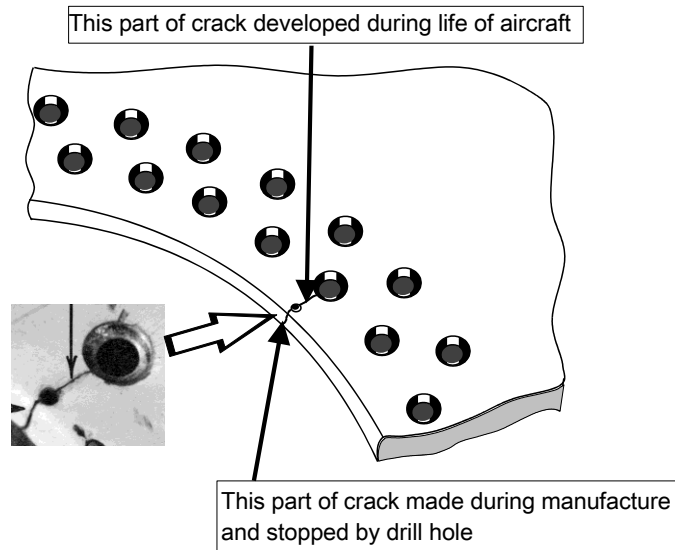
Figure A1. illustrates a photo of a Comet in flight; the Comet was the first jet transport to enter scheduled airline service in 1952. Comet 1 (DH 106-1) registration number G-ALYP was the first jet transport to enter scheduled airline service on May 2, 1952. On January 19, 1954 after only 1,286 pressurized flights this aircraft suffered an explosive decompression failure and crashed in the Mediterranean off Elba.

On April 8, 1954 a second Comet 1, registration number G-ALYY, also experienced an explosive decompression after only 903 flights and crashed into the Mediterranean off Naples. These failures resulted in the permanent grounding of the Comet fleet and the initiation of an intensive investigation as to the cause of the failures. The failures were unexpected in that the fuselage had been successfully pressure cycled to about 18,000 flights without a problem [A1].

Intensive investigations followed including the recovery and close examination of much of the G-ALYP aircraft. Approximately 70% of the structure of G-ALYP aircraft was recovered and reassembled in Farnborough as shown in Figure A2. The G-ALYY aircraft was never recovered. Investigations revealed that the failure of G-ALYP originated near the aft automatic

subjected to high stress levels. To explain this requires also considering the effect that manufacturing quality (i.e., manufacturing defects) has on fatigue life and recognizing that, in low fracture toughness materials, small defects can cause very wide variations in life. Unless the test article contains such defects in the high stress areas, fatigue cracks may not initiate until very late during the test.

During the reconstruction of G-ALYP, a pre-existing manufacturing crack or tear was found at the edge of the ADF window cut-out (See Figure A4). This crack had been stop-drilled, which was the accepted repair practice at that time. Several other locations in this aircraft had similar kinds of manufactured cracks or tears that had also been stop-drilled in the factory [A4].



-VI-3. Crack and Drill Hole in Reinforcing Plate at Starboard Rear Corner of Front ADF Aerial Window Comet G-ALYP

Figure A4: Local Area that Had a Stop-Drilled Hole

As part of the G-ALYP investigation, another full-scale hydro (pressurization) fatigue test was performed on a retired Comet 1 (G-ALYU) until failure occurred. This article failed at a different location (i.e., the port-side forward escape hatch window) due to fatigue cracking at about 9,000 simulated flight hours (i.e. 3,057 pressure cycles); however, to the author's knowledge details of the manufacturing quality at his location were not noted. See Figure A.5 for details of the uncontained cracking that occurred after cracks rapidly propagated from the initiation site [A6].

In the early 1950s when this airplane was being designed and manufactured there was no specific emphasis on having large damage capability or fail-safety nor had either analytical or empirical fail-safe design and test methods been developed. Also, fracture mechanics was in its infancy and there was insufficient emphasis on using tough materials with reasonable design stress levels

so as to achieve large critical crack sizes. If the structure had been designed to be fail-safe to today's standards initial manufacturing defects could have been tolerated without resulting in catastrophic failure. Figures illustrating this lack of crack containment capability of the fuselage structure (i.e., lack of fail-safety) and photographs taken as part of the failure investigation are shown in Figure A5.



Figure A.5: Uncontained Running Cracks Caused the Breakup of this Hydro Test of the Retired Comet 1 (G-ALYU). Cracks Propagating from Forward Escape Hatch on the Port Side. Note that No Straps or Shear Tied Frames were Used. No Crack Arrestment Capability was Provided by this Construction. [A2]

APPENDIX A.2
USAF Northrop F-89
Accident Summarized by
Charles F. Tiffany



Figure A6: Photo of F-89 Aircraft

During 1952, several F-89Cs crashed due to wing structural failures. At least six aircraft lost wings and crashed in the spring and early summer of 1952. One crash took place at the International Aviation Exposition at Detroit. The Air Force was forced to ground the entire - fleet on September 22, 1952 until the cause could be found. The fatigue capability of the wing to fuselage fitting was questioned and as part of this investigation a full-scale wing fatigue test was conducted at Wright Air Development Center (WADC). The tests verified that the wing attachment fittings had a very short fatigue life. During high-G maneuvers, the wing tended to twist at the tip, exerting excessive strain on the wing attachment points and causing them to fail due to fatigue. The large wingtip fuel tanks were found to be a significant factor in exerting this twisting moment. A total of 194 F-89A, B, and C aircraft were shipped back to Northrop where they were fitted with stronger wings with redesigned forged steel attachment fittings. At the same time, a small fin was added to the outboard rear of each wingtip tank, which reduced the aerodynamic forces on the tank that caused it to flex and twist during maneuvering [A7-A8].

APPENDIX A.3
USAF Republic F-84
Accident Summarized by
Charles F. Tiffany



Figure A7: Photo of a Pair of F-84 Aircraft in Flight

The most difficult of the F-84's development and early operational problems were catastrophic wing failures. The Air Force knew of this situation as early as 1948, when tests revealed that the wing construction was the main source of difficulty with the airplane. The fifth fatal broken wing accident (August 1950) prompted the accident board to write, that this type aircraft has a history of wing failures. Following the ninth fatal accident caused by a wing separating from the aircraft, the Air Materiel Command tested the structural strength of the F-84s and concluded that wing failure was caused by high speed pull-up in excess of specific limits noted in the technical order. Therefore, it said that no further engineering action was needed. However, after the twelfth fatal accident attributed to wing failure, the 86th Fighter-Bomber Wing examined its F-84s and found that 60 to 70 percent had various wing fatigue cracks. From 1952 to 1954 approximately 61 cases of rear spar cracking due to fatigue were encountered on the F-84E and G series plus a large number of skin cracks on the D, E and G series. As a result of this poor structural history straight wing fatigue tests were performed and satisfactory fixes were developed and verified so as to allow a 3,000-hour service life for the aircraft. This was deemed sufficient to reach the planned retirement [A7].

With the service history of the straight wing F-84s as a background, Republic Aircraft attempted to design about 5,000 hours into the swept wing F-84F (See Figure A8). A full-scale wing fatigue test was conducted at Wright Air Development Center (WADC), which seem to validate a 4,000 hour service life.



Figure A8: Photo of a Republic Swept Wing F-84F Aircraft

APPENDIX A.4
USAF North American F-86
Accident Summarized by
Charles F. Tiffany



Figure A9. Photo of F-86 Aircraft in Flight

In 1955 the main wing attach fitting was suspected as the cause of several in-flight wing losses. A service wide inspection of all F-86A, B, C, D, E, and F series was instituted to inspect for cracked fittings. Of all the aircraft inspected 515 were found to have cracked fittings. A wing fatigue test conducted at WADC found that this fitting could crack as early as 600 hours of service usage thus a fix was developed. This reinforcement extended the service life of the fittings to about 2,500 to 3,000 hours which was deemed to be adequate. In addition a redesigned fitting was provided for future production aircraft [A7].

APPENDIX A.5
USAF Boeing B-47
Accident Summarized by
Charles F. Tiffany



Figure A10: Photo of B-47 Aircraft in Flight

A structural crisis was reached within the USAF Strategic Air Command on 13 March 1958, when two aircraft broke up in midair in separate incidents. Near Homestead Air Force Base, Florida, a B-47B disintegrated at 15,000 feet, three minutes after takeoff. Its center wing section failed due to fatigue cracking at buttock line 45. The aircraft had a total of 2,077 hours at the time of the accident. See Figure A11 for the critical locations on the B-47.

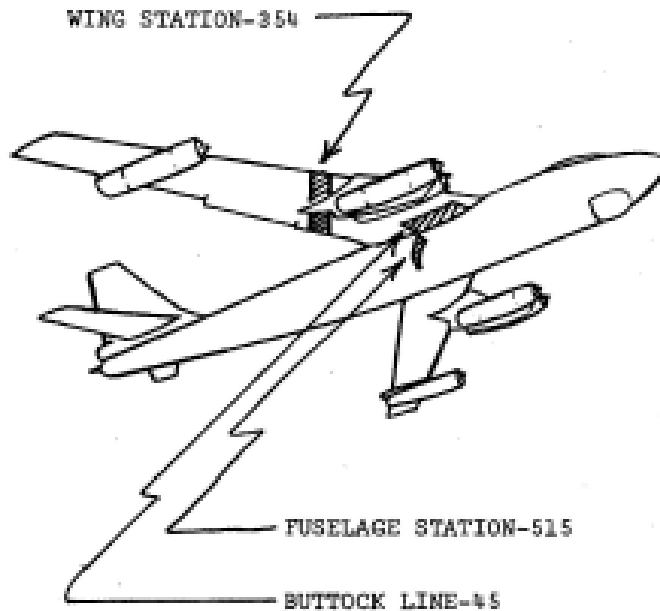


Figure A11: Sketch Illustrating Critical Locations of the B-47 Aircraft

The same day a TB-47B broke up at 23,000 feet over Tulsa, Oklahoma, after the left wing lower surface failed at buttock line 35 causing the wing to separate from the aircraft. This aircraft had 2,419 hours at the time of the accident. While these two accidents were being investigated, three more crashes occurred. On March 21 a B-47E disintegrated during a pull-up near Avon Park, Florida. It had only 1,129 hours. Next, a B-47E disintegrated at 13,100 feet just prior to a refueling rendezvous near Langford, New York on April 10. This failure occurred at the aft wing-to body fitting at fuselage station 515. The final tragedy in this series of five accidents occurred on April 15 when another B-47E with 1,419 hours took off from McDill Air Force Base, Florida in a storm and disintegrated. While one of these accidents was believed to be the result of static overload during a pull-up, the other four were clearly the result of fatigue cracking.

As a result of these failures severe flight operating restrictions and an urgent fleet wide inspection and modification program was implemented. This program was termed “project milk bottle” after the shape of the attachment pin in the fuselage station 515 wing to body fitting. However, the program encompassed much more than this single critical area. The endeavor involved 1,622 B-47 aircraft and by January 1959 all of the B-47s had been inspected and reworked at least once. While this \$62 million program allowed the strategic nuclear bomber force to resume its normal operations, it was now clear that full-scale fatigue tests were required to determine the useful life of the modified aircraft. A decision was made to cyclic test the B-47 to failure at three independent establishments – the Boeing plant in Wichita, Kansas; the Douglas plant in Tulsa, Oklahoma; and the NACA laboratory at Langley, Virginia. These tests were initiated during the summer of 1958 and soon disclosed additional areas in the fuselage requiring further modification. Of particular concern was cracking and failure of the fuselage longeron at station 508. Testing was completed by the spring of 1959 at which time it was thought that a 3,000-hour service life had been assured and perhaps 5,000 hours could be achieved with further modifications and inspections. By 1966 the B-47 was phased out of the nuclear bomber force and replaced by B-52s [A9-A11].

APPENDIX A.6
USAF McDonnell-Douglas F-4
Accident Summarized by
Charles F. Tiffany



Figure A12: Photo of F-4C and F-4E Aircraft [<http://www.af.mil/photos>]

The F-4 has a long fatigue cracking and structural failure history requiring many modifications and multiple full-scale fatigue tests by both the Air Force and the Navy. By 1972 the Air Force had purchased about 2,500 of these aircraft and had lost about 800 of them many of which were non-combat accidents. The Air Force experienced 63 non-combat losses in S.E. Asia during the Vietnam War compared to 35 air combat losses plus 347 losses attributed ground fire. The Navy had purchased about 900 aircraft and had lost about one half of them. The USN and USMC experienced 84 non-combat losses in S.E. Asia during the Vietnam War compared to 38 air combat losses and 105 due to ground fire. While there were a variety of specific causes for the many non-combat losses that occurred in S.E. Asia as well as in the continental United States and around the world, structural/mechanical failures were believed to be a major contributor to the losses. As a result the Air Force formed a damage tolerance evaluation team along with McDonnell-Douglas in 1973 and spent more than two years developing inspection requirements, developing additional modifications and performing another fatigue test at WPAFB [A12, A13].

Structural/mechanical cracking and failure problems on the F-4 included wing fatigue cracks, wing spar stress corrosion cracks, horizontal tail upper surface fatigue cracks and fuselage fatigue cracks. In addition, there were fatigue cracks in and failures of forward engine mounts; cracking of fuselage fuel tank liners (due to excessive fuel pressure from maneuver loads) causing bladder tears and in-flight engine fires; cracking and failure of control surface actuators causing airplane crashes; cracking of outer wings due to high cycle (or buffet) fatigue loading and failure of outer wing panel attach lugs.

The sketch shown in Figure A13 depicts one of many cracking problems that resulted in a non-combat loss of an F-4. This one occurred at Nellis AFB as a result of a fatigue crack in the aft locking lug at the wing fold. The outer wing separated from the aircraft, hit the tail and the aircraft broke apart in the air and then crashed. Prior to this failure, there had been 34 lug failures found when the wings were folded and the lug would drop out. As a result, it was standard inspection procedure to fold the wings and look for a lug failure before flight.

Although the wing fold hinge was not designed to be fail-safe, it was being managed as if it were fail-safe. It worked 34 times before, but obviously did not work when the lug failed during the fatal flight. In this case, a small fatigue crack was also found in the next lug forward, probably caused by buffet loading that these outer wings frequently experienced. Both the **frequency** and **magnitude** of the buffet stresses on these lugs were not anticipated in the original design nor simulated during the full-scale fatigue testing performed on the airplane [A12, A13].

This failure is an example of multiple element damage (MED) overcoming the limited fail-safety associated with the wing fold lugs. The possible contribution of deficient manufacturing quality to this failure was never defined.

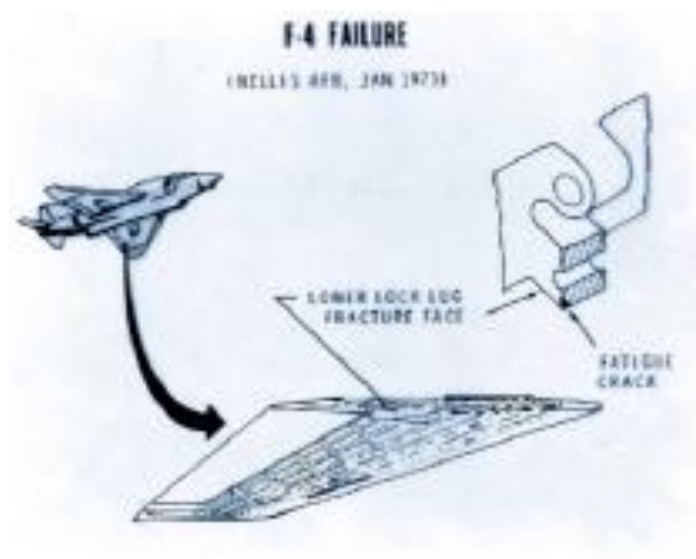


Figure A13: Sketch of F-4 Aircraft Illustrating Location of Failure

APPENDIX A.7
Northwest Airlines Martin 202
Accident Summarized by
Charles F. Tiffany



Figure A14: Photo of Martin 202 Aircraft

A Northwest Airline's Martin 202 with 33 passengers and a crew of 4 crashed near Winona, Minnesota on August 29, 1948 killing all 37 aboard. The left wing separated from the airplane when flying in turbulence caused by a thunderstorm in the area. The cause of the accident was a fatigue crack at a step in thickness of the lower front spar chord, which was made from 7075-T6 aluminum alloy. The aircraft was a non fail-safe ("safe-life") design which had accumulated only 1,321 flight hours at the time of the accident. Shortly after finding the cause of this accident a fractured lower spar chord was found in the right wing of another Martin 202 and cracks in similar locations were found in three other aircraft. This accident along with the Comet fuselage failures in 1954 (See Appendix A.1) contributed to the development of the fail-safe design concept [A14-A16].

APPENDIX A.8
Argentine State Owned YPF AVRO 748
Accident Summarized by
Charles F. Tiffany and Thomas Swift



Figure A15: Photo of AVRO 748 Aircraft

The Argentine state owned oil company, Yacimientos Petroliferos Fiscales (YPF), was making a domestic staff-transfer flight in its AVRO (Hawker Siddeley) 748 aircraft on April 14, 1976, when the right hand wing failed followed by the right hand tailplane. The airplane was flying at an altitude of 4,000 feet at the time of the structural failure causing the airplane to crash killing the 31 passengers and 3 crewmembers. The accident occurred 22 miles north of the Cutral airport in Argentina. The airplane had accumulated a total of 25,753 hours at the time of the accident. The cause of the failure was fatigue cracking in multiple rivet holes in the lower wing skin (between stringers 3 and 12) under external reinforcing doublers at the outboard engine rib. See Figure A16. The multiple site damage, MSD, was due to the local stress concentrations caused by fastener loads not accounted for in the original design. The fasteners attaching the external doublers to the skin were loaded in the spanwise direction as a result of strain compatibility between the skin and doublers.

The AVRO 748 was the first aircraft designed by Hawker Siddeley Manchester Division that was intended to be fail-safe by virtue of having the up bending load distributed in the skin made up of planks containing multiple spanwise stringers as compared to being concentrated in front and rear spar caps as used in earlier AVRO wing designs (i.e., the Manchester, Lincoln, Tudor, Shakletons 1, 2 and 3, and the Argosy). The fallacy was that in order for the structure to be fail-safe, the failure or partial failure of the load path must be detected and repaired prior to the failure of the remaining intact structure. With the chordwise row of fastener holes in skin being covered by the external engine rib doublers, the critical fastener holes in the skin were not visually inspectable.

This design was in violation of the Civil Aeronautics Board's 1956 CAR 4b.270 fail-safe rule, which said that a partial failure of a principal structural element must be obvious (which means that it must be readily detectable). Also, the possibility of multiple site damage in adjacent planks was not recognized nor discovered by a teardown inspection of a full-scale fatigue test aircraft.

This accident and the crash of Dan Air's Boeing 707 in 1977 highlighted some shortcomings in the CAR 4b.270 fail-safe rule and precipitated a joint industry and government effort that led to amendment 45 revision and expansion of FAR 25.571 in 1978. While this amendment included the requirement for damage tolerance evaluations and the development of Supplemental Structural Inspection Documents (SSIDs), it did not address all the issues needed to achieve fail-safety. Amendment 45 did not address: 1) the possibility of adjacent structure damage and 2) recognize the need to retain the required residual strength for a period of unrepaired usage; nor it did not mandate the requirement for full-scale fatigue testing to disclose fatigue "hot spots" and provide an estimate as to when fail-safety may be lost due to the onset of WFD [A17, A18].

Efforts to address these issues and strengthen the fail-safe requirement came later and are described in detail in final report of the FAA's Technical Oversight Group on Aging Aircraft (TOGAA) dated July 30, 2003 and revised August 24, 2004 [A5].

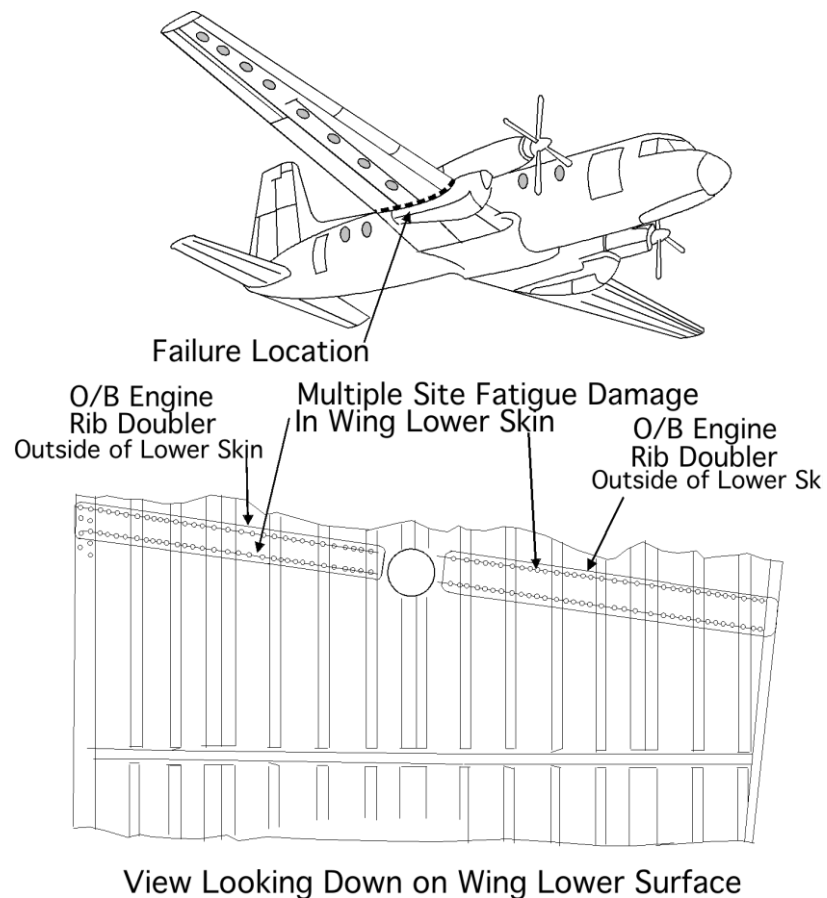


Figure A16: Sketch of AVRO 748 Aircraft Illustrating Failure Location

APPENDIX A.9
Dan Air Airlines Boeing 707-300
Accident Summarized by
Charles F. Tiffany



Figure A17: Photo of Boeing 707-300 Aircraft

On May 14, 1977, a Boeing 707-300 operated by Dan-Air Services crashed on approach to Lusaka International Airport, located in Lusaka, Zambia. The accident was caused by the fatigue failure of the right horizontal stabilizer or tail-plane. This was followed by a loss of control and the crash killing all 6 occupants. While the aircraft had been certified as fail-safe per the 1956 CAR 4b.270 requirements, the upper rear spar chord failure (which occurred about 100 flights earlier) was not discovered prior to the failure of the fail-safe chord during this final landing approach. See a photograph and a sketch of the design in Figure A18 [A19].

The Dan-Air accident has been pointed to by some in the FAA as justification for dropping the fail-safe design option and adopting the damage tolerance or slow crack growth based inspection approach, which was adopted by the U.S. Air Force several years earlier for their predominately single load path combat aircraft. However, this justification was based on the false premise that damage tolerance could replace the fail-safe concept rather than merely complement it by providing slow crack growth based inspection requirements as was originally intended by a 1978 AIA Committee. One cannot ignore the many cases (a few of which are pointed out in this compendium) where fail-safety has prevented the loss of the aircraft and the fact that fail-safety is the only concept that provides protection from large damage threats. An important lesson learned from this accident regarding fail-safe design was:

Subsequent to a load path failure (in this case the upper rear spar chord), it is essential that the remaining intact structure be able sustain the required flight loads for a safe period of unrepaired usage, which is long enough to ensure that the failure will be detected and repaired prior to the failure of the remaining structure.

This obviously was not achieved in this accident in that the actual period of safe unrepaired usage was about 100 flights before the accident flight whereas the normal maintenance “C” check inspection interval was being performed every 1800 hours or about every 630 flights. This motivated the phrase, “for a period of unrepaired usage” in the definition of the term, “fail- safe” in the current AC 25.571-1C. It also resulted in the inclusion of an inspection threshold policy in

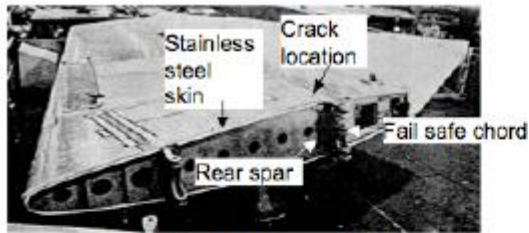
FAR 25.571 that says, “Inspection thresholds must be established based on crack growth analyses and/or tests, assuming the structure contains an initial flaw of the maximum probable size that could exist as a result of manufacturing or service-induced damage where it cannot be demonstrated that load path failure, partial failure, or crack arrest will be detected and repaired during normal maintenance, inspection, or operation of an airplane prior to failure of the remaining structure.[A5]”

While the loss of tail-plane and the aircraft after 16,722 flights pointed out a major shortcoming in the old CAR 4b.270 fail-safe requirement (which the FAA attempted to later correct in Amendment 96 to FAR 25.571), it does not explain the root cause of the fatigue cracking that resulted in spar cap failure. The available evidence indicates that this was due to unanticipated high local stresses (and stress spectrum) combined with marginal quality fastener installations and potential environmental effects. The failure originated from a fatigue crack in a fastener hole in the rear upper spar chord. Fractographic analysis (i.e., striation counts) indicated that there were about 7200 flights of slow crack growth before the crack reached critical size and fractured the upper chord. The fatigue crack progressed from a small upper surface corner crack (0.02 to 0.03-inch) in a fastener hole in the flange of the upper spar chord and progressed across the chord before reaching its critical size of a couple of inches.

The specific origin (about a 0.02 to 0.03 inch corner radius) appeared damaged, probably due to impact after failure; consequently its exact nature could not be determined. However, there was evidence of fretting and corrosion. There was also evidence that some fasteners had high bearing stresses and initially had uneven loading amongst the fasteners. The fatigue crack at the origin fastener hole initially had a rapid rate of growth for the first two millimeters (due to the high bearing load) and then rather normal growth due to the bypass stress in the flange [A20].

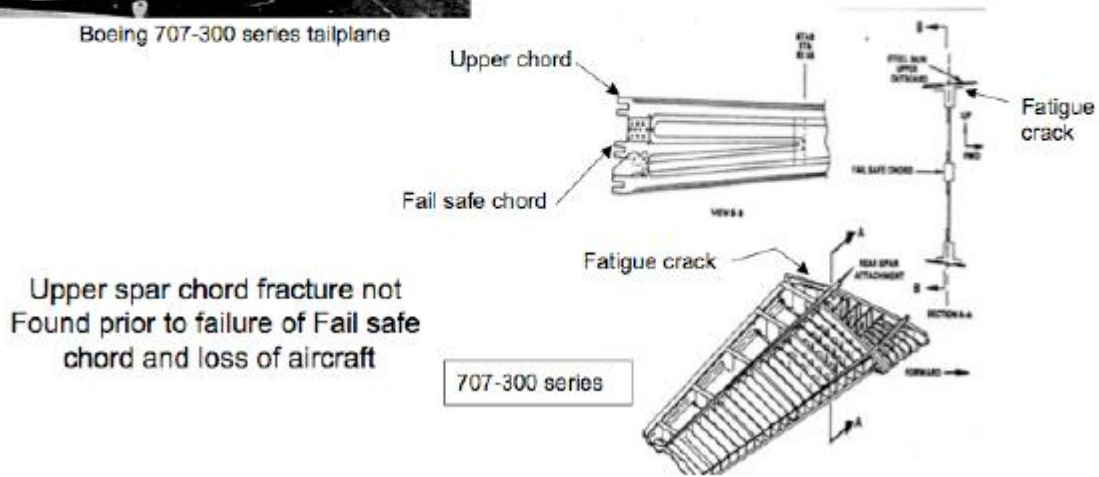
Post accident flight tests revealed that deployment of the speed brakes during landing role produced a horizontal load spectrum, which was significantly more severe than assumed during the original design. Obviously, a good knowledge of both the external loads (and load spectrum) and the local internal loads are essential in predicting crack initiation, crack growth and fail-safe residual strength, which leads to this second lesson-learned:

It is essential that load surveys be performed to develop accurate loads and load spectra (including both ground and flight loads) for use in damage tolerance (i.e., crack growth) analyses, fatigue analyses and fail-safe residual strength and life analyses. These load spectra are also very important for the full-scale fatigue test.



Boeing 707-300 series tailplane

Dan Air
Lusaka, Zambia
May 14, 1977



Upper spar chord fracture not
Found prior to failure of Fail safe
chord and loss of aircraft

Figure A18: Photo of Right Horizontal Stabilizer that Separated from B-707-321C Aircraft and Details of “Fail-Safe” Structure Associated with the Accident

APPENDIX A.10
Aer Lingus - Irish International Airlines Boeing 707-300
Accident Summarized by
Charles F. Tiffany and
Jack F. McGuire



Figure A19: Photo of Boeing 707-300 Aircraft

This Aer Lingus Boeing 707-300 flying out of London on September 24, 1970 experienced a rapid decompression; however, the fail-safe design prevented a catastrophic failure that could have resulted in the loss of aircraft. The failure demonstrated the ability of the airplane to sustain a 40 inch fuselage crack plus a broken frame, which is a current Boeing design requirement (i.e., a two bay crack plus a broken central frame) [A21, A22].

The location of the failure was in the main deck cargo door with frame failure and skin cracking along the upper hinge line. Note that the frame spacing in the cargo door is 10 inches rather than the normal 20 inch spacing throughout the rest of the fuselage. It is believed that the frame cracking occurred first followed by the skin cracking and the blowout. While the specific cause of the frame fatigue failures and skin cracking was not identified, it is expected that unanticipated high local frame stresses was the primary factor. It is not known whether or not there was any manufacturing or maintenance damage present. The main deck cargo door apparently was not included in the hydro fatigue test that was performed in the 1950s; thus, this critical area was not identified by the test. A photograph of the damage is shown in Figure A20.



Fatigue cracks
in these two frames

Blowout occurred following
failures of this frame

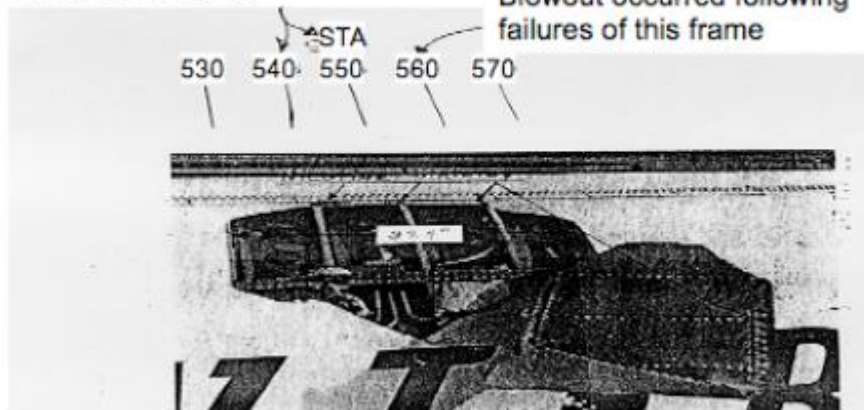


Figure A20: Photo of Section of Boeing 707-300 Aircraft Lost Due to Fatigue Failure

APPENDIX A.11.6
USAF McDonnell-Douglas F-15C
Accident Summarized by
Charles F. Tiffany with input from
Charles Babish and Joseph Gallagher



Figure A21: Photo of F-15 Aircraft in Flight

On November 2, 2007, an F-15C flown by the Missouri National Guard broke apart in mid-air and crashed during a training exercise. An artist rendition of how the forward fuselage of this aircraft manufactured by McDonnell-Douglas separated just behind the cockpit is shown in Figure A22 [A23].



Figure A22: Artist's Rendition of F-15C Forward Fuselage Separation

Both Boeing and the Air Force Research Laboratory's Materials Integrity Branch (AFRL/RXSA) conducted structures and materials investigations in support of the Air Force's Accident Investigation Board (AIB) [A24]. The Boeing failure analysis laboratory found a suspected fatigue crack in the upper right hand longeron near the center fuselage station (CFS) 377 splice joint that they thought could have caused the catastrophic failure (i.e., the longeron is a non fail-safe single load path structure). The location of this crack is shown in the structural diagram shown in Figure A23.

**Crack found in upper longeron
 of mishap aircraft**

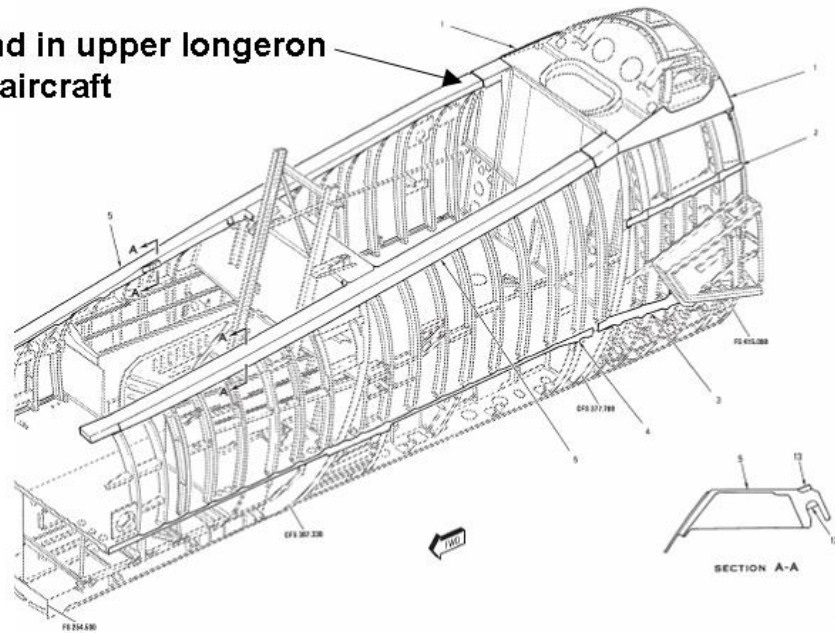


Figure 356. Main Structure Longerons (Sheet 1 of 4)

Figure A23: Location of Crack Site in F-15C Forward Fuselage Upper Longeron

The AFRL/RXSA performed a comprehensive examination and metallurgical evaluation of the fractured longeron [A25]. They found that the suspect crack originated due to fatigue in a thin area of a machined pocket in the longeron just forward of CFS 377. The web thickness at the crack origin ranged from 0.039 to 0.073-inches compared to the blueprint minimum thickness of 0.09 inches. This of course would result in significantly higher stresses in this local area than the blueprint configuration. Also, the surface roughness of the machined surface was rougher than the blueprint specification. The AFRL/RXSA report indicated that the cracking initiated at multiple sites in machining grooves in the thin undercut area of the longeron web and grew in a stable manner over a significant period of time to where it was through the entire width of the canopy sill web and progressing nearly 0.5-inch down the inner chord, when it reached its critical size at the applied stress level and failure occurred. This is illustrated in Figure A24.

Based on the AIB report [A24], it appears that the fatigue cracking and failure are due to high stresses that were the result of poor workmanship and quality control (i.e., inadequate receiving inspection of fracture critical parts that were improperly manufactured and inspected by a subcontractor). This failure demonstrates the vulnerability of single load path (i.e., non fail-safe) structures to manufacturing discrepancies and emphasizes the importance of developing and enforcing rigid fracture control procedures (including factory inspections to ensure conformation to blueprint and in-service damage tolerance based inspections) on those parts where fail-safe designs are not practical.

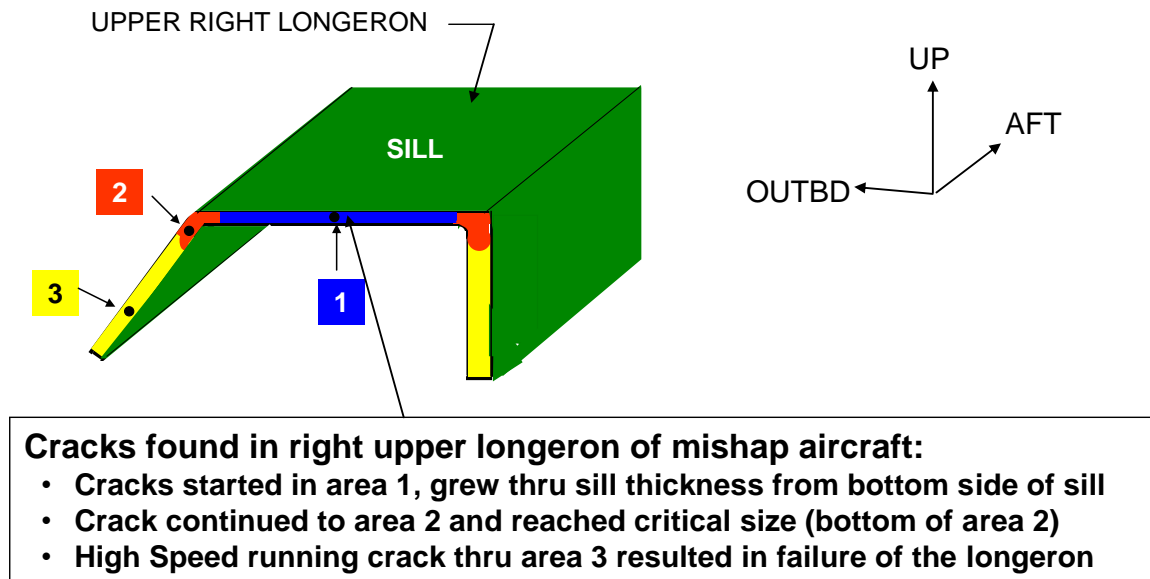


Figure A24: Cracking Events Occurring in the F-15C Forward Fuselage Upper Longeron at FS377

The Technical Advisor on Structural Integrity at WPAFB [A25] said that subsequent to the release of the AIB report a further detailed stress analysis of the longerons was performed. He indicated that the analysis revealed a local high stress area that had not been previously detected by past analyses or tests. Major General Owen discussed this local high stressed area in his presentation to the 2008 ASIP conference [A27]. A local change in the load path resulted in bending stresses combined with the normal tension load in the longeron. Also, it was pointed out that this local “hot spot” was not revealed by the original fatigue test. This was due to the fact that the test spectrum was much too mild compared to the F-15C’s actual usage spectrum (by a factor of 10 or more) and the original test aircraft probably did not have the manufacturing discrepancy found in the accident aircraft.

Inspection of the other operational F-15C aircraft as part of the accident investigation revealed fatigue cracks in nine other aircraft, three of these other aircraft all ready had cracks were already completely across the sill and into area 2. Two of these three aircraft had only minor manufacturing discrepancies relative to meeting blue print configuration requirements. The cracks were found were in the analytically predicted high stressed area, another high stressed area associated with a nearby machine land. A damage tolerance analysis of the longeron cracking locations was conducted to determine if the structural safety of the F-15 aircraft could be protected by inspections. The required inspection intervals for the inspection approach was based on the longeron blue print configuration, updated stress analysis, the current service loads spectrum and an initial flaw assumption that the crack had a through-thickness size that extended completely across the sill, i.e., the crack completely covered area 1 in Figure A24. The repeat inspection intervals were sufficient to only conduct depot inspections.

In retrospect, had this “hot spot“ been identified and the inspection intervals determined early on, the accident aircraft would have been inspected at least twice prior to the accident flight. In other words, the damage tolerance approach (based on an accurate detailed stress analysis and updated loads spectrum) would have protected the structural safety in spite of the fact that there was a gross manufacturing error (i.e., a deep undercut and surface roughness). It is apparent from these findings that there was not only a breakdown in quality control procedures to ensure design conformance as indicated by the AIB report, but also there was a breakdown in the basic ASIP requirements. This includes the need for: 1) spectrum updates; 2) identification of critical areas by analysis and test; 3) the implementation of an effective individual aircraft tracking program; and, 4) the development and implementation of a damage tolerance based inspection program. General Owen pointed out that the F-15 System Program Manager (SPM) thought that the root cause for the accident was the direct result of a complacent and under-funded ASIP [A27].

APPENDIX GROUP A REFERENCES

- A1 “Report on Comet Accident Investigation Part 2 Accident Note No. 260, Ministry of Supply, London W.C.2.
- A2 Report on Comet Investigation, Ministry of Supply’s Royal Aircraft Establishment, London, England
- A3 Swift, Thomas, “*Fail-Safe design Requirements and Features, Regulatory Requirements,*” Technical paper presented at AIAA Conference, Dayton, Ohio, July 2004.
- A4 Swift, Thomas and Tiffany, C. F., Personal Files Data.
- A5 TOGAA: The Technical Oversight Group on Aging Aircraft (TOGAA) Final Report, “*The FAA’s Recent Rulemaking activity and Its Adverse Effect on Transport Airplane and Rotorcraft Structural Integrity,*”, Unpublished Final Report delivered to the FAA’s Associate Administrator for Regulation and Certification, 800 Independence Ave. SW, Washington, DC 20591, 24 August 2004
- A6 Job, Macarthur, **Air Disaster, Volume 1**, Published by Aerospace Publications Pty Ltd. 1994-2001
- A7 Tiffany, C.F., Personal Files (based on data J. W. Lincoln provided from the Aerospace Structures Information and Analysis Center at WPAFB)
- A8 Historical data also obtained from the Internet (e.g., The Troubled F-89C at <http://www.nicap.org/f89c.htm>).
- A9 Tiffany, C.F., first hand knowledge acquired as a young Boeing stress analyst during the 1950s. Boeing data contained in C.F. Tiffany’s personal files.
- A10 Boyne, Walter J.; “*Boeing B-52, A Documented History,*” Chapter 2, **The Indispensable Forerunner, The B-47**, Boeing Seattle, WA.
- A11 Lincoln, J.W., Data obtained from the Aerospace Structures Information Center at WPAFB, Ohio.
- A12 Tiffany, C.F., Personal Files based on first hand knowledge of the F-4 fatigue problems during the early 1970s and support provided to the Accident Investigation Board’s investigation of the 1973 accident at Nellis AFB. Also, C.F. Tiffany provided technical oversight of the DADTA team led by Robert M. Bader from WPAFB and prepared numerous briefings on the F-4 structural problems and presented them to USAF upper management during the mid 1970s.
- A13 Correll, John T., “The Vietnam War Almanac,” www.airforce-magazine.com/almanac/other%20almanacs/0904vietnam.pdf.
- A14 Flight Safety Foundation, Aviation Safety Network on-line at www.flightsafety.org and <http://aviation-safety.net/database/record.php?id=19480829-0>
- A15 Federal Court Record, 224F.2d120, Northwest Airlines vs. Glenn L. Martin Company, U.S. Court of Appeals Sixth Circuit, May 31, 1966
http://bulk.resource.org/courts.gov/c/F2/224/224.F2d.120.12130_1.html

- A16 Tiffany, C.F., Personal recollections during the adoption of Boeing's fail-safe design requirements in the early 1950s.
- A17 Swift, Thomas, Personal Files of developed during his support to the FAA initiated Fatigue Regulatory Review Committee that developed Amendment 45 to FAR 25.571 in 1978.
- A18 Flight Safety Foundation; Aviation Safety Network on-line at www.flightsafety.org and <http://aviation-safety.net/index.php>.
- A19 Aircraft Accident Report 9/78; Boeing 707 321C G-BEBP Report on the accident near Lusaka International Airport, Zambia on 14 May 1977; Department of Trade, Accidents Investigation Branch, London, UK.
- A20 Watson, Robert (chief of Boeing Structures at the time of the accident) and Stauffer, Warren, Mar, James, and Swift, Thomas (who were all involved in the FAA Regulatory Review Committee investigating the failure and development of Amendment 45 to FAR 25.571), First hand accounts. .
- A21 McGuire, Jack F., former Head of Structures at Boeing Commercial Airplanes, Personal Recollections.
- A22 McGuire, Jack F.; "*Fail-Safe Requirements for Aircraft Structures*," Presented at the 47th AIAA/ASME/AHS/ASCE/ASE Structures, Structural Dynamics and Materials Conference, Newport, Rhode Island, 1-4 May 2006
- A23 ACC Video of the F-15C accident available from <http://acc.af.mil/f-15fliesagain/index.asp>
- A24 USAF Accident Investigation Report, F-15C, S/N 80-0034, 110th Fighter Squadron, 131st Fighter Wing, St IAP, ANG, 2 November 2007, Signed out by ACC/CC 8 January 2008. (Three Volumes).
- A25 Calcaterra, Jeffery and Gentry, Amanda J., "*AFRL Structural Analysis, F-15 Mishap Structural Hardware Analysis*," Air Force Research Laboratory Report No. AFRL/RXS 07-084A, published as part of the Air Force's F-15C Accident Investigation Board's Report, December 2007
- A26 Private Communication between C.F. Tiffany and C.A. Babish, dated 31 Dec 08
- A27 Owen, Maj. Gen. Thomas B., HQ AFMC/A4, "*F-15 Structures Mishap*," 2008 ASIP Conference, 3 Dec. 2008.

APPENDIX B ACCIDENTS / INCIDENTS RESULTING FROM MANUFACTURING AND MATERIAL DEFECTS

APPENDIX B.1 USAF Northrop F-5/T-38 Accident Summarized by Charles F. Tiffany



Figure B1: Two T-38 Trainers in Flight

Figure B1 illustrates two T-38 aircraft; the T-38 aircraft is the two seat trainer version of Northrop's F-5 fighter. The sketch shown in Figure B2 depicts the failure of an F-5 at Williams AFB, which originated at a tool gouge in a radius of the single piece, 0.42-inch thick wing plank. The critical crack length of the fatigue crack was about 0.20-inches. A photo of the failure origin is shown in Figure B3. As a result of this failure a damage tolerance assessment was performed and damage tolerance inspection requirements established; however, these inspections were not completely successful in that additional catastrophic wing failures occurred at Randolph AFB and in PACAF in the mid 1970's. The final solution to this problem was a wing redesign to substantially reduce the stress levels, incorporate a tougher aluminum alloy and cold working of the fastener holes [B1, B2].

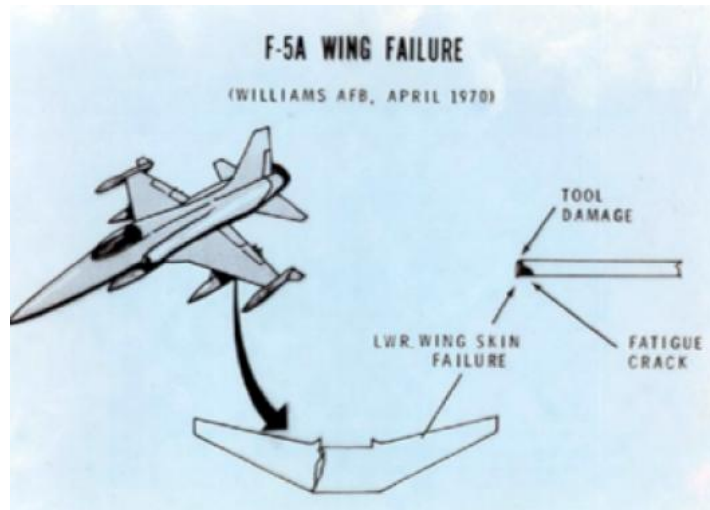


Figure B2: Identification of Tool Damage Location and Resulting Wing Separation Point



Figure B3: Tool Damage Led to Early Fatigue Cracking and Resulting Failure of the Monolithic Wing

APPENDIX B.2
USAF Boeing KC-135
Incident Summarized by
Charles F. Tiffany



Figure B4: Photo of KC-135 in Flight

The KC-135, shown in Figure B4, is a military derivative of Boeing's Dash 80 prototype and the Boeing 707 commercial Aircraft. Like the Boeing 707, the KC-135 was designed to be fail-safe, but it did have some significant structural differences from the Boeing 707. One major difference was that to save approximately 600 lb. of weight, Boeing and the USAF selected 7178-T6 aluminum rather than 2024-T3 aluminum for the wing lower surfaces of the KC-135. Although it was not known at the time (early 1950s), the 7178-T6 Al wing had much lower fracture toughness, smaller critical crack sizes and was much more sensitive to initial quality variations (i.e., manufacturing defects) than the Boeing 707 2024-T3 Al wing. The consequences of this decision were as follows [B3, B4]:

1. Between 1966 and 1977, there were 28 reported incidents of unstable fatigue crack propagation:
 - 14 failures of six different panels in the lower wing surface
 - 13 crack arrests in other fastener holes short of complete panel failure
 - 1 rear spar cap plus aft panel failure
2. These failures initiated at poor quality fastener holes (manufacturing defects) and thus occurred at very low flight hours even though the airplane had been successfully fatigue tested to 43, 200 cyclic test hours. A complete yearly tabulation of the incidents is provided in Table B1.

Table B1. Listing of Annual Cracking Incidents on KC-135 Aircraft

Year	No. of Incidents	Flight Hours
1966	1	2,800
1967	3	2,800-3,500
1968	0	
1969	6	1,800- 6,400
1970	1	11,000
1971	2	12,200 & 14,400
1972	5	4,700-12,900
1973	2	5,700 & 5,900
1974	2	6,900 & 7,300
1975	1	7,000
1976	4	7,000-17,000
1977	1	7,500

3. All of these failures were readily detectable or malfunction evident. Most were discovered post flight as result of fuel leakage.
4. An example of one such panel failure that occurred in 1972 at Fairchild AFB is illustrated in Figure B5. A picture of the failure origin is shown in Figure B6. Note that the fatigue crack was still underneath the countersink, when it attained its critical size and caused the panel failure.

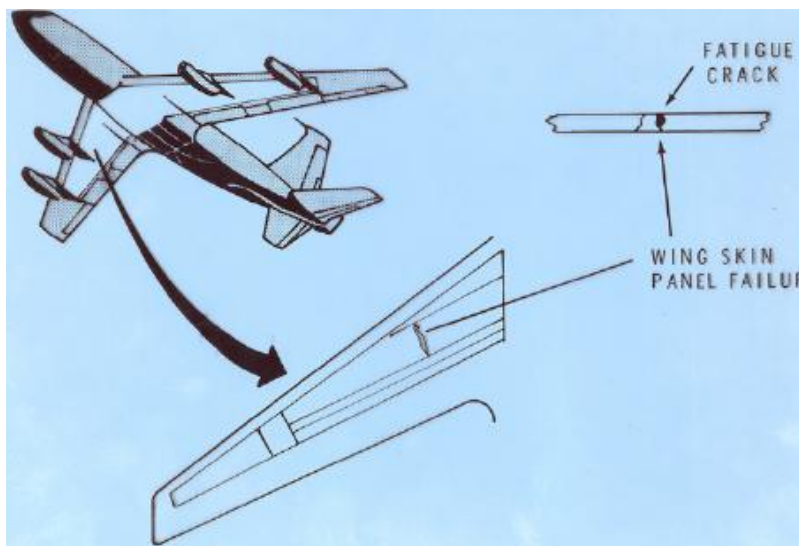


Figure B5: Illustration Shows Location of Fatigue Crack Resulting in a 28-inch Panel Failure in Lower Surface of a KC-135 Wing (Fairchild AFB, February 1971)

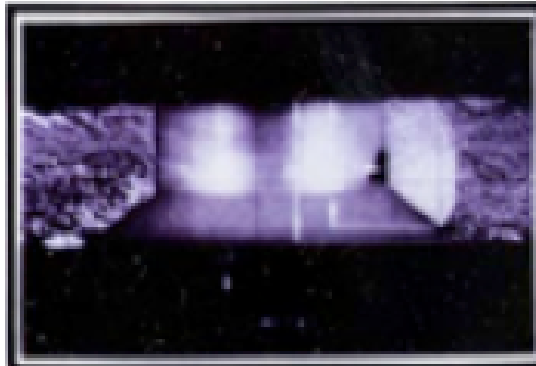


Figure B6: Photo Illustrates the Critical Size of Fatigue Crack was Covered by the Fastener Countersink Making It Impossible to Detect by Visual Inspection

5. It should be emphasized that none of these 28 incidents resulted in catastrophic structural failure, which attests to the importance of the fail-safe design. Twenty-eight potential catastrophic failures were avoided, because of fail-safety!
6. A 1977 reevaluation of the fail-safe residual strength levels in the presence of a panel failure concluded that, with the exception of one or two specific areas, the residual strength of the wings exceeded 80% of limit load (i.e., the old CAR4b.270 requirement) providing there was no widespread fatigue cracking in the adjacent panels.
7. Although by 1977 the USAF and Boeing were performing Damage Tolerance Assessments of their existing aircraft inventory, it was clear that that structural safety of the KC-135 wings could not be protected by damage tolerance based inspections and continued fail-safety was mandatory.
 - The NDI detectable crack sizes were nearly the same as the predicted and observed critical crack sizes resulting in extremely short repeat inspection intervals.
 - Even if inspections were technically feasible it would be economically unacceptable because of the thousands of fastener holes that would require inspection.
8. Concern about the potential loss of fail-safety in the higher time aircraft due to the onset of WFD led Boeing to perform tear down inspections of several KC-135 lower wing surfaces.
 - A wing with 11, 500 hours was torn down and each fastener hole in selected areas was inspected using an optical magnifier. At least 698 very small fatigue cracks were found (most between .01 and .02 inches).
 - From these results a Blue Ribbon Panel (made up of industry and government structures experts) estimated that the fail-safe residual strength of some aircraft could be unacceptably degraded between 8,000 and 9,000 flight hours (i.e., the onset of WFD).

9. The Blue Ribbon Panel recommended that a major wing modification program (i.e., ECP 405) be implemented immediately whereby the lower surface would be redesigned using the 2024-T3 aluminum alloy used in the 707 wing and any aircraft with more than 8,500 flight hours would be subject to flight restrictions until the mod kits were installed.

10. There have been no additional panel failures, since ECP 405 was implemented and the fail safety of the wing structure has been successfully maintained for the past two to three decades.

Appendix B.3
USAF Douglas C-133
Accident Summarized by
Thomas Swift



Figure B7: Photo of C-133 Transport Aircraft in Flight

A US Air Force C-133 transport aircraft (No. 59-530), manufactured by Douglas, suffered an explosive decompression failure at an altitude of 24,000 feet while fully pressurized to 6.55 PSI on the morning of 6 Feb. 1970 and crashed near McCook, Nebraska. The aircraft had completed 12,200 hours at the time of the accident. A longitudinal skin crack, originating in the skin at the first hole in a skin-to-frame shear clip, had propagated into two adjacent skin bays to a total length of 11.0 inches when fast fracture occurred. The crack was not arrested at adjacent frames resulting in an explosive decompression failure of the fuselage (i.e., the structure was not fail-safe) [B5-B7].

The fasteners were countersunk into dimpled skin. The crack that propagated to failure grew from a manufacturing flaw caused by the dimpling operation. A C-133 was successfully full-scale fatigue tested to 38,000 simulated flight hours. The high time airplane at the time of the accident had accumulated 16,000 flight hours. A Douglas Aircraft team designed a crack arresting system, so as to achieve fail-safety in the remaining C-133 fleet. A sketch of the initial manufacturing flaw and subsequent fatigue crack is shown in Figure B8.

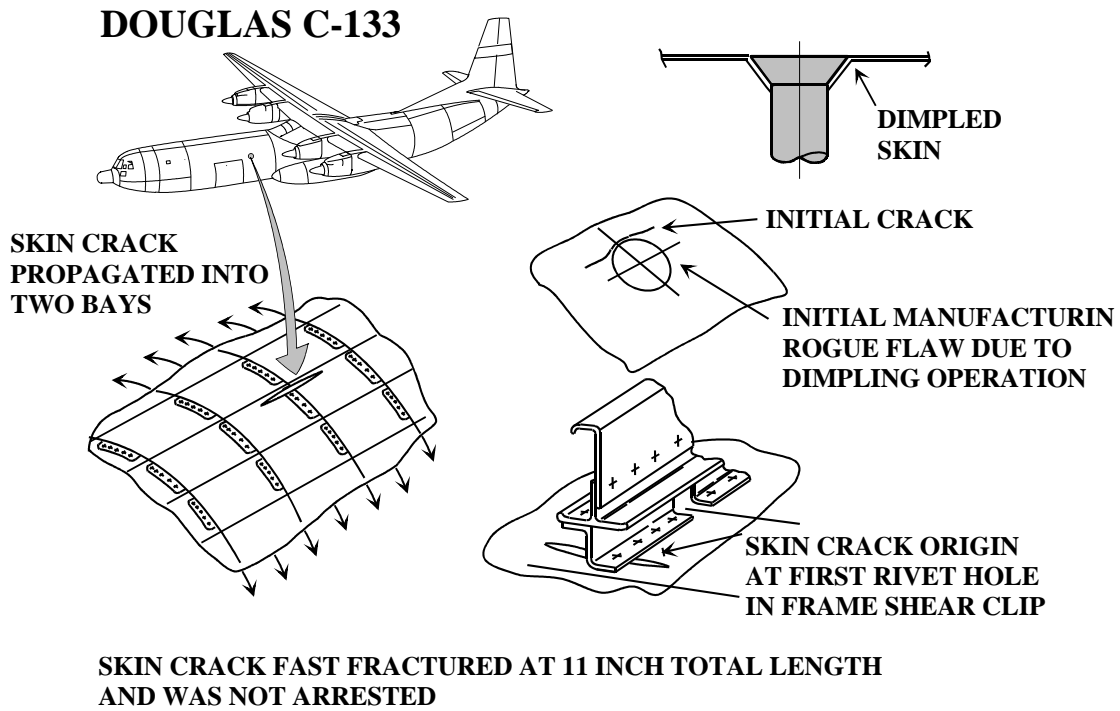


Figure B8: Details of the Cracking that Led to Failure of C-133 Transport Aircraft

Appendix B.4
Curtis Wright X-19 VTOL
Accident Summarized by
Charles F. Tiffany and Thomas Swift



Figure B9: Photo of Curtis Wright X-19 Aircraft

The Curtis Wright X-19 VTOL Experimental Aircraft, a tri-service research project, crashed during a flight test at the FAA Test Center in Atlantic City New Jersey in mid 1965. The aircraft crashed after a propeller nacelle magnesium casting failure. The cause of the crash was a manufacturing defect in the magnesium sand casting used in the propeller nacelle. This material flaw was a sand inclusion at the tip of one of the stiffening ribs in the most highly loaded location of the nacelle structure. Some of the details of this flaw are illustrated in Figure B10 [B5, B7].

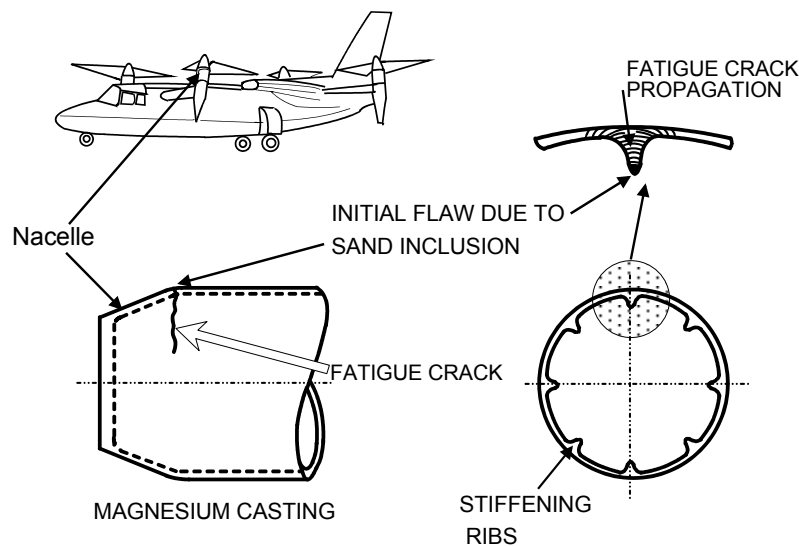


Figure B10: Sketch of Flaw Details Associated with X-19 Aircraft Accident

APPENDIX B.5
USAF General Dynamics F-111
Accident Summarized by
Charles F. Tiffany



Figure B11: Photo of F-111 Aircraft in Flight

On December 22, 1969, the left wing pivot fitting of U.S. Air Force F-111 No. 94 aircraft failed during a 4.0g pull-up maneuver from a practice bombing run at Nellis Air Force Base in Nevada. This was a fighter airplane designed and manufactured by General Dynamics for a limit load factor of 7.33. Aircraft No. 94 had only accumulated 105 flight hours at the time of the accident. The cause of the failure, resulting in loss of the aircraft and crew of two, was attributed to the presence of a manufacturing defect (a forging lap) in the D6AC steel pivot fitting. A Photo of the fracture face is shown in Figure B.12. The dark portion, shaped like the crescent on a thumbnail, was the manufacturing defect that existed when the aircraft was delivered to the USAF. The narrow band, lighter in color, is the growth of the manufacturing flaw in 105 hours of flight. This crack, the manufacturing defect, in F-111 No. 94 is arguably the most infamous crack in aviation history [B8, B9].

The USAF convened a special Scientific Advisory Board (SAB) to investigate the ramifications of this accident. Many innovations in structural integrity came about because of this failure. The USAF conducted a comprehensive evaluation of their Aircraft Structural Integrity Program (ASIP). They abandoned the previous safe life approach to fatigue design, revised MIL STD 1530 [B10], released MIL A 83444 (Damage Tolerance Requirements) [B11] and performed Durability and Damage Tolerance Assessments (DADTAs) of all of their existing airplane fleets.

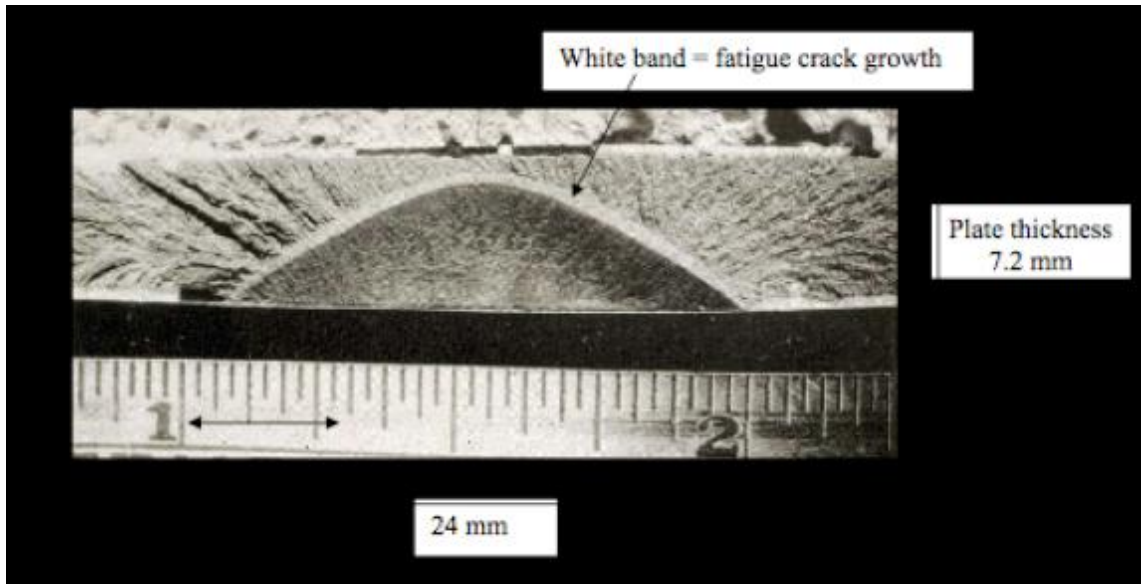


Figure B12: Photo Illustrating Forging Flaw and Subsequent Fatigue Crack that Caused the Failure of F-111 Aircraft after 105 Hours of Flight Time

APPENDIX GROUP B REFERENCES

- B1 Tiffany, C.F., Personal Files.
- B2 Tiffany, C.F. et al., “*Aging of U.S. Air Force Aircraft*,” Appendix covering Structural History of the F-5/T-38, National Research Council report NMAB-488-2, National Academy Press, Washington D.C., Sep
- B3 Executive Briefing prepared by the 1977 Blue Ribbon Panel co chaired by C.F. Tiffany (ASD/EN) and Prof. John McCarthy (MIT/SAB) with Panel members, Dr. J.W. Lincoln (ASD/ENF), Thomas Swift (Douglas Aircraft), Bernie Nasal (AFLC/LOE), Warren Stauffer (Lockheed) and Glen Purkey (ASD/ENFS). Technical support provided by Oklahoma City ALC and Boeing Wichita Division (Bev Hodges, Chief Engineer and John Dempster, Stress Unit Chief). Briefing contained in C.F. Tiffany’s personal files.
- B4 Tiffany, C.F. et al., “*Aging of U.S. Air Force Aircraft*,” Appendix covering Structural History of the KC-135, National Research Council report NMAB-488-2, National Academy Press, Washington D.C., Sep 1997.
- B5 Swift, Thomas, Personal Files.
- B6 Swift, Thomas, “*Fail-Safe design Requirements and Features, Regulatory Requirements*”, Technical paper presented at AIAA Conference, Dayton, Ohio, July 2004.
- B7 TOGAA: The Technical Oversight Group on Aging Aircraft, “The FAA’s Recent Rulemaking activity and Its Adverse Effect on Transport Airplane and Rotorcraft Structural Integrity,” 24 August 2004, Unpublished final report delivered to the FAA’s Associate Administrator for Regulation and Certification, 800 Independence Ave. SW, Washington, DC 20591
- B8 Scientific Advisory Board (SAB), Committee data from the personal files of C. F. Tiffany (i.e., the 1970/71 F-111 Special SAB. Committee chaired by Prof. Holt Ashley of which C. F. Tiffany was a member)
- B9 Tiffany, C.F. et al., “*Aging of U.S. Air Force Aircraft*,” Appendix covering Structural History of the F-111, National Research Council report NMAB-488-2, National Academy Press, Washington D.C., Sep 1997.
- B10 Department of Defense, Military Standard, MIL-STD-1530A, “Aircraft Structural Integrity Program, Airplane Requirements,” 11 Dec 1975.
- B11 Department of Defense (USAF); Military Specification, Mil-A- 83444 titled, “Airplane Damage Tolerance Requirements,” 2 July 1974.

APPENDIX C ACCIDENTS / INCIDENTS RESULTING FROM MAINTENANCE DEFECTS/DEFICIENCIES

APPENDIX C.1 Beech 99 Commuter Aircraft Accident Summarized by Thomas Swift



Figure C1: Photo of Beech Commuter Aircraft

A Beech 99 commuter aircraft with a single spar wing was being maintained. During this maintenance a fastener was removed by knocking the head off with a hammer and chisel as illustrated in Figure C2. This action left a sharp fragment of the head on the shank of the fastener, which gouged the side of the fastener hole as the fastener was being driven out. The spar was re-assembled without removing the groove and the aircraft was returned to service. During a routine inspection, 2100 flight hours later in July 1990, a fatigue crack was found that had nucleated at the groove and propagated to the edge of the flange as shown in the photo in Figure C3. A limit load application would have failed the wing. The spar had a 10,000 hour fatigue life limit based on the most critical fastener hole in the spar cap. The gouge in the side of the hole is clearly a “*maintenance defect*”[C1].

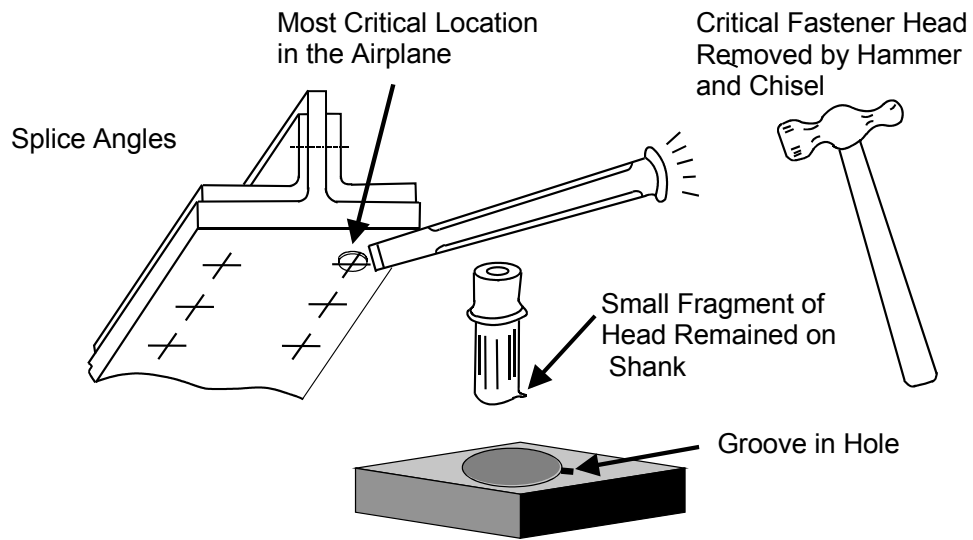


Figure C2: Details of Maintenance Action that Led to Damage

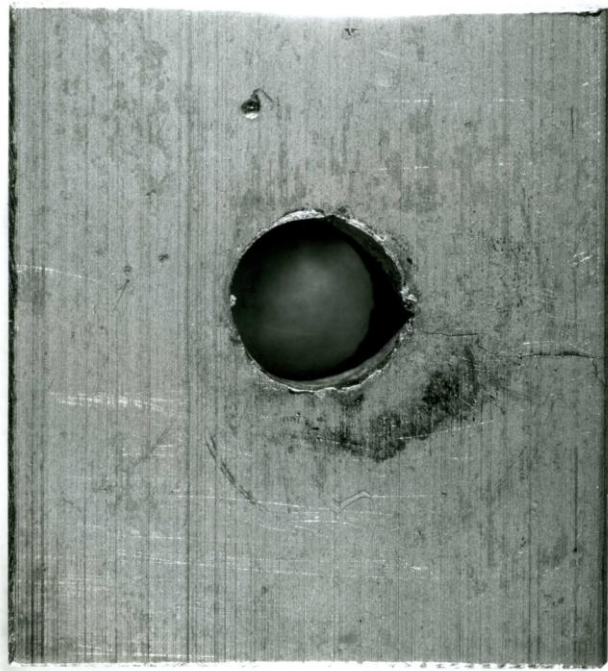


Figure C3: Photo of Damaged Hole and Cracked Spar Cap

APPENDIX C.2
Eastern Airlines Boeing 727
Accident Summarized by
Charles F. Tiffany with input from
Thomas Swift and Jack McGuire



Figure C4: Photo of Boeing 727 Aircraft

The second example concerns an Eastern Airlines 727 that suffered sudden cabin decompression caused by fatigue cracking induced by the X-Acto knife maintenance induced damage as shown in Figure C5. The rivets in the lap splice had been removed to clean out corrosion in the splice. Cold cure adhesive tape had been replaced and the excess tape trimmed off with an X-ACTO knife. The knife created a sharp gouge in the skin that became sites for the nucleation of fatigue cracks. Separate fatigue cracks linked together to form a long crack which eventually fast fractured and caused decompression. Fortunately, the fast fracture was successfully arrested by the aluminum crack stoppers located at the circumferential frames as shown in the sketch. The very large damage ‘crack arrest fail-safe’ capability designed into this fuselage saved this aircraft [C2, C3].

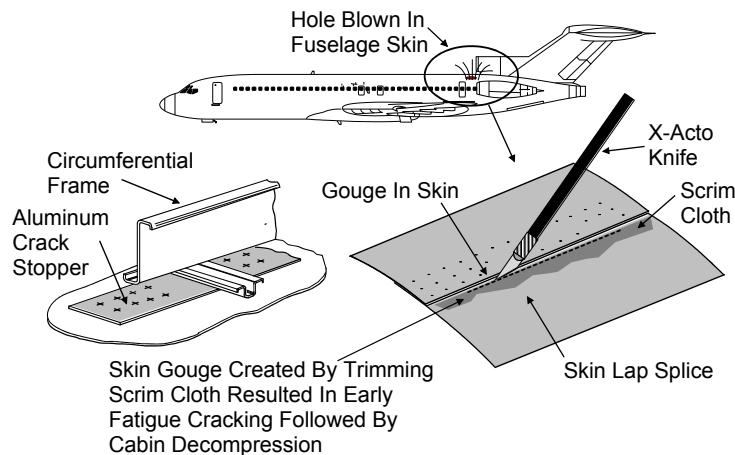


Figure C5: Maintenance Action that Led to Skin Failure by Fatigue

Photographs of the arrested damage are shown in Figure C6.

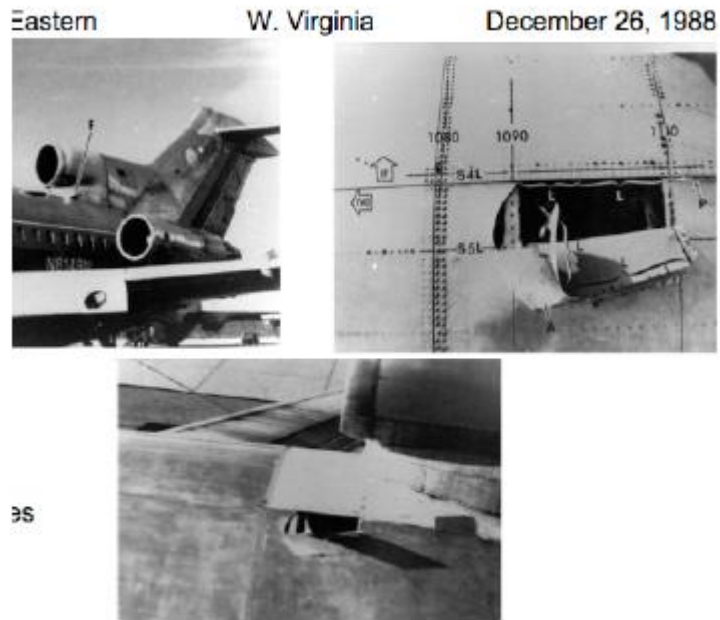


Figure C6: Photos Illustrating the Structural Damage Resulting from Fatigue Skin Failure

APPENDIX C.3
American Airlines McDonnell-Douglas DC-10
Accident Summarized by
Charles F. Tiffany with Input from
Thomas Swift



Figure C7: Photo of DC-10 Aircraft

One of the most dramatic examples of a major airplane accident caused by maintenance damage was the crash of American Airlines DC-10 Flight No. 191 during takeoff from Chicago O'Hare field on May 25, 1979. This crash resulted in the loss of 273 lives (271 in the aircraft and 2 on the ground). During this takeoff, the No. 1 engine and pylon separated from the aircraft and flew up and over the port wing and fell back on the runway behind the aircraft (See Figure C8). As a result of this engine and pylon separation damage was inflicted to the wing leading edge slat and the hydraulics system. The loss of hydraulics fluid caused the outboard leading edge slats to retract. While the system failures in themselves should not have been fatal, the retraction of these leading edge slats (which was unknown to the flight crew) had a profound effect on the aircraft's aerodynamic performance and controllability. With the port outboard slats retracted and all others extended, the lift on the port wing was reduced and the stalling speed increased. With little or no warning of the wing stall, the crew was unable to compensate for the asymmetric condition and was unable to prevent the crash [C4-C6].

From the detailed investigation it became clear that the pylon separation began when the upper flange of the rear bulkhead in the pylon failed. There was a pre-existing 10-inch long crack plus a total of about 3-inches of fatigue growth in this upper flange. A crescent shaped deformation of the upper flange exactly matched the radius of the wing clevis fitting. This strongly suggested that the flange had been cracked when the pylon and engine was being removed or reinstalled during maintenance. Further investigation revealed that both American and Continental Airlines had devised an expedited procedure using a fork-lift for removing and reinstalling the engine and pylon as a single unit rather than separately removing the engine and then the pylon as recommended by the airplane manufacturer. This expedited procedure under certain

circumstances could result in very large impact loads at the rear bulkhead attachment point and inflict the type of damage observed. Inspection of other DC-10s where this expedited removal procedure was used revealed eight other aircraft with cracks ranging from 3 to 6-inches long. While the manufacturer, McDonnell-Douglas Aircraft, had designed the airplane including many areas of the pylons to be fail-safe, it was not fail-safe for this particular failure scenario. The rear bulkhead itself was split to achieve fail-safety, but the upper flange on the forward half of the bulkhead was a single load path, and when the upper flange failed, the loss of the pylon and engine ensued.

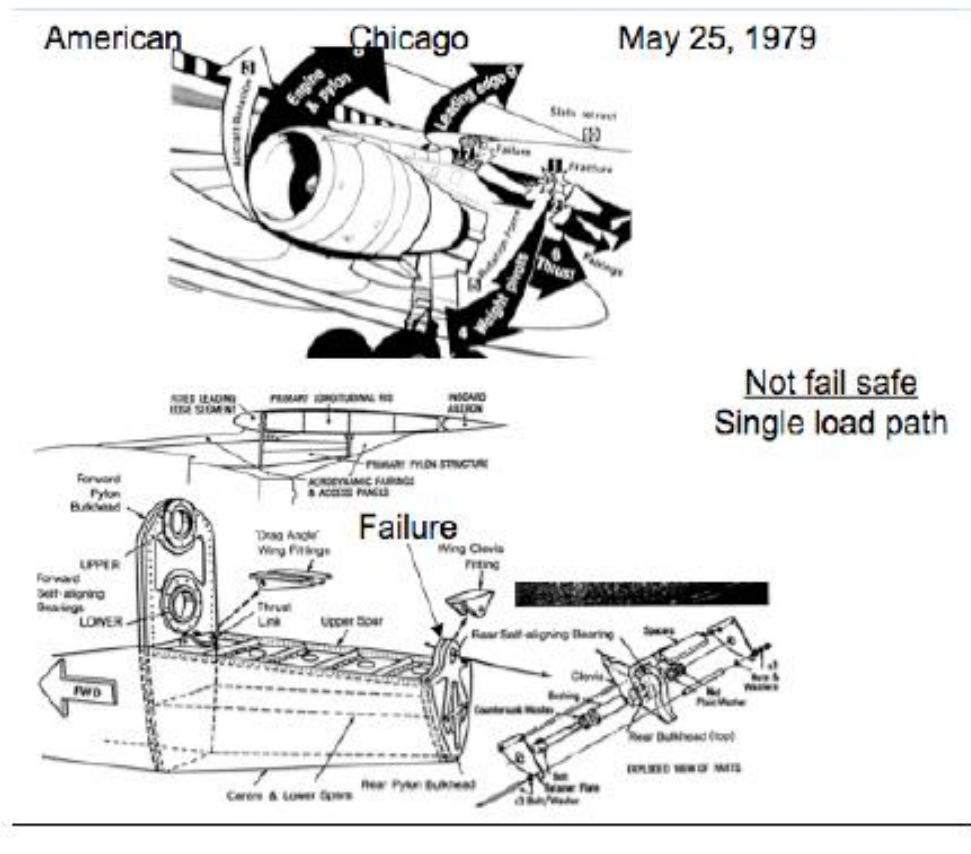


Figure C8: Diagrams Illustrating Nature and Result of the Maintenance Damage in the Cause of a DC-10 Pylon Failure

APPENDIX C.4
Japan Airlines Boeing 747SR
Accident Summarized by
Charles F. Tiffany with Input from
Thomas Swift and Jack McGuire



Figure C9: Photo of Boeing 747SR Aircraft

On August 12, 1985 a JAL 747 crashed in the mountains in the Guma prefecture of Northern Japan resulting in 520 fatalities. This airplane had flown 18,700 flights at the time of the accident. The probable cause of this accident was the rupture of the rear pressure bulkhead that released a massive outflow of air into the previously unpressurized compartment aft of the bulkhead. This high pressure air then overcame the outflow vent door capacity and overloaded the vertical stabilizer so that about one-third of it was lost. There was additional collateral damage in that the rudder actuation hydraulic valve, fed by all four independent hydraulic systems for fail-safety, was lost causing all hydraulic fluid to be lost. The aircraft was able to continue flying for 32 minutes using engine differential thrust for control [C7,C8].

The rear pressure bulkhead of this aircraft had been damaged due to a tail strike in Osaka on June 16, 1978. At that time the aircraft had experienced 6516 pressurized flights. Boeing sent a maintenance team to Japan to conduct the repair. The domed bulkhead is made up of pie shaped pieces of 2024-T3 spliced together with two rows of rivets as shown in the sketch below. The lower half of the bulkhead was replaced due to damage. During the repair one row of the rivet holes had insufficient edge distance so a splice plate was installed over a 36-inch length of the bulkhead web as also shown in Figure C10 [C2, C7, C8].

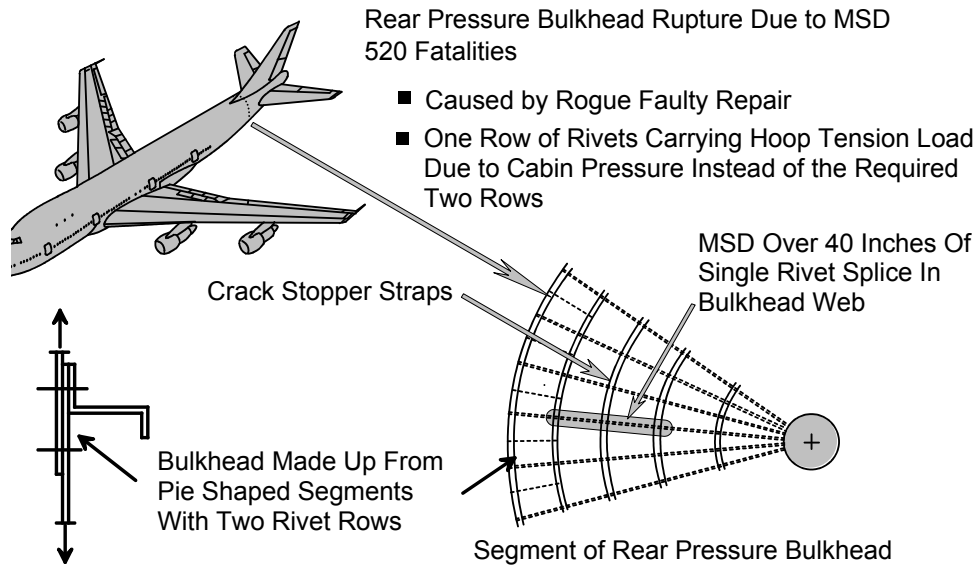


Figure C10: Sketches of Location of Failure in 747SR Rear Pressure Bulkhead

The splice plate was incorrectly installed in two pieces as shown in Figure C11 such that only one row of rivets was carrying load. Because of this overload, multi-site-damage initiated over a 40 inch length of the bulkhead web splice at the single row of rivets. The multi-site damage linked up into a critical crack, which did not arrest, because of the MSD, and caused the bulkhead to fail. Subsequent to this accident Boeing redesigned the bulkhead with heavier “super” tear straps.

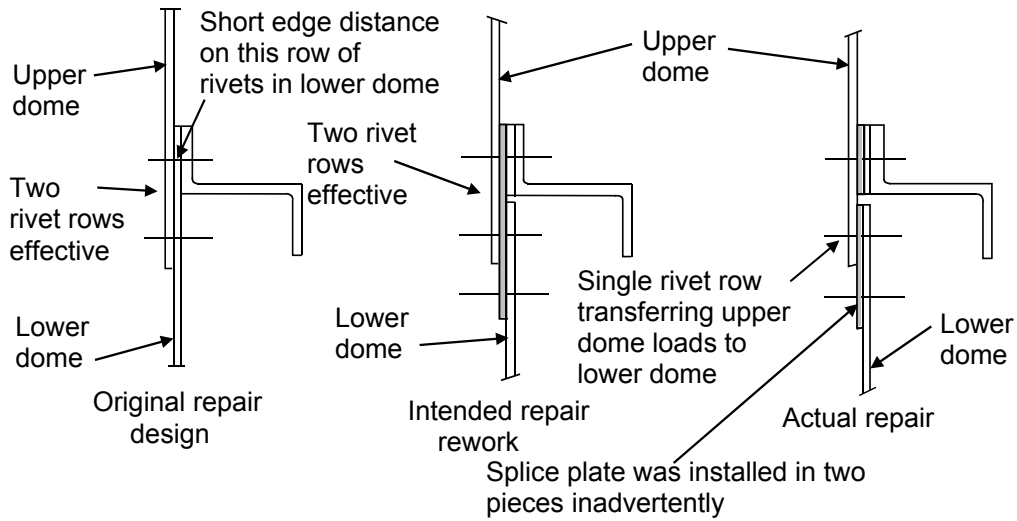


Figure C11: Construction Details Associated with Initial and Repaired 747SR Rear Pressure Bulkhead

In addition to the manufacturing defect of the two-piece splice plate, the rivets in the single row were “clinched” as indicated in the photographs and sketches shown in Figure C12. Clinching is caused by misaligning the bucking bar to the rivet. Consequently the head is smeared to one side leaving a gap in the hole as shown in the figure. A clinched rivet does not properly fill the hole and will result in a much earlier crack initiation. Along with the high stresses caused by the single rivet row these repair defects contributed to the early development of the multi-site damage. In fact, it is quite possible that if these rivets had been properly bucked the airplane would have been retired before the accident took place.

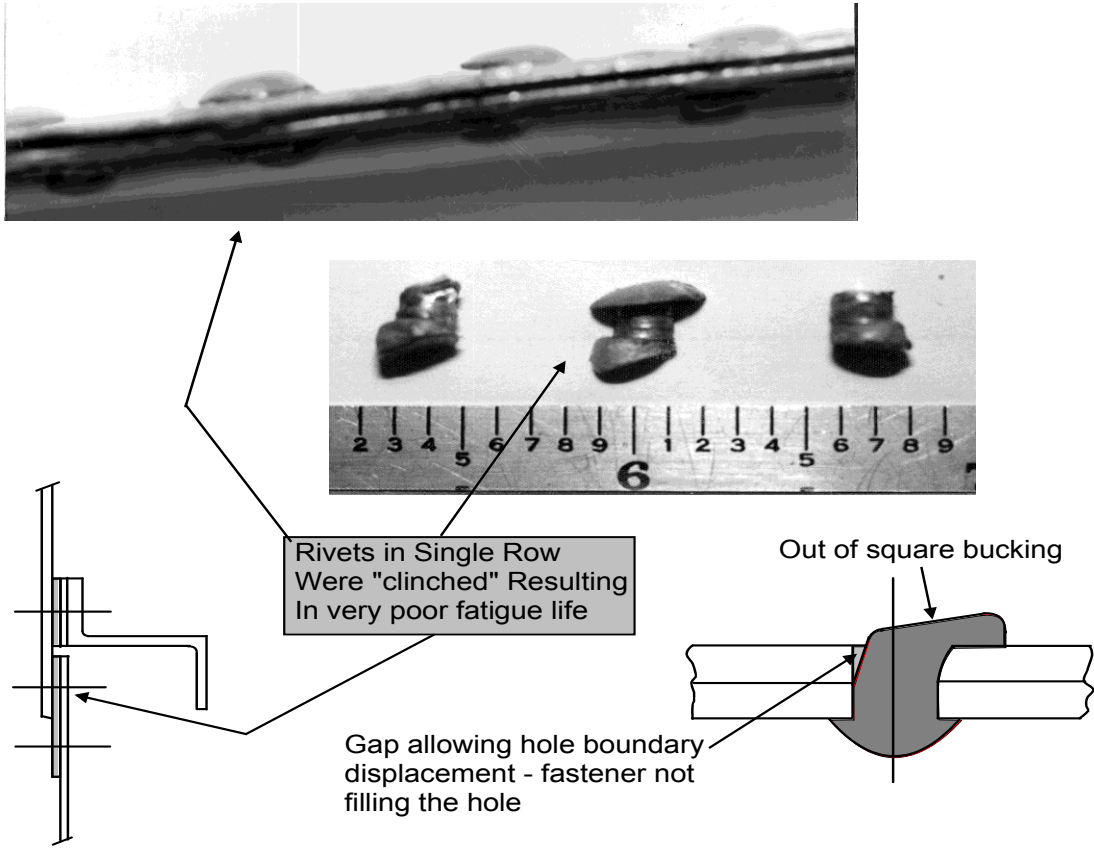


Figure C12: Photos Illustrating Rivet Damage on 747SR Rear Pressure Bulkhead

APPENDIX C.5
China Airlines Boeing 747
Accident Summarized by
Charles F. Tiffany with input from
Steven Chisholm



Figure C13: Photo of Boeing 747-200

On May 25, 2002 China Airlines Flight C1611, A Boeing 747-200 experienced an explosive decompression at an altitude of 34,900 feet. The aircraft was on a scheduled flight from Taipei, Taiwan to Hong Kong, China when it crashed into the Taiwan Strait 23 miles northeast of Makung, Penghu Islands. There were 225 fatalities (206 passengers and 19 crew members). The aircraft had accumulated 20,400 flight cycles compared to the original design goal of 20,000 cycles [C9-C11].

The Republic of China's Aviation Safety Council concluded that the in flight breakup of Flight C1611 was the result of structural failure of the lower aft lobe of the pressurized fuselage. They concluded that the structural failure was in turn due to a faulty repair of damage that occurred to the lower lobe some 22 years prior to the accident flight. On February 7, 1980 this aircraft (which was nearly new at the time) suffered a tail strike while landing in Hong Kong. This tail strike resulted in scrapes to the fuselage both in the pressurized Section 46 and the non-pressurized Section 48 tail cone. Temporary repairs were made the next day and permanent repairs were made on May 23 through 26, 1980, No permanent records of these repairs were found and the China Airlines staff indicated that they considered the repairs to be minor and thus it was not necessary to keep records or report them to Boeing [C12].

Inspection of the recovered skin panels indicated that the repairs were not made in accordance with the Boeing Structural Repair Manual (SRM). The SRM said that the scrape marks (i.e., sharp edged scratches) must be cleaned up and if they exceed 15% of the skin thickness in depth the damaged area must be removed and repaired with a doubler or the skin panel replaced. The scratches did exceed the allowable depth, were not completely cleaned up by sanding and were covered up with a doubler that did not extend sufficiently beyond the damaged area. In fact the longitudinal scratch that initiated the fatigue crack that led to the fuselage failure was located under the doubler, but just beyond (and in some areas through) the outer row of fasteners, which

attached the doubler to the fuselage skin. Thus the doubler was ineffective in reducing the applied hoop stress in the skin at this longitudinal scratch.

During the interim 22 years of service subsequent to the repair, fatigue cracks initiated at the root of this scratch at numerous sites, grew through the thickness and linked up forming a 15.1-inch long through the thickness crack centered at fuselage station 2100. Some multiple site cracking (MSD) was present both forward and aft of this crack which formed a total length of about 25.4 inches. It is evident from fretting marks and additional crack arrest and fatigue marks that the actual crack length that existed just prior to the final failure was very much longer. Based on the fretting evidence the Aviation Safety Council concluded that the crack length that existed at the time of the accident had to be at least 71-inches. Based on the indications of crack arrest followed by increments of fatigue striations, The Boeing Materials Technology organization (BMT) estimated the final crack length to be about 93-inches long. See Figure C14.

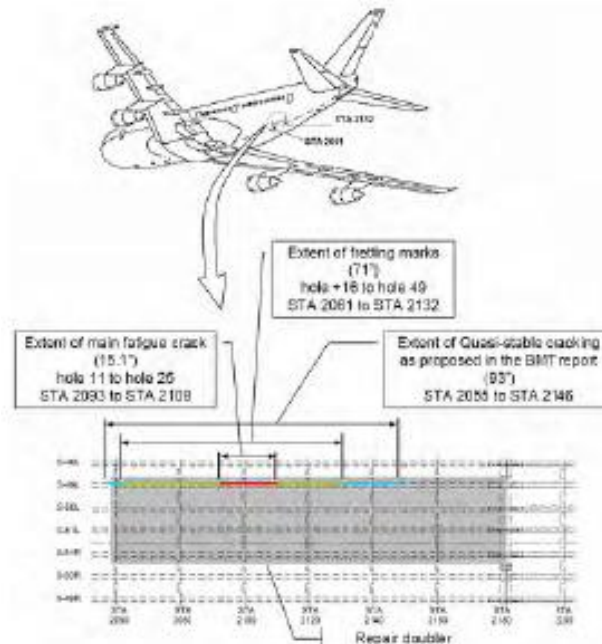


Figure C14: Crack Location under Edge of Repair Doubler [C9]

The repair doubler was made from 0.063-inch thick 2024-T3 aluminum and was 23-inches wide by 120 inches long,

Figure C15 is a photograph of a portion of the fracture face showing bands of fatigue growth following increments of unstable crack growth and arrest (i.e., termed quasi stable growth by BMT). Each of the bands of fatigue growth represents a number pressurization cycles. Note that the crack location is outside the outer row of fastener holes, but still covered by the doubler.

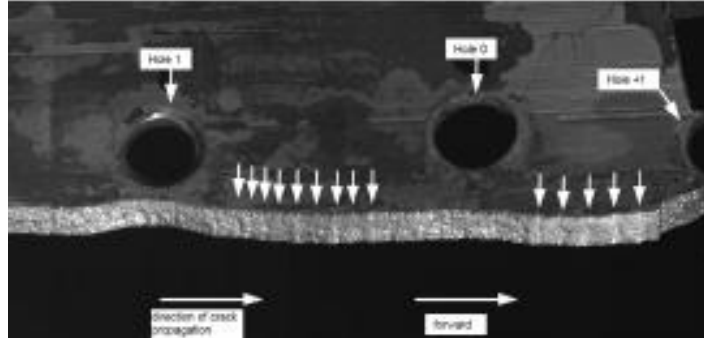


Figure C15: Quasi-stable Crack Growth Identifying Numerous Starter Cracks (Prior to Final Fracture) [C9].

Boeing developed a non-linear finite element model to predict the effect of the doubler on the residual strength vs. crack length, when the skin was cracked in the observed location and not allowed to bulge because of the doubler. The analysis indicated that the doubler does increase the residual strength by a small amount and the crack length at failure was increased from about 50 inches to about 58 inches when the doubler was installed. This was attributed to the doubler allowing increased load redistribution around the cracking area and a small decrease in the crack tip stress intensity. This result is shown in Figure C16. It is noted that this prediction is conservative when compared to the previously mentioned 71 inch and 93 inch values. At any rate the structure has a very large damage capability in excess of a two bay crack length.

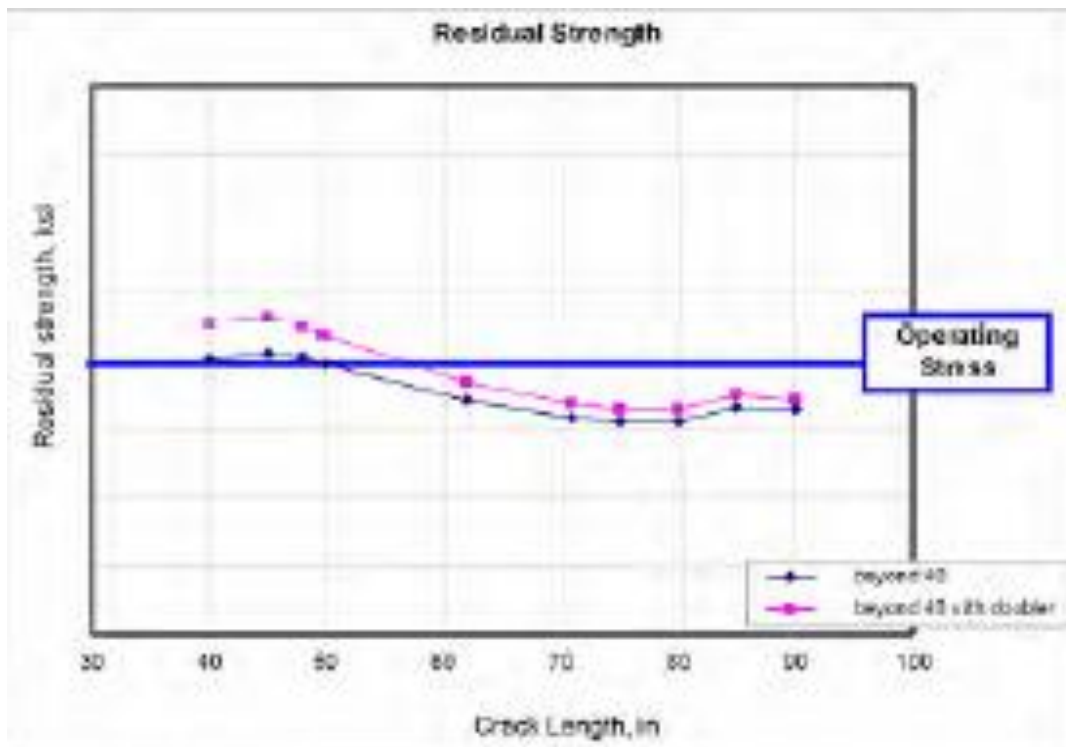


Figure C16: Predicted Residual Strength vs. Crack Length [C9]

The author of this summary report has a few observations that are important when attempting to prevent future accidents like shown in this accident. They are as follows:

1. As evidenced by the metallurgical evaluation of this accident and the residual strength analyses performed by Boeing, it is clear that the Boeing 747 fuselage has a significant large damage capability. This, of course, is also supported by other incidences contained in this report. However, this China Airlines accident emphatically illustrates that to be fail-safe the large damage (i.e., the arrested crack) must be detected and timely corrective actions taken to preclude a complete failure.

2. It is apparent that the doubler designed and installed by China Airlines not only deviated from the Boeing SRM requirements (by not removing the damaged material and not making the doubler sufficiently large), but it also had a highly adverse effect on the ability to readily detect the fatal skin crack.

a.) The doubler prevented visual detection from the exterior of the aircraft during walk around ground inspections or during more than 20 heavy maintenance checks that were performed prior to the accident flight. While records indicate that the interior of the aft lower lobe was visually inspected during a zonal inspection in January 1999, the area was not cleaned prior to the inspection and no magnifying glass was used. No NDI devices were used in any of the inspections of this area.

b.) The doubler inhibited skin bulging at the crack when the fuselage was pressurized thus tending to significantly reduce air leakage, which otherwise may have provided in-flight evidence of the problem.

3. It seems ironic that instead of restoring the structural integrity of the fuselage after the 1980 tail strike (as would have been the case had the SRM been followed) the China Airlines repair did not significantly slow the initiation and growth of the fatal crack and actually destroyed fail-safety that likely would have saved the aircraft had the repair not even been performed.

APPENDIX C.6
Chalk Airways Grumman Mallard G-73
Accident Summarized by
Charles F. Tiffany



Figure C17: Photo of Grumman Mallard (G-73)

On December 19, 2005 the right wing separated on Chalk Airway's G-73 seaplane shortly after takeoff from Miami, and the crash into the coastal water killed all 20 aboard. The wing was recovered from the water on Dec. 20 and National Transportation Safety Board (NTSB) engineers and metallurgists quickly observed that the wreckage indicated fatigue fracture of the wing spar (see photo below). As an immediate result, Chalk's grounded its remaining fleet of G-73 airplanes. The Federal Aviation Administration did not order grounding, preferring instead to advise operators of what happened. The December 23 advisory was followed a week later by an emergency airworthiness directive (AD) ordering inspection of the affected structure and reporting the results to the FAA in order for the agency to have a better appreciation of the extent of the problem. Frakes Aviation (formerly Grumman American) developed the nondestructive inspection procedure that was used [C13, C14].

The investigation determined that the right wing separated because of preexisting fatigue fractures in a double drilled fastener hole in the lower skin and rear lower spar cap. They said that this fatigue damage reduced the residual strength capability of the right wing structure, leading to the failure. Examination of the wreckage disclosed that a major repair had been made to the lower right-wing spar at the location where the wing separated from the fuselage. Maintenance records provided to the Safety Board, however, didn't contain any entry for this repair.

There had been a history of fuel leaks near the area where the wing failed, and the investigators said these leaks were indicators of structural damage inside of the wing. Had the leaks been properly addressed, the extent of the problem could have been discovered, the NTSB reported. However, that would not necessarily have made the airplane safe, according to the investigators. Metallurgical examination also showed significant fatigue cracks affecting the airplane's left

wing, including one crack on the left-wing front spar lower cap that had extended from an area of corrosion damage and had begun to progress fairly rapidly. The Safety Board said that had the airplane not experienced the catastrophic failure of the right wing, the crack in the left wing likely would have led to a catastrophic failure. The Board said that the company's maintenance program was ineffective at identifying and correcting the long-standing structural problems that led to the in-flight separation of the right wing. The company's Director of Operations was quoted in the NTSB's report as defending the safety of airplanes in its fleet and pointing to the company's 86-year unblemished safety record before the time of the accident. However, the NTSB report referenced seven accidents or incidents involving Chalk's aircraft before the crash of flight 101.

The Safety Board noted that the FAA inspector who was responsible for overseeing the company's maintenance said it met all FAA requirements, and he was comfortable with the maintenance being performed on Chalk's airplanes. He had conducted an aging-aircraft inspection and records review only a few weeks before the accident. The Safety Board said he should have raised a red flag about the recurring fuel leaks on the accident airplane [C13].

The Safety Board reported there were some other clues that should have caused the FAA to look more closely at maintenance on Chalk's aircraft. Among these were: 1) paperwork from the Department of Transportation expressing concern about the airline's financial condition; 2) an incident in November 2004, when an airplane's elevator cable failed in flight and the airline submitted a Service Difficulty Report to the FAA; and, 3) a landing-gear-fatigue failure incident in 2001. The NTSB concluded that the Chalk's Ocean Airways maintenance program plan was inadequate to maintain the structural integrity of its aircraft fleet.

The NTSB determined that the probable cause of this accident was the in-flight failure and separation of the right wing during normal flight, which resulted from: 1) the failure of the Chalk's Ocean Airways maintenance program to identify and properly repair fatigue cracks in the right wing; and, 2) the failure of the FAA to detect and correct deficiencies in the company's maintenance program.

Figure C18 provides a photograph of the fracture face of the right wing rear spar cap. Note the double drilled hole, which occurred as a result of a repair performed at a significant (but undetermined) time prior to the accident flight. Also, note the fatigue crack growth that occurred.



Figure C18: Photo of the Fracture Face of the Right Wing Rear Spar Cap [C13]

APPENDIX GROUP C REFERENCES

- C1 Swift, Thomas, Personal Files.
- C2 McGuire, Jack F., “*Fail-Safe Requirements for Aircraft Structures*” Presented at the 47th AIAA/ASME/AHS/ASCE/ASE Structures, Structural Dynamics and Materials Conference, Newport, Rhode Island, 1-4 May 2006.
- C3 Swift, Thomas, “*Fail-Safe Design Requirements and Features, Regulatory Requirements,*” Technical paper presented at AIAA Conference, Dayton, Ohio, July 2004.
- C4 NTSB, “*Aircraft Accident Report – American Airlines, Inc.DC-10-10, N110AA, Chicago-OHare International Airport, Chicago, Illinois, May 25, 1979,*” NTSB-AAR-79-19, 21 Dec 1979, Washington DC.
- C5 Report of the DC-10 Science Advisory Group titled, “*An Investigation of the Structural Integrity of the DC10-10 Engine Pylon, July 6, 1979.*” This group reported to Mr. Langhorn Bond, The FAA Administrator and was chaired by Dr. Raymond Bisplinghoff. The other members of the group were Prof. James Mar, C .F. Tiffany, and Prof. Lucien Schmit.
- C6 Swift, Thomas, Personal Files, Mr Swift was the Group Supervisor for the DC-10 Pylon Damage Tolerance Evaluation at Douglas Aircraft Company.
- C7 TOGAA: The Technical Oversight Group on Aging Aircraft, “The FAA’s Recent Rulemaking activity and Its Adverse Effect on Transport Airplane and Rotorcraft Structural Integrity,” 24 August 2004, Unpublished final report delivered to the FAA’s Associate Administrator for Regulation and Certification, 800 Independence Ave. SW, Washington, DC 20591
- C8 Swift, Thomas, Personal Files, Mr Swift was a member of the NTSB accident investigation team.
- C9 The Republic of China’s Aviation Security Council’s Aviation Occurrence Report, Volume 1 (ASC-05-02-001) titled, “*In-Flight Breakup Over The Taiwan Strait Northeast Of Makung, Penghu Island, China Airlines Flight CI611, Boeing 747-200, B-18255,*” May 25, 2002.
- C10 The Republic of China’s Aviation Security Council’s CI611 Accident Investigation Factual Data Collection Group Report: Structures Group, ASC-AFR-03-06-001, 3 June 2003.
- C11 <http://aviation-safety.net/database/record.php?id=20020525-0>
- C12 Chisholm, Steven A., Comments Mr Chisholm was Boeing Commercial Airplanes Chief Structural Engineer for Technical Support, and participated in this accident investigation, Comments dated June 16 2009 through June 24, 2009.
- C13 NTSB Report, AAR-07/04 titled, “*In-flight Separation of Right Wing, Flying Boat Inc. (doing business as Chalk’s Ocean Airways) Flight 101 Grumman Turbo Mallard (G-73T), N2969, Port of Miami, Florida, December 19, 2005,*” Adapted 30 May 2007, Washington DC.

C14 Various other descriptions of the accident including the Flight Safety Foundation Aviation Safety Network at www.flightsafety.org and from Wikipedia: http://en.wikipedia.org/wiki/Chalk%27s_Ocean_Airways_Flight_101.

APPENDIX D ACCIDENTS / INCIDENTS RESULTING FROM ENVIRONMENTAL DAMAGE

APPENDIX D.1 British-European Airlines Vickers Vanguard 951 Accident Summarized by Charles F. Tiffany



Figure D1: Photo of Vickers Vanguard 951 Aircraft

On October 2, 1971 a British-European Vickers Vanguard 951 in route from London to Salzburg, Austria crashed in Belgium killing a total of 63 passengers and crew. The investigation of this accident revealed that the rear pressure bulkhead had ruptured allowing the pressurized air to enter into the horizontal tail plane blowing off upper skin panels leading to their breakup. This structural failure then caused the airplane to pitch down and dive to the ground. A close examination of the fractured aluminum pressure bulkhead revealed an eighteen-inch wide area of corrosion and disbonded doubler strip near the bottom centerline of the airplane. This corrosion combined with about 2.5-inches of fatigue tears then resulted in rapid propagation and complete rupture of the bulkhead. This fracture initiated at point A shown in Figure D2. Moisture had collected between the frame and the inner surface of the bulkhead due to condensation. The water was unable to drain through a drain hole in the lower end of the frame web (not shown in Figure D2), because it had been inadvertently filled with sealing paste. This water then caused the corrosion, the disbonding of the doubler and the fatigue crack extension at point A [D1, D2].

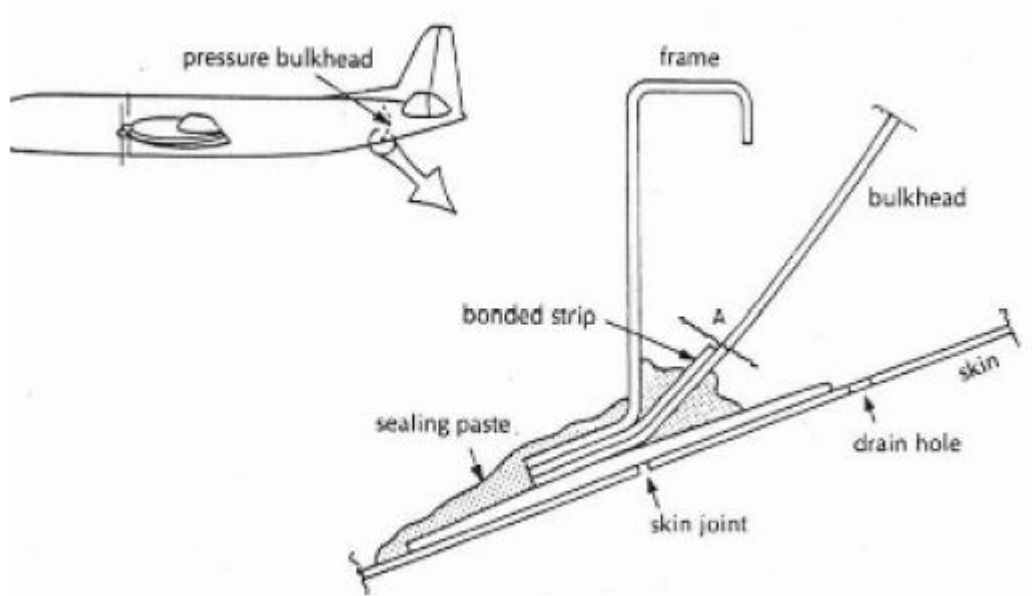


Figure D2: Sketch of Construction Details that Led to Corrosion and Subsequent Catastrophic Failure of the Vickers Vanguard 951 Aircraft

APPENDIX D.2
Far Eastern Air Transport Boeing 737
Accident Summarized by
Charles F. Tiffany and Thomas Swift



Figure D3: Photo of Boeing 737 Aircraft

On August 5, 1981 Far Eastern Air Transport's (FEAT's) Boeing 737 B-2603 lost cabin pressure during a flight from Taipei to Kaohsiung. On August 22, the same aircraft took off from Taipei on a flight to Makung and again lost cabin pressure and then returned to Taipei where some repair work was performed on the pack valves of the environmental control system. Later that same day it again took off as flight number 103 to Kaohsiung. Fourteen minutes after take-off the aircraft suffered an explosive decompression and crashed killing the 104 passengers and 6 crewmembers. The airplane had accumulated 33,313 pressure cycles at the time of the accident [D3].

The investigation revealed that the probable cause of the accident was extreme corrosion in the lower fuselage. There were a number of locations where intergranular corrosion pits had penetrated the skin. In addition, there was exfoliation corrosion that caused extreme thinning of the skin thickness. Investigation of the repair history indicated that there had been six repair patches installed just below stringer S-26L while final fracture occurred at stringer S-27L in the lower lobe of the fuselage. While the investigation was hampered due to difficulty finding the corroded belly skin, a farmer eventually came forward with a section of the skin. This piece indicated very severe corrosion over a length of 65-inches where the thickness had corroded down to 0.01 inches from the nominal design thickness of 0.036-inch. This would result in a hoop stress of about 55 KSI at the normal operating pressure. At this stress level, the fatigue life is negligible and the fail-safety destroyed, since the corrosion damage existed well beyond the design fail-safe damage size (i.e., a two bay crack with a broken central frame). According to the signed inspection records the aircraft had received an internal inspection of the lower lobe structure on June 22, 1981 and an external inspection of the fuselage skin just nine days before the accident. Based on the extreme severity of the corrosion one certainly has to question whether or not the inspections were really performed. A sketch showing the stringer locations and the more severe areas of corrosion is in Figure D4.

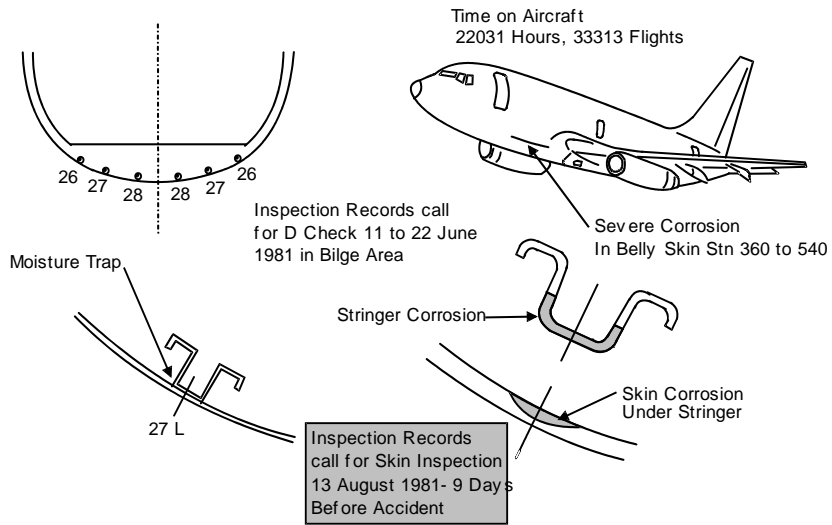


Figure D4: Sketches Illustrating the Locations and Causes of Corrosion on B737 Aircraft

Two photographs of corrosion found in the lower lobe of this aircraft are shown in Figures D5 and D6.



Figure D5: Photo of Skin Corrosion in Lower Lobe of B737 Aircraft



Figure D6: Photo Illustrating Loss of Frame and Stringer Due to Severe Corrosion

While Taiwan was responsible for the accident investigation, a U.S. team consisting of representatives from the NTSB, FAA and Boeing assisted. Tom Swift was the representative from the FAA. While this team waited for portions of the accident aircraft to be recovered, they had the opportunity to examine two other B 737 aircraft that had approximately the same number of flight cycles (33, 274 and 30, 497). One aircraft was another FEAT 737 that was in maintenance for an engine change and the second airplane was a China Airline's 737 that was having some belly skin panels replaced because of corrosion. Mr. Swift reported that the exterior of the FEAT 737 appeared to be clean, but when the interior floor was removed there were five adjacent fuselage frames that were completely corroded through at stringer 26 on the left hand side of the aircraft. The inspection records indicated that this area had been inspected and the corrosion inhibitor LPS3 applied just nine months earlier thus again raising doubts about the validity of the records. These doubts were further reinforced by the fact that it took two days to remove the floor because of severe corrosion in the screws that attach the floor. It is difficult to believe that these same screws had been removed just nine months previously for the inspection.

The skin panels that were removed from the FEAT's Boeing 737 were corroded so severely that that they were paper-thin and could be torn by hand. Mr. Swift pointed out that, in addition to the severe thinning, the intergranular corrosion had caused severe pitting and holes in the skin. He said that it was difficult to imagine how the fuselage ever maintained pressure. Photographs of the skin removed from the B 737 aircraft are shown in Figure D7.

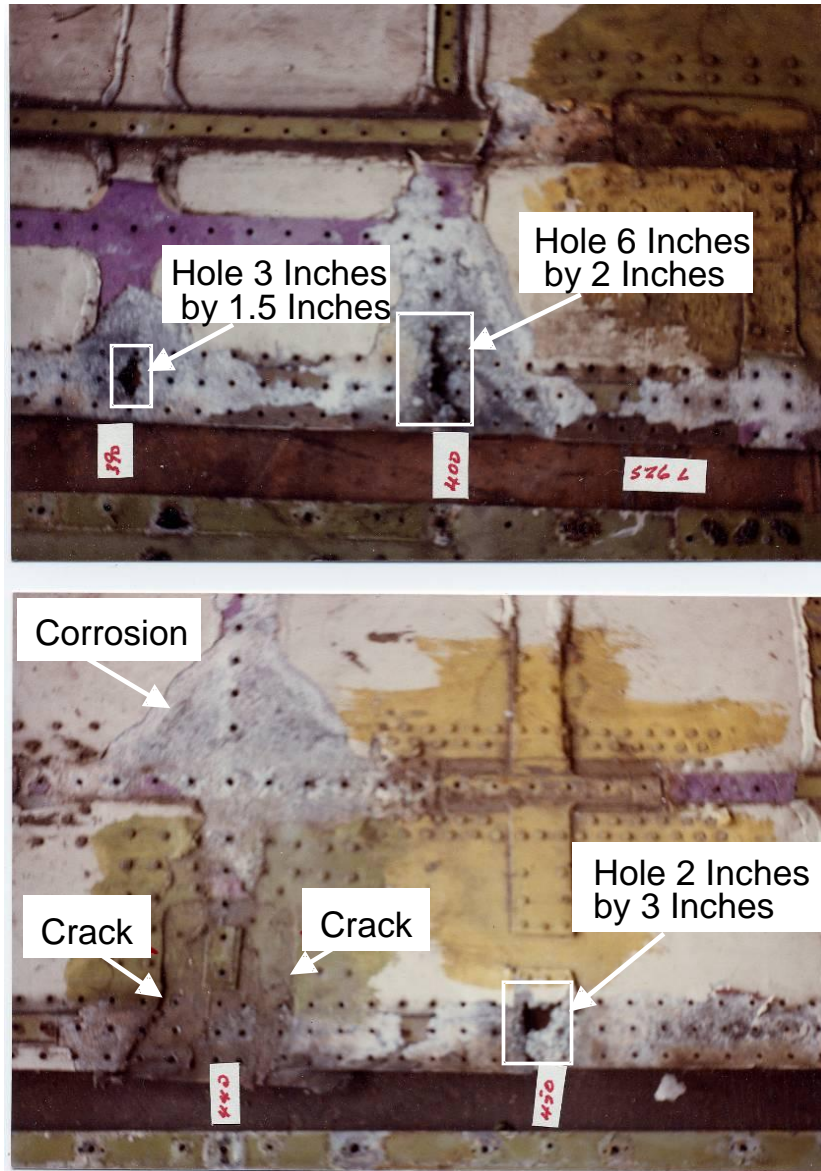


Figure D7: Photos Illustrating Severe Corrosion of FEAT B737 Aircraft

APPENDIX GROUP D REFERENCES

- D1 Macarthur, Job, “**Air Disaster, Volume 4**,” Published by Aerospace Publications Pty Ltd. 2001
- D2 McGuire, Jack F., “*Fail-Safe Requirements for Aircraft Structures*,” Presented at the 47th AIAA/ASME/AHS/ASCE/ASE Structures, Structural Dynamics and Materials Conference, Newport, Rhode Island, 1-4 May 2006
- D3 Based on a first hand account and data and photographs provided by Tom Swift, who was a member of a United States team that assisted the Taiwan Civil Aviation Authority in the failure investigation

APPENDIX E ACCIDENTS / INCIDENTS RESULTING FROM IMPACT FROM GROUND EQUIPMENT

APPENDIX E.1 Alaska Airlines McDonnell-Douglas MD-80 Incident Summarized by Charles F. Tiffany



Figure E1: Photo of McDonnell-Douglas MD-80 Aircraft

Aircraft are occasionally damaged by ground equipment. In the act of servicing aircraft between flights, a great deal of ground equipment operates in close proximity to aircraft fuselages and wings and they occasionally get bumped. Damage may be in the form of simple scratches in the paint or small dents in the skin. However, because aircraft structures (including the outer skin) play such a critical role in the safe operation of a flight, all damage is inspected, measured and possibly tested to ensure that any damage is within safe tolerances. A dent that may look no worse than common "parking lot damage" to an automobile can be serious enough to ground an airplane until a repair can be made [E1].

The seriousness of this problem is illustrated by the December 28, 2005 depressurization incident on Alaska Airlines flight 536. During ground services a baggage handler hit the side of the aircraft with a tug towing a train of baggage carts. This dented the metal skin of the aircraft. This sharp dent was not reported and the plane departed. Climbing through 26,000 feet the cabin pressure and resulting membrane stresses in the skin resulted in skin cracking and arrest. The cabin depressurized and an emergency landing was made. Post landing examination of the fuselage revealed a 12-inch \times 6-inch (30-cm \times 15-cm) hole between the middle and forward cargo doors on the right side of the fuselage (See Figure E2). The fail-safe design of the MD-80 fuselage prevented an explosive decompression, which could have caused the loss of the aircraft and life of those aboard.

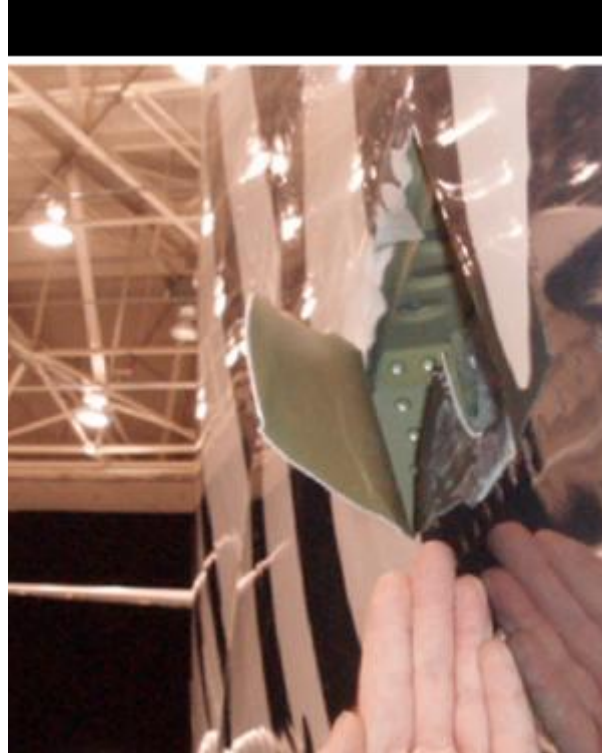


Figure E2: Photo of Skin Failure Following Ground Handling Damage

APPENDIX E.2
Varig Brazilian Airlines Boeing 747
Incident Summarized by
Charles F. Tiffany



Figure E3: Photo of Boeing 747 Aircraft

A 65-inch crack was discovered in the fuselage of a Varig Brazilian Airline 747 aircraft on May 22, 1988. Investigation of the incident revealed that the side of the fuselage had been impacted by an air-stair during ground operations in Bermuda. This impact precipitated the 65 inch long skin crack. Fail-safety was provided by the intact fuselage frames plus adjacent skin [E2].

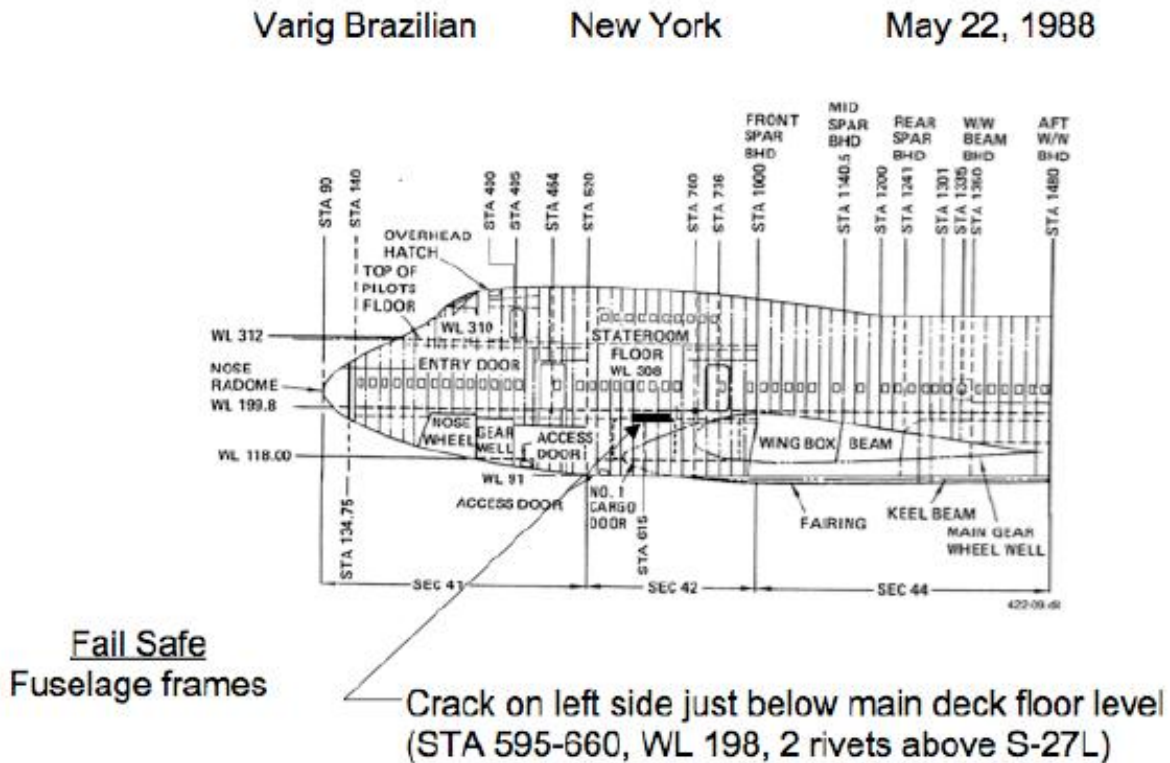


Figure E4: Sketch Illustrating Location of Handling Damage Induced Crack on the B`747 Aircraft

APPENDIX GROUP E REFERENCES

- E1 Incident reported in Seattle Post Intelligencer newspaper by James Wallace, December 28, 2005. Photograph of fuselage depressurization damage obtained from Internet at: <http://www.askthepilot.com/theunthinkable2005.html>
- E2 McGuire, Jack F.; “*Fail-Safe Requirements for Aircraft Structures*,” Presented at the 47th AIAA/ASME/AHS/ASCE/ASE Structures, Structural Dynamics and Materials Conference, Newport, Rhode Island, 1-4 May 2006.

APPENDIX F ACCIDENTS / INCIDENTS RESULTING FROM UNCONTAINED ENGINE FAILURES

APPENDIX F.1 United Airlines McDonnell-Douglas DC-10 Accident Summarized by Charles F. Tiffany



Figure F1. Photo of McDonnell-Douglas DC-10 Aircraft

A United Airlines McDonnell Douglas DC-10, registration number N1819U, on a flight from Denver to Philadelphia suffered a number 2 tail engine failure on 19th July, 1989. The aircraft diverted to Sioux City Airport where it broke up and burned while making a crash landing. There were 185 survivors and 111 fatalities [F1, F2]..

The accident was precipitated by failure of the stage 1 fan disk that had been manufactured by General Electric Aircraft Engines. A type 1 hard alpha particle in the titanium Ti-6l-4V forging in the most highly stressed region of the disk bore was not discovered by the quality assurance program. Fatigue propagated this manufacturing defect to a critical size when fast fracture occurred. The engine had experienced 16,899 cycles at failure.

The FAA formed a team “Titanium Rotating Components Review Team” to investigate all aspects of titanium production. The team visited 23 organizations and facilities as a part of this investigation. This investigation resulted in many changes to process controls throughout the industry. The results of the FAA investigation are contained in “Titanium Components Review Team Report” dated December 14, 1990 [F3]. A photograph of the airplane during its final approach is shown in Figure F2. Figure F3 shows the location and size of the initial manufacturing defect that resulted in the failure of the stage 1 fan disk.



N1819U on its final descent. Note damage on the horizontal stabilizer and fuselage tailcone.

Figure F2: Photo of DC-10 Aircraft on Final Descent to Sioux City

Sketch of Defect Size & Location

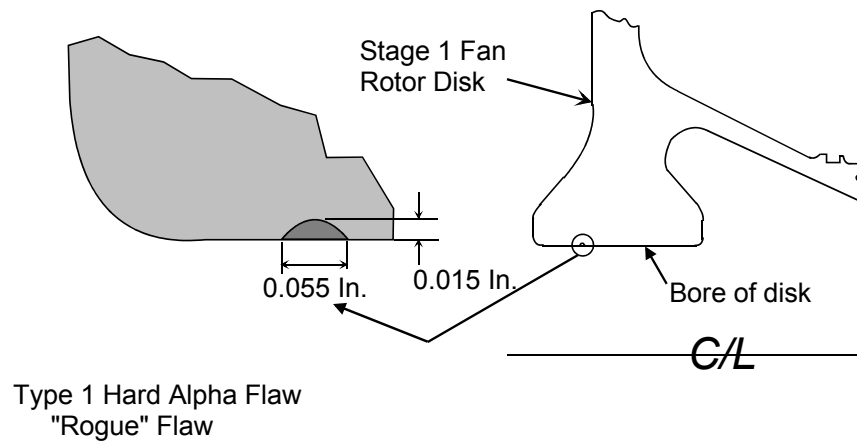


Figure F3: Sketch of General Electric Engine Defect Size and Location

APPENDIX F.2
National Airlines McDonnell-Douglas DC-10
Accident Summarized by
Charles F. Tiffany



Figure F4: Photo of McDonnell-Douglas DC-10 Aircraft

This example addresses the need to design basic structure to tolerate very large damage. A National Airlines DC-10 aircraft, cruising over New Mexico on November 3, 1973 suffered a disintegration of the No. 3 engine. Engine fragments so severely damaged the fuselage that a passenger was ejected through a window. The wing, empennage and the No. 1 engine were also severely damaged as depicted in the sketch shown in Figure F5. The extensive damage to the fuselage did not precipitate an explosive decompression failure because the DC-10 was designed to sustain a two-bay crack and a broken central frame. This very large damage tolerance was achieved through the addition of a titanium crack arresting and crack stopper system [F1, F4, F5].

The National Transportation Safety Board determined that the probable cause of this accident was the disintegration of the No. 3 engine fan assembly as a result of an interaction between the fan blade tips and the fan case. The fan-tip rub condition was caused by the acceleration of the engine to an abnormally high fan speed which initiated a multiwave, vibratory resonance within the fan section of the engine. The precise reason or reasons for the acceleration and the onset of the destructive vibration could not be determined conclusively.

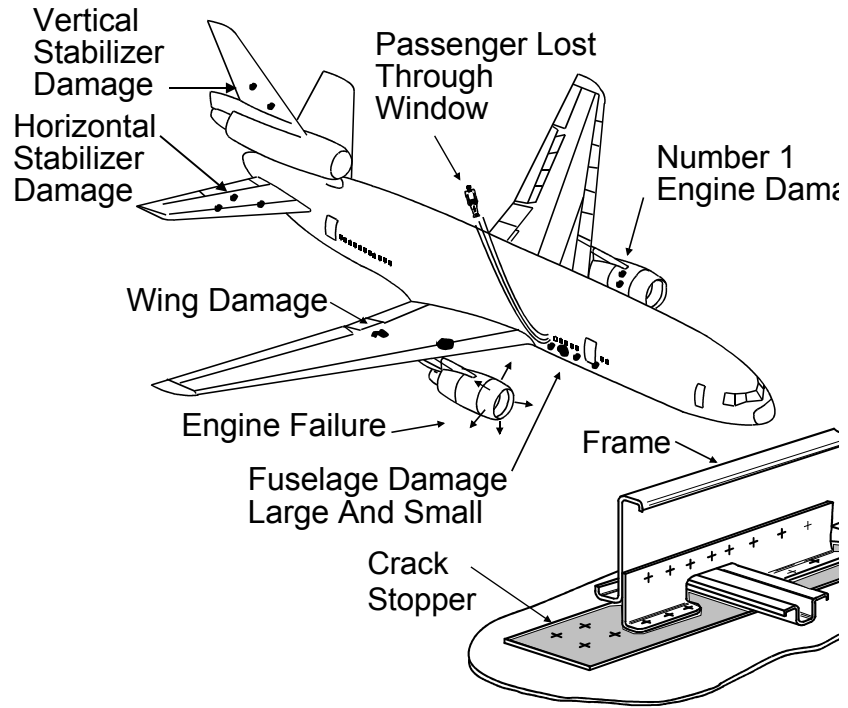


Figure F5: Sketch Illustrating Location of Fuselage Damage Due to an Uncontained Engine Failure and Construction Details

APPENDIX F.3
Air France Airlines Boeing 747
Incident Summarized by
Charles F. Tiffany



Figure F6: Photo of Air France Boeing 747 Aircraft

In May 1971, an Air France Boeing 747 flying out of Paris had a compressor disk failure. The resulting debris penetrated the wing. The photographs in Figure F7 show the wing damage [F6].

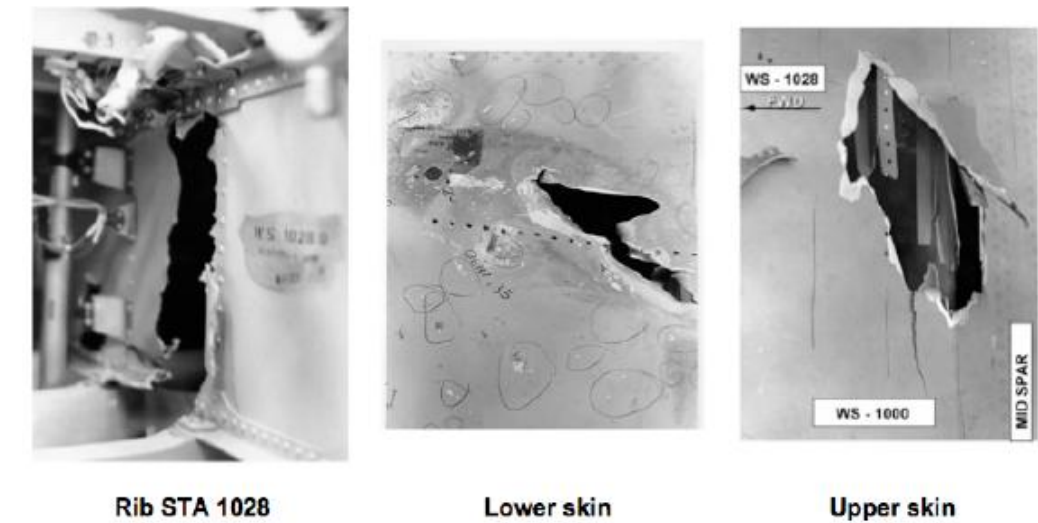


Figure F7: Photos of Wing Damage on the B747 Aircraft Caused By Engine Failure

APPENDIX F.4
UTA Boeing 747
Incident Summarized by
Charles F. Tiffany



Figure F8: Photo of UTA Boeing 747 Aircraft

In January of 1985 a 747 from the French airline Union des Transports Ae'riens (UTA) had an uncontained engine failure while over Zaire. The wing damage is shown in Figure F9 [F6].

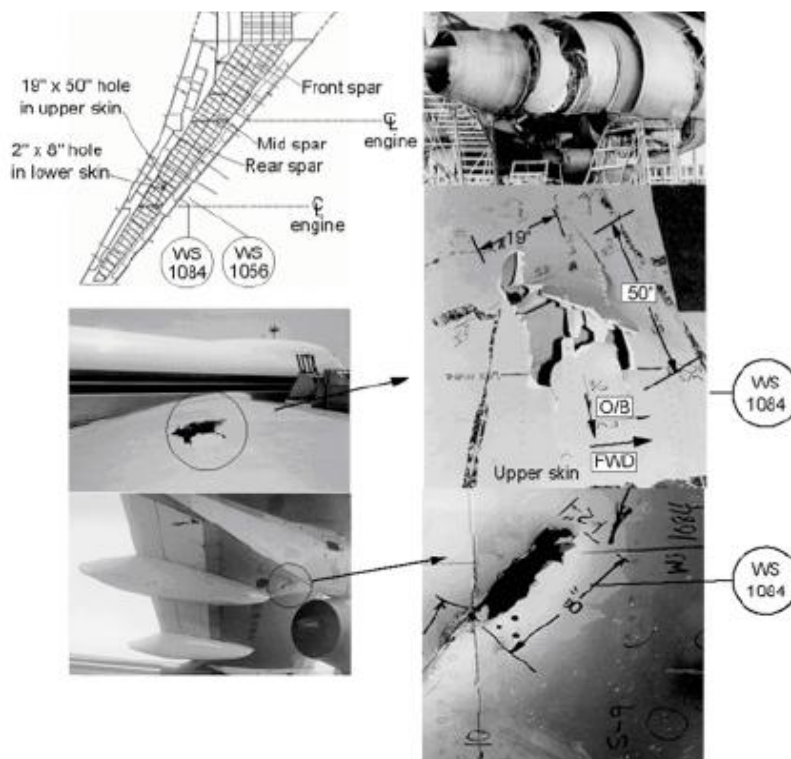


Figure F9: Photos of Wing Damage Caused by Engine Failure

APPENDIX F.5
Delta Airlines McDonnell-Douglas MD-88
Accident Summarized by
Charles F. Tiffany



Figure F10: Photo of McDonnell-Douglas MD-88 Aircraft

On July 6, 1996, at 1424 central daylight time, a McDonnell Douglas MD-88, N927DA, operated by Delta Air Lines Inc., as flight 1288, experienced an engine failure during the initial part of its takeoff roll on runway 17 at Pensacola Regional Airport (PNS) in Pensacola, Florida. Uncontained engine debris from the front compressor front hub (fan hub) of the No. 1 (left) engine penetrated the left aft fuselage (See Figure F11). Two passengers were killed, and two others were seriously injured. The takeoff was rejected, and the airplane was stopped on the runway. The airplane, operated by Delta as a scheduled domestic passenger flight under the provisions of Title 14 Code of Federal Regulations (CFR) Part 121, with 137 passengers and 5 crew on board, was destined for Hartsfield Atlanta International Airport in Atlanta, Georgia [F7].

The National Transportation Safety Board determined that the probable cause of this accident was the fracture of the left engine's front compressor fan hub (i.e., disk) as shown in Figure F12, which resulted from the failure of Delta Air Lines' fluorescent penetrant inspection process to detect a detectable fatigue crack initiating from an area of altered microstructure (i.e., a manufacturing defect) that was created during the drilling process by Volvo for Pratt & Whitney and that the defect went undetected at the time of manufacture.

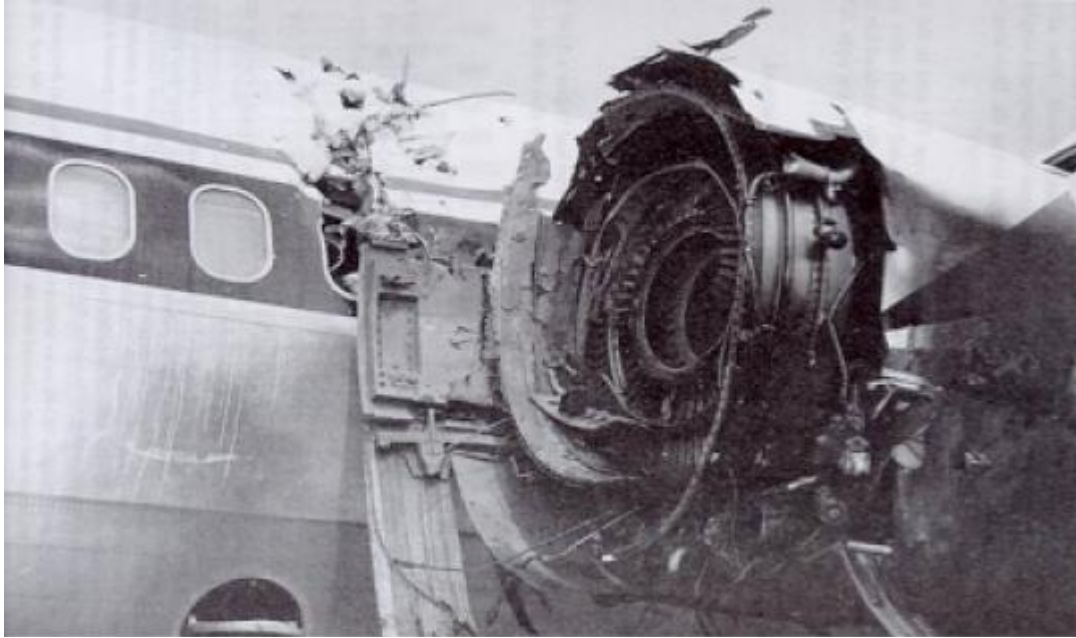


Figure F11. Photo of Engine and Fuselage Damage as a Result of Engine Failure



Figure F12. Photo of Fractured Pratt & Whitney Compressor Fan Disk

APPENDIX F.6
Mesa Airlines Bombardier Regional Jet CRJ 200
Incident Summarized by
Charles F. Tiffany



Figure F13: Photo of Bombardier Regional Jet CRJ 200 Aircraft

On January 25, 2007 a CRJ-200 aircraft operated by Mesa Airlines experienced an uncontained engine failure during a flight between Denver and Phoenix. The No. 1 engine, a GE CF34-3B1, threw a fan disk and blades during cruise. The debris took out the engine's forward cowling and punctured the fuselage as it departed the aircraft as shown in Figure F14 [F8].

While the No. 1 engine experienced a fan disk separation, it resulted in the separation of the inlet, fan rotor assembly, the fan containment case, and portions of the thrust reverser. The airplane reversed course and landed without further incident. Post incident examination revealed damage to the aft portion of the fuselage and empennage. An examination of the remaining airplane systems revealed no anomalies. Portions of the fan disk were recovered and examination of the fan disk revealed fatigue striations emanating from the aft bore corner of the fan disk. The striations came from an area that exhibited characteristics consistent with arc-out damage, which was the result of improper assembly and marking procedures during the electrochemical etching process. This damage was not detected during the manufacturer's quality assurance process used by the manufacturer. Further, the operator did not detect this damage while conducting the inspections prescribed through required airworthiness directives because the inspection procedures required were not detailed enough to detect the arc-out damage and the maintenance personnel did not receive appropriate training. Following the incident, the manufacturer issued alert service bulletins and the FAA issued an airworthiness directive to resolve these issues.



Figure F14: Photo of Damage Associated With Engine Failure

APPENDIX F.7
American Airlines Boeing 767
Accident Summarized by
Charles F. Tiffany

On Friday June 2, 2006, a disk in the GE CF6 No. 1 engine failed during a ground run on an American Airlines 767. The photograph in Figure F15 shows the failed engine. The photograph in Figure F16 shows where the disk fragment passed through the fuselage cutting the lower surface of the center wing box. The photograph in Figure F17 shows where the disk then penetrated the casing of the number two engine on the opposite side of the airplane. The rear fuselage (See Figure F18) and inboard flaps on the port side experienced over heating from escaping combustor gases. It is likely that the airplane could not have survived had the failure occurred during flight and the failed disk followed the same trajectory and stopped the second engine [F9, F10, F11].



Figure F15: Photo of Damage Associated with Uncontained Rotor Failure in a GE CF6 Engine



Figure F16: Photo of B747 Fuselage with Disk Penetration Damage Caused by Uncontained Rotor Failure



Figure F17: Photo of B747 with Disk Embedded in No. 2 Engine Resulting from Uncontained Rotor Failure in No. 1 Engine



Figure F18: Photo of Engine Damage to the B747 Fuselage Resulting From Engine Failure

APPENDIX GROUP F REFERENCES

- F1 TOGAA: The Technical Oversight Group on Aging Aircraft (TOGAA) Final Report, "The FAA's Recent Rulemaking activity and Its Adverse Effect on Transport Airplane and Rotorcraft Structural Integrity," 24 August 2004, Unpublished report delivered to the FAA's Associate Administrator for Regulation and Certification, 800 Independence Ave. SW, Washington, DC 20591
- F2 NTSB Report, AAR90-06 "United Airlines Flight 232 McDonnell Douglas DC-10-10 Sioux Gateway Airport, Sioux City, Iowa, July 19, 1989," adapted 1 Nov 1990, Washington, DC. <http://libraryonline.erau.edu/online-full-text/ntsb/aircraft-accident-reports/AAR90-06.pdf>
- F3 FAA's Titanium Rotating Components Review Team's Report dated Dec. 14, 1990. Tom Swift was a member of this team.
- F4 NTSB Report, AAR75-02, "National Airlines, Inc., DC-10-10, N60NA, near Albuquerque, New Mexico, November 3, 1973," adopted on 15 Jan 1975, Washington DC. <http://libraryonline.erau.edu/online-full-text/ntsb/aircraft-accident-reports/AAR75-02.pdf>
- F5 Swift, Thomas; "Fail-Safe design Requirements and Features, Regulatory Requirements," Technical paper presented at AIAA Conference, Dayton, Ohio, July 2004.
- F6 McGuire, Jack F.; "Fail-Safe Requirements for Aircraft Structures," Presented at the 47th AIAA/ASME/AHS/ASCE/ASE Structures, Structural Dynamics and Materials Conference, Newport, Rhode Island, 1-4 May 2006.
- F7 NTSB, Aircraft Accident Report AAR-98-01, "Uncontained Engine Failure, Delta Air Line Flight 1288, McDonnell-Douglas MD-88 N927DA, Pensacola, Fla., July 6, 1996," adopted on 13 Jan 1998, Washington DC. <http://libraryonline.erau.edu/online-full-text/ntsb/aircraft-accident-reports/AAR98-01.pdf>
- F8 Norris, Guy, "FAA calls for CF-34 Inspections after 25 January Mesa CRJ200 GE CF-34 Uncontained Engine Failure," www.FlightGlobal.com, Feb. 16, 2007.
- F9 NTSB Identification: ENG06IA018.
The docket is stored in the Docket Management System (DMS). Please contact Records Management Division, Nonscheduled 14 CFR, Incident occurred Friday, June 02, 2006 in Los Angeles, CA, Aircraft: Boeing 767-223(ER), registration: N330AA
- F10 Photographs obtained on-line at <http://forums.jetcareers.com/general-topics/69275-american-767>
- F11 <http://aviation-safety.net/database/record.php?id=20060602-0>

APPENDIX G ACCIDENTS/INCIDENTS RESULTING FROM BIRD STRIKES

APPENDIX G.1 Delta Airlines McDonnell-Douglas MD-88 Accident Summarized by Charles F. Tiffany



Figure G1: Photo of McDonnell-Douglas MD-88 Aircraft

On February 18, 2008, a Delta Airlines MD-88 aircraft was damaged when it struck a large bird while on approach to Austin–Bergstrom International Airport (Austin, Texas). The aircraft was in the descent phase of a scheduled flight to Austin from Atlanta. The aircraft landed successfully and there were no injuries. The damage to the aircraft's nose is shown in Figure G2 [G1].



Figure G2: Photo of Bird Strike Damage to Radome

APPENDIX G.2
American Airlines Boeing 767-300
Incident Summarized by
Charles F. Tiffany

On April 2, 2001 an American Airline's 767-300 enroute from Paris to Miami encountered a flock of large birds while climbing through 12,000 feet. The radome, fuselage and wing leading edge all received extensive damage as shown in the photographs below. One of the large birds, believed to be cormorants, penetrated the cockpit area through the radome and forward pressure bulkhead. The aircraft depressurized and the crew landed the plane in Paris with no injuries [G2].



Figure G3: Photo of Bird Strike Damage to B767 Aircraft Just Below the Cockpit Windows



Figure G4: Photo of Bird Strike Damage to Underside of Fuselage of B767 Aircraft



Figure G5. Photo of Bird-Strike Damage to Underside of B767 Fuselage Just Aft of the Radome

**APPENDIX G.3
USAF Lockheed C-130
Accident Summarized by
Charles F. Tiffany**



Figure G6: Photo of C-130 Aircraft

In August of 2005 an Air National Guard C-130 transport aircraft flying near Tacoma, Washington was hit by a bald eagle. As can be seen by the photos in Figures G7 through G9, the bird (obviously in excess of the 4 pound design weight) penetrated a small window on the left side of the cockpit, missed the pilot and splattered against the bulkhead behind the pilot [G3].



Figure G7.: Photo of Bird Strike Damage to Outside of the C-130 Aircraft



Figure G8: Photo of Bird Strike Damage to Front of C-130 Cockpit



Figure G9: Photo of Bird Strike Damage to Interior of the C-130 Aircraft

APPENDIX GROUP G REFERENCES

- G1 Photos and description of the incident available at <http://aircrewbuzz.com/2008/03/bird-strike-damages-radome>
- G2 Photos and description provided by The Boeing Company's Customer Service Organization.
- G3 Photos and description of incident available at <http://www.militaryphotos.net>

APPENDIX H ACCIDENTS / INCIDENTS RESULTING FROM RUNWAY DEBRIS

APPENDIX H.1 Air France Concorde Accident Summarized by Joseph P. Gallagher



Figure H1: Photo of Concorde

On July 25, 2000, 113 individuals lost their lives as a result of an Air France Concorde accident caused by runway debris. All 100 passengers and nine crew members on board perished, and on the ground, four additional individuals died as a result of the crash [H1, H2].

The accident was found to be caused as a result of a relatively small titanium strap that dropped to the runway from a Continental Airlines DC-10 that took off approximately 5 minutes before the Concorde entered the runway. This titanium strap was about 1.2-inch wide and 17-inch long. When this titanium strap struck the tire on the Concorde wheel No. 2 (attached to the left main landing gear) while the plane was traveling at a speed exceeding 190 mph, it caused the tire to disintegrate. Pieces of the tire then impacted, with at least one piece penetrating, the left wing fuel tank No. 5 (above the left main landing gear).

The tire impact and fuel tank penetration was thought to then cause a hydraulic hammer shock which resulted in further catastrophic damage to the fuel tank and a fire. Tire debris and the fire caused the left engines (Nos. 1 & 2) to temporarily shut down, and while the pilots were able to restart the No. 1 engine, it recovered for only a short period of time but later failed completely. The damage to the landing gear prevented it from being retracted making flying difficult. However, it was decided that the major structural damage to the left wing fuel tank and the loss of thrust on the Nos. 1 and 2 made the aircraft incapable of continuing flight; and shortly after leaving the Charles de Gaulle airport, the Concorde crashed.

A large part of fuel tank No. 5 was found on the runway; the other part of this fuel tank was found at the accident site and had a star shaped penetration that measured approximately 0.4-inch by 1.6-inch. This penetration was believed caused by a piece of tire.

A piece of tire weighing about 10 pounds was found on the runway close to the titanium strip along with other pieces of the tire. The titanium strip that fell to the runway from the DC-10 was part of the thrust reverser cowl door for the No. 3 engine. The BEA investigation determined that this strip was not manufactured nor installed in accordance to OEM procedures; this strip was recently replaced on 9 July, 16 days before it fell from the DC-10 during takeoff.

APPENDIX GROUP H REFERENCES

- H1 BEA, "Accident on 25 July 2000 at La Patte d'Oie in Gonesse (95) to the Concorde registered F-BTSC operated by Air France," Report (English) translation, Report no. f-sc000725a, BUREAUDENCLE TES ET D'ANALYSES POUR SECURETE DE L'AVIATION , Ministere De L'Equipment Des Transports et Du Logement, CVLE, France, December 14, 2004.
<http://www.bea-fr.org/docspa/2000/f-sc000725a/htm/f-sc000725a.html>.
- H2 Concorde Flight 4590 crash, retrieved from "<http://en.wikipedia.org/wiki/Concorde>." Wikipedia® is a registered trademark of the [Wikimedia Foundation, Inc.](http://www.wikimedia.org/), a non-profit organization.

APPENDIX I ACCIDENTS / INCIDENTS RESULTING FROM EXPLOSIVE PENETRATION

APPENDIX I.1 Qantas Airlines Boeing 747 Accident Summarized by Charles F. Tiffany



Figure I1: Photo of a Qantas Airlines Boeing 747 Aircraft

On July 25, 2008 a Qantas Airline Boeing 747 enroute to Melbourne, Australia from London was cruising at 29,000 feet when it experienced an explosive decompression of the fuselage. Per standard procedure the plane immediately descended to 10,000 feet and minutes later made an emergency landing at the Manila airport in the Philippines. There were 346 passengers onboard and there were no fatalities or injuries to any of the passengers or crew. Upon post flight examination a large hole was seen in the lower right side of the fuselage just forward of the wing. This is shown in the photographs in Figures I2 through I4 [I1].



Figure I2: Photo of Boeing 747 Fuselage after On-Board Explosion



Figure I3: Close Up View of Boeing 747 Fuselage after On-Board Explosion



Figure I4: Alternate Close Up View of Boeing 747 Fuselage After On-Board Explosion Illustrating Loss of Structure

On August 29, 2008, the Australian Transportation Safety Bureau (ASTB) confirmed that the incident was caused by the bursting of one of two oxygen bottles that were located in this area of the cargo compartment and has been found to be missing. Also, shards from the missing oxygen bottle and the oxygen regulator valve were found in the fuselage. This investigation the failure provides another strong testament to the importance of having fail-safe structures with large design damage sizes.

APPENDIX GROUP I REFERENCES

- I1 Based on several news reports. Photos obtained from <http://www.airlineempires.net>

APPENDIX J ACCIDENTS / INCIDENTS RESULTING FROM WFD

APPENDIX J.1 Aloha Airlines Boeing 737-200 Accident Summarized by Charles F. Tiffany



Figure J1: Photo of Aloha Airlines Boeing 737 Aircraft

At 1:25 PM on April 28, 1988 Aloha Airlines Flight No. 243 departed Hilo, Hawaii with a crew and 89 passengers on board. When leveling off at 24,000 feet, there was an explosive decompression of the fuselage, whereby the upper portion of the forward fuselage separated from the airplane. One flight attendant was swept out of the airplane, but the passengers who still had their seat belts fastened remained on board, and the pilot was able to successfully land the airplane. Several of the passengers and crew sustained injuries. A photograph of the airplane is shown Figure J2 [J1, J2].



Figure J2. Photo Illustrating Extent of Aircraft Damage to Boeing 737 Aircraft Following Failure Due to Widespread Fatigue Damage

The extent of the damage is shown in the Figures J3 and J4.



Figure J3: Sketch Illustrating Side View of Fuselage with Missing Area of Boeing 737 Aircraft

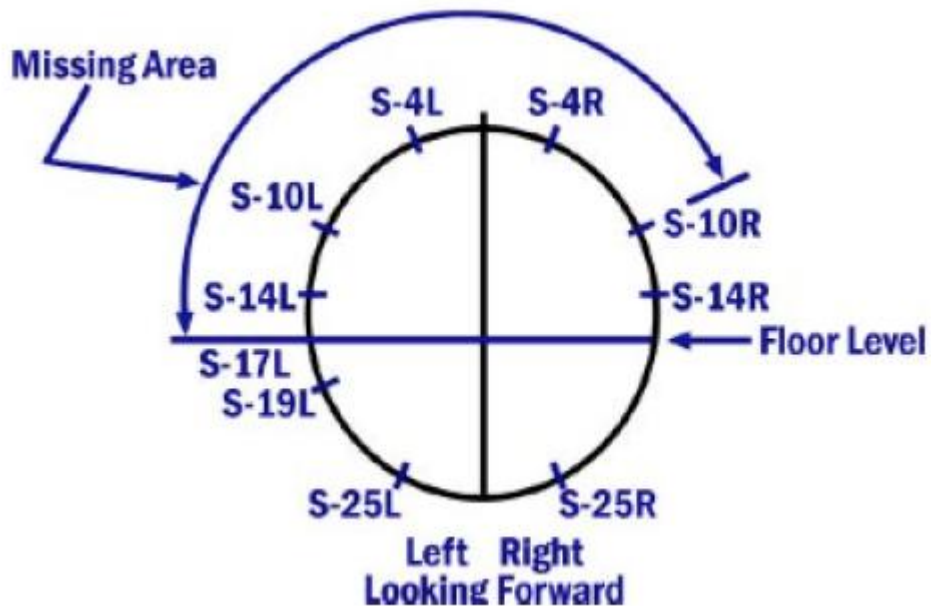


Figure J4: Sketch Illustrating the Fuselage Missing Area from a View Looking Forward

This accident was a watershed event in that it highlighted the fact that a fail-safe design will not ensure structural safety after the structure encounters the onset of widespread fatigue damage (WFD). This normally occurs late in the aircraft's operational life, but this onset can be accelerated by other factors as it was in this case. At the time of the accident the airplane had 89,680 flight cycles compared to the design service objective of 75,000 flight cycles thus it was considered to be an aging aircraft.

The investigation of the failure revealed that it initiated in the upper row of rivets in the stringer no. 10 (S-10) longitudinal lap splice that was a cold bonded and riveted joint. Boeing used this cold bonded design in the first 291 737 aircraft. However, it was later discovered that cold bonded joints can be subject to disbonding when moisture is present. When this occurs all of the pressure induced hoop load is transferred through the rivets rather than the bonded surface. This induces very high stress concentrations at the knife edge countersinks in the outer skin and fatigue cracks initiate. This is illustrated in the sketches shown in Figures J5. and J6.

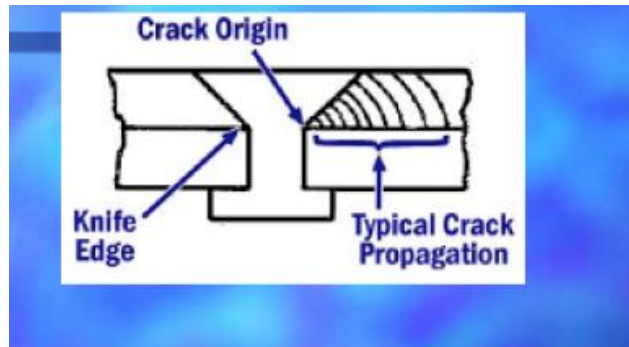


Figure J5: Sketch Illustrating the Development of Small Fatigue Cracks in the Skin

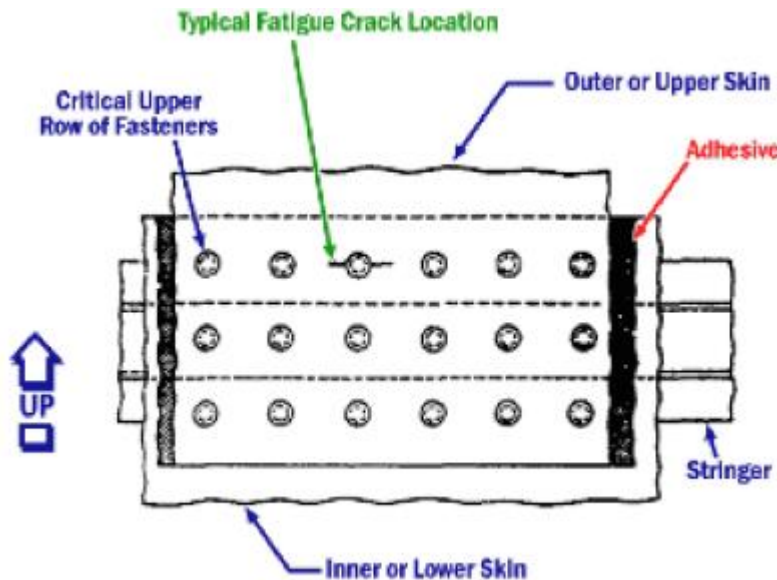


Figure J6: Sketch Illustrating the Location of Small Fatigue Cracks in the Skin

At the onset of WFD fatigue cracks have initiated in adjacent fastener holes and have reached the size and density that the large damage fail-safety no longer exists. If allowed to continue to grow the cracks will link up thus forming a lead crack, which will result in unstable rapid propagation when it reaches its critical size. However, because of the initiation of small cracks in the fastener holes ahead of the lead crack it will not arrest at the frames and tear straps and complete catastrophic failure will ensue. The onset of WFD and the formation of a lead crack is illustrated in the sketch Figure J7.

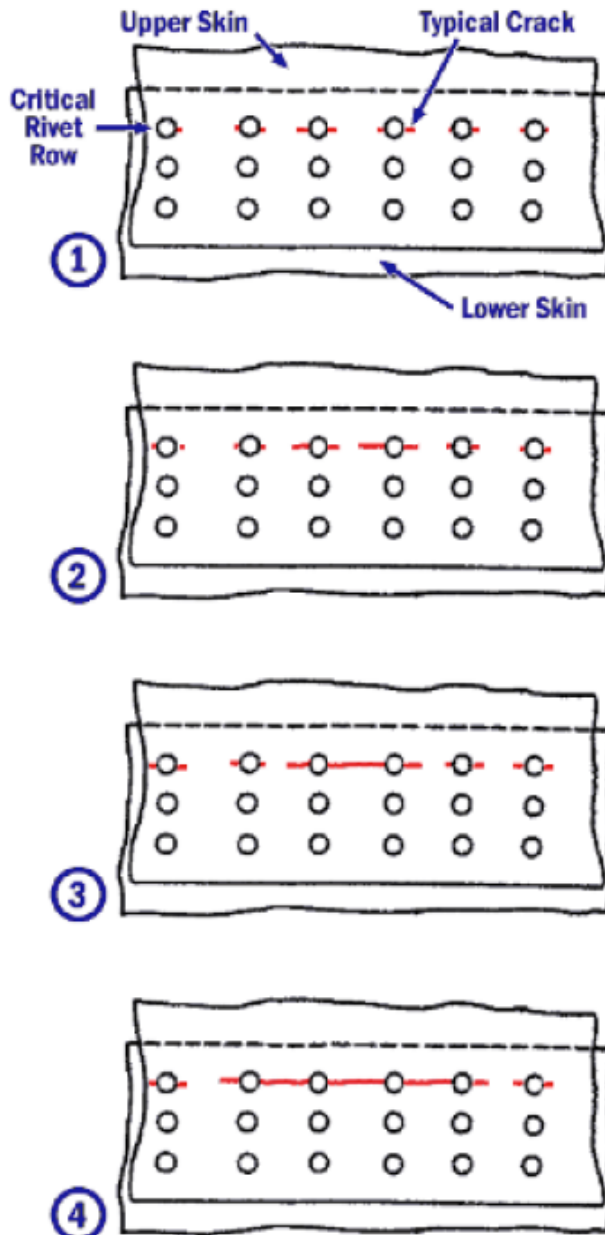


Figure J7: Sketches Illustrating the Development of Small Fatigue Cracks in the Skin

This was the progression of the crack growth at the S-10 longitudinal lap splice in the Aloha 737 fuselage; unfortunately, the lead crack was not discovered (and repaired) prior to the accident flight, since the recommended inspections were never performed.

On Boeing 737 aircraft beyond the 291st aircraft manufactured, the lap splice joint design was improved with the incorporation of a moisture resistant hot bonded doubler, which was expected to substantially delay the onset of WFD. This improvement is compared to the original design in Figure J8.

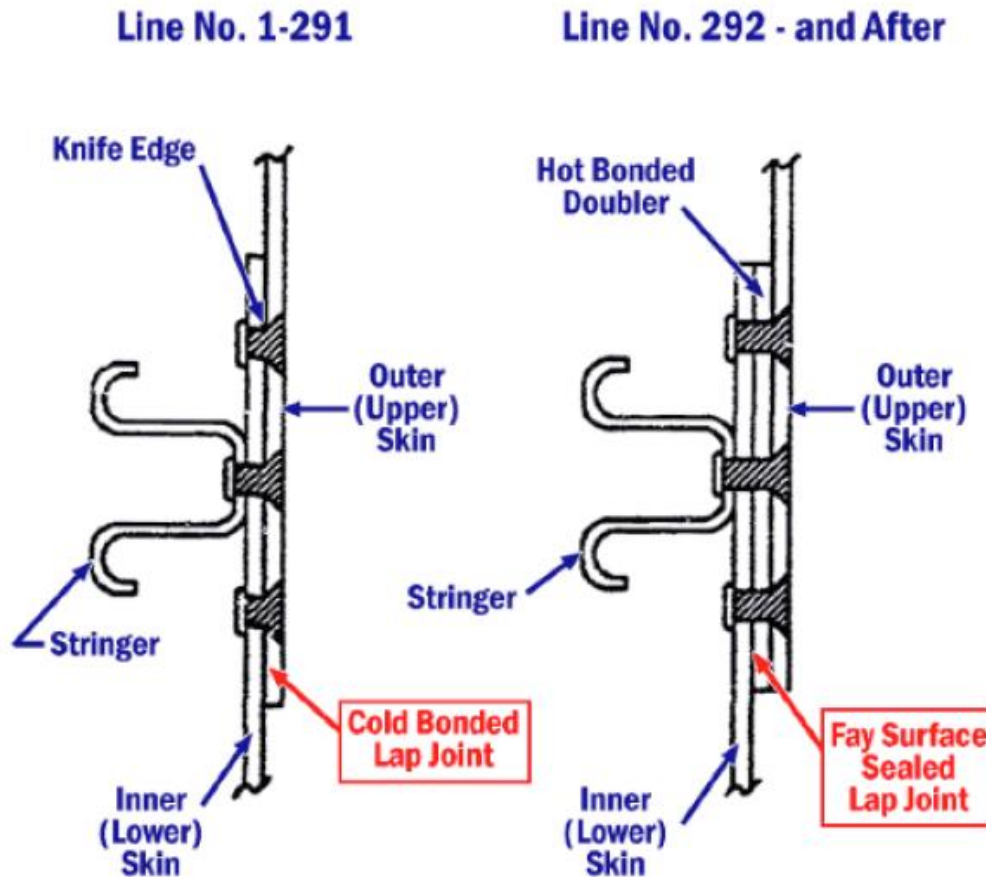


Figure J8: Sketches Illustrating the Lap Splice Joint Designs of the B737 Aircraft

Subsequent to this accident and failure investigation the FAA took a number of actions directed towards the prevention of further Aloha type accidents plus the broader issue of dealing with aging aircraft. They also formed an independent Technical Oversight Group on Aging Aircraft (TOGAA), which stayed in existence for nearly a decade and one half. This group guided revisions to rules and advisory circulars that relate to fatigue, damage tolerance and widespread fatigue cracking.

APPENDIX J.2
US Forest Service C-130A
Accident Summarized by
Joseph P. Gallagher



Figure J9: Photo of US Forest Service/Hawkins & Power Aviation C-130A [J3]

About mid-afternoon on June 17, 2002, a Lockheed C-130A owned by Hawkins & Powers Aviation (and operated under contract to the US Forest Service (USFS)) crashed while performing a fire-fighter mission (i.e., a fire retardant drop over a mountain drainage valley) near Walker CA, destroying the aircraft and killing all three crew members. A video of the accident showed both wings separating the aircraft as it pulled out of its fire retardant drop [J3]. Analysis of the video showed that the right wing separated first. A brief history of the accident aircraft which was converted from USAF military service to fire fighting operations is summarized in Table J1.

Table J1. Accident Aircraft C-130A History

Owner/Operator	Tail No.	Dates of Ownership	Flight Hours History	Mission/Role
USAF	USAF SN 56-0538	1957-1978	0 - 19,546.8	Military Transport Service
USAF	USAF SN 56-0538	1978-1988	19,546.8	Desert Storage
USFS/Helet Valley Flying Service (Contractor)	Registration No. N134FF	1988	19,546.8	Acquire/Contract for Installation of Retardation Tanks
Hawkins & Powers Aviation (Contractor)/USFS	Registration No. N130NP	1988-2002	19,546.8 - 21,863	Purchase and Operate as Fire Fighting Air Tanker

The NTSB found that the probable cause of the accident was due to an inflight failure of the right wing due to fatigue cracking in the center wing lower skin and underlying structural members [J4]. The wing detached at the center wing box beam to fuselage attachment location [J.2.c]. The NTSB also found that a factor contributing to the accident was inadequate maintenance procedures to detect fatigue cracking [J4].

At the time of the accident, the crack in the right wing was approximately 12-inch long (A picture of this fatal crack can be found in J5). This crack developed from two cracks that originated in fastener holes in the lower wing skin under a forward external doubler at Center Wing Station (CWS) 56R at the stringers 16 and 17 location. The cracked fastener holes join the external doubler and the internal stringers to the lower skin panel. The fastener-hole cracks grew as undetected cracks, coalesced and then further grew to the critical length. The fatal crack was found to have propagated past the area where they would have been covered by the doubler and into the stringers beneath the doubler and across the lap joint between the middle skin panel and the forward skin panel [J6].

The firefighting C-130A aircraft received restricted category special airworthiness certificates from the FAA with associated operating limitations. Table J2 summarizes the purpose of each restricted category certificate received and the associated operating limitations. What is obvious from the table is that the firefighting aircraft would be operated in accordance with (IAW) the USAF's operating, service and maintenance technical orders (T.O.s). What is not obvious from the table is that the firefighting community did not track the rate at which damage was rapidly accumulating as a result of the more severe firefighting operating. Thus, Hawkins and Powers Aviation (H&P), the maintainer, did not adjust inspection periods to account for this effect.

The firefighting industry commissioned a firefighting tanker airplane flight envelope performance study during the period between 1983 and 1989. The purpose of this flight load survey was to establish the loads experienced fire service aircraft. Airspeed and g-load exceedances were recorded. The envelope performance study revealed that the exceedances on the instrumented airplanes were outside the operating envelope specified by the Type Certificate or Supplemental Type Certificate. Note that the C-130A aircraft were not used as part of this envelope performance study.

It did not appear that the firefighting industry envelope performance study was accompanied with any subsequent fatigue evaluations of the effect of the fire service mission on the fatigue cracking behavior of these fire service aircraft. In their narrative, the NTSB summarized the results of fatigue life evaluations that determined the impact of fire fighting operations on three other aircraft. In one case, the fatigue evaluation implied that there was no life effect; however, in the other two fatigue evaluations, substantial negative impacts to the life of aircraft structure were noted [J6]. Subsequent to the accident, Lockheed estimated that the fire service mission was more severe than normal military operations for the C-130A aircraft, i.e., requiring inspections to be accomplished 12 times more frequently than for typical military transport service [J6].

Table J2. Airworthiness Certificate Category and Operating Limitations

H&P Application Date/FAA Certification Date	FAA Office	Restricted Category Airworthiness Certificate	Accompanying Operating Limitations
10 Dec 1988/ 15 Dec 1988	Phoenix Manufacturing Inspection Satellite Office (MISO)	Special Airworthiness certificate issued IAW 14.CFR 21.185(b); the application indicated that the aircraft which conformed to the type design 14 CFR 21.33 & Type Certificate (TC) A15NM, rev.2	Aircraft must be operated IAW USAF Technical Order (T.O.) 1C-130A-1 (airplane flight manual) and serviced and maintained in compliance with USAF T.O. 1C-130A-2-1 through 1C-130A-2-13
28 Dec 1988/ 8 Aug 1989	Helena Flight Standards District Office (FSDO)	Reissued for the purpose of Carriage of Cargo	Same operating, service and maintenance requirements
1 June 1998	Casper Flight Standards Field Office (FSFO)	Rescinded and issued new certificate for the following special purpose operations: agriculture missions, forest and wildlife conservation, aerial surveys, and any other type of operation approved by the FAA	New Special Operating Limitation sheet which required compliance with the same operational service and maintenance required by USAF T.O.s as previously required, but added a requirement that the company use a self-developed maintenance document entitled "H&P-C-130A Inspection Guide"

In its support to the NTSB, Lockheed also estimated that for the fatal crack size, “the center wing failed at a load that was approximately 30 percent of the design ultimate strength of the center wing and that the presence of fatigue cracks in multiple locations and in multiple structural elements reduced the residual strength to approximately 50 percent of the design limit load and compromised the fail safety capability of the structure.” The NTSB also summarized for the Lockheed report that, “Failure was likely caused by a symmetric maneuver load exceeding 2.0g during the final drop of the fire retardant.” The vertical load factor associated with the final drop was estimated by the NTSB to be ~ 2.4g [J6]. Lockheed’s analysis certainly makes the case that the onset of multiple element damage, a form of widespread fatigue damage, had already occurred.

While the fire service C-130A aircraft were being inspected in accordance with the USAF T.O. 1C-130A-36 inspection manual, there were no specific inspection requirements for cracks in the fastener holes under the external doublers located at CWS 56R or 56L. The C-130A was designed with two external doublers on each side of the wing; these doublers were located inboard and outboard of CWS 61. The C-130A aircraft was the only C-130 mission design series (MDS) aircraft with this doubler configuration. The later C-130 MDS aircraft had a single doubler located at CWS 61. The 1C-130A-36 (inspection manual) had crack inspection instructions for the area of the inboard doublers at CSW 56, but no unique inspection requirement for the cracks in the fastener holes beneath these doublers. The H&P-C-130A Inspection Guide, also called the Inspection Planning Guide, (IPG-182) followed these same inspection instructions.

The NTSB [J6] also summarized Lockheed's 1970's service life analysis tests on major C-130 components (including the center wing). Results of the evaluation for military mission profiles and environmental data at the time indicate that the service life endurance point was 19,384 flight hours. The service life endurance point is defined as the life where 50% of the center wings would be expected to have major repair or replacement due to fatigue cracks.

Comparing the number of aircraft flight hours on the failed C-130A firefighting aircraft, and that of the center wing service life endurance point, 21,863 and 19,384 hours, respectively, it is apparent in hindsight that the maintenance/inspection program should have been revised for more thorough detailed inspections at a number of C-130A potential cracking locations to maintain airworthiness.

Two Aviation Week and Space Technology articles followed the impact of the C-130A accident and a similar PB4Y aircraft accident that resulted from a fatigue-related wing failure on the firefighting capability of the US Forest Service [J7, J8].

APPENDIX GROUP J REFERENCES

- J1 NTSB Report AAR-89/03, "Aloha Airlines, Flight 243, Boeing 737-200, N73711, Near Maui, Hawaii April 28, 1988," adopted on 14 June 1989, Washington DC.
<http://libraryonline.erau.edu/online-full-text/ntsb/aircraft-accident-reports/AAR89-03.pdf>)
- J2 Tiffany, C.F., Personal Files. As a member and past chairman of TOGAA many hours were spent investigating the Aloha accident and WFD, and compiled much data on the subject. Also, Thomas Swift was the FAA representative on this failure investigation.
- J3 Taken from a video of the accident, which is available on
http://www.1001crash.com/telechvideo-video-tanker_CA-Ig-2-descr-oui.html
- J4 NTSB, Brief of Accident (Findings), ID LAX02GA201, adapted April 23, 2004.
- J5 Aviation Week & Space Technology, September 2, 2002. p.48
- J6 NTSB, Factual Report Aviation, Narrative, ID LAX02GA201, adapted May 1, 2003;
http://www.nts.gov/ntsb/brief2.asp?ev_id=20020621X00954&ntsbno=LAX02GA201&akey=1.
- J7 M. A. Dornheim, "Metal Fatigue Cited in Firefighter Crashes," Aviation Week & Space Technology, October 2, 2002;
http://www.aviationweek.com/aw/jsp_includes/articlePrint.jsp?storyID=news/aw1002fire.xml&headline=nul.
- J8 W. B. Scott, "Accidents Raise Concern for Safety of Aging Firefighting Aircraft, Aviation Week & Space Technology, August 2, 2002;
http://www.aviationweek.com/aw/jsp_includes/articlePrint.jsp?storyID=news/aw080549.xml&headline=nul.

APPENDIX K HISTORICAL SUMMARY OF U.S. TESTING APPROACHES FOR DEMONSTRATING AIRFRAME FAIL-SAFETY

by
Charles F. Tiffany and Thomas Swift

In the 1950s Boeing conducted about 30 guillotine tests on pressurized sections of the 707 fuselage (called Quonset huts), where blades were dropped through various structural configurations until crack arrest designs were achieved. Figure K1 is a photo of an early 707 Quonset hut showing several arrested blade penetrations [K1].

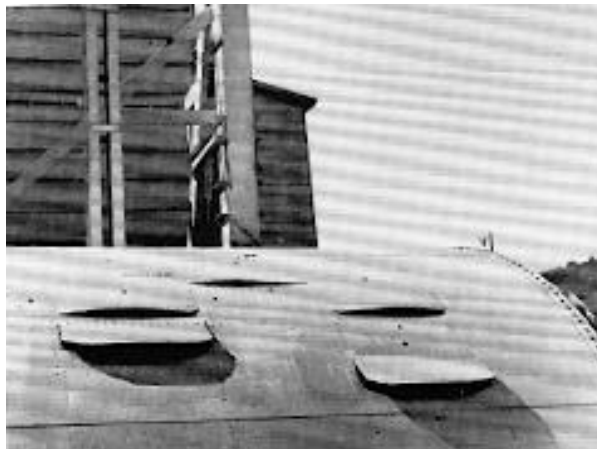


Figure K1: Boeing 707 Quonset Hut Test

Several of the 707 guillotine tests demonstrated arrested longitudinal crack lengths greater than 2 frame bays in length. The maximum-recorded length was 43.6 inches. The fail-safety of the 707 fuselage was subsequently demonstrated by an Aer Lingus incident in 1970 when a fuselage frame failed and a 40 inch skin crack was arrested. See Appendix A.10 for a discussion of the Aer Lingus incident in the Compendium of Accidents/Incident Data.

Fuselage fail-safe tests were continued with the development of the 737, but with a double bladed guillotine so as to sever the central frame as well as the skin. The test fixture is shown in Figure K2; the double bladed penetration is shown in Figure K3; and, the final two bay arrested crack with broken frame is shown in Figure K4.

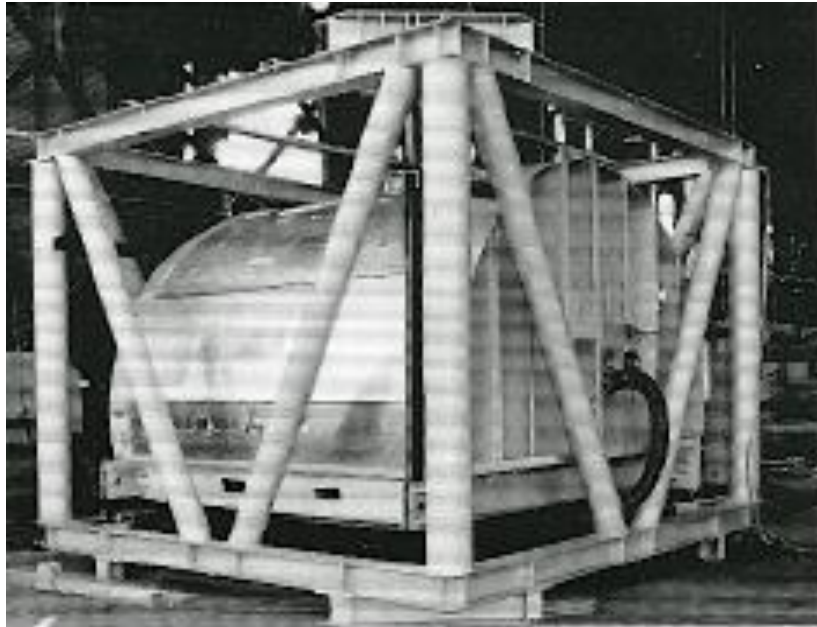


Figure K2: Boeing 737 Quonset Hut Test Setup

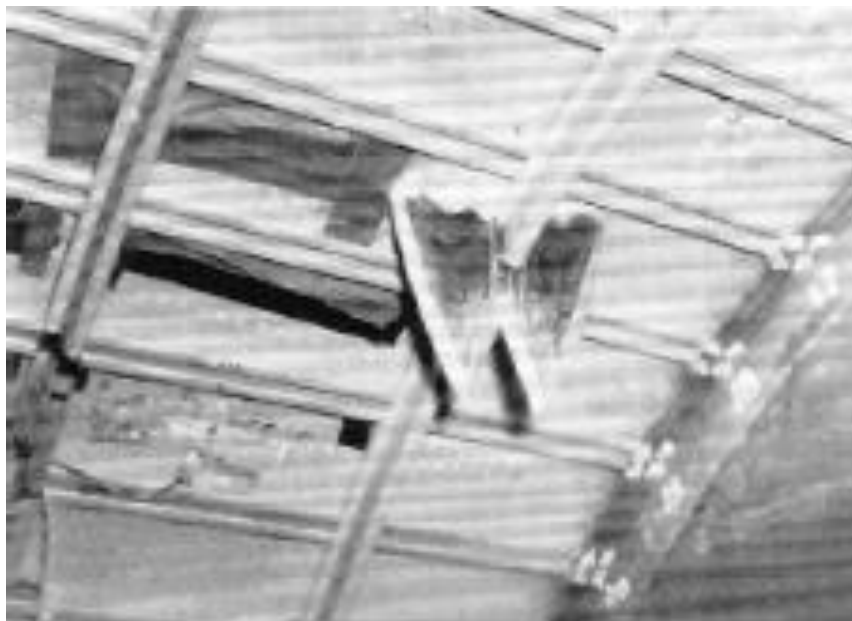


Figure K3: Boeing 737 Blade Penetration

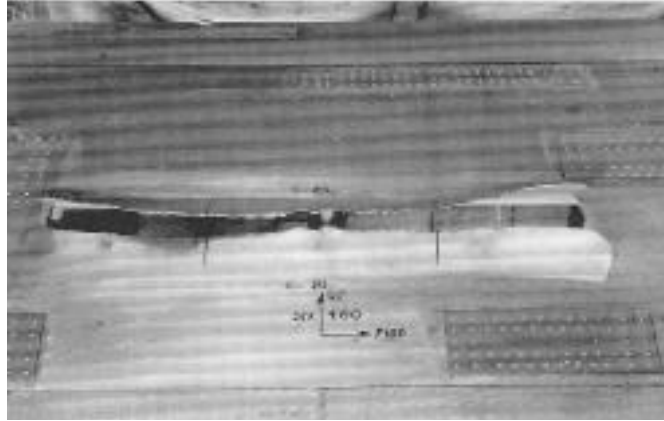


Figure K4: Arrested Two-Bay Crack with Fractured Frame in Boeing 737 Fuselage

The final crack length in this test was 40 inches when the crack turned and the skin flapped open. The applied pressure was about 16% above the normal operating pressure. This result was repeated several times at pressures up to 22% above the operating pressure.

Many additional large damage fail-safe tests have been performed on the 747, 757, 767 and 777 aircraft and are scheduled for the composite 787 design.

Like Boeing, Douglas Aircraft was developing their first high altitude jet transport (i.e., the DC-8) at the time of the Comet accidents. Also, like Boeing they embarked on development testing to ensure that their new airplane had crack arrest fail-safe capability. This development testing involved many fatigue test specimens, more than 30 large curved panel tests pressurized fatigue tests and, finally, wedge penetration tests on a full-scale pressurized fuselage, which also had inertial loads applied. A nitrogen pressure gun with a 15 inch wide blade was used to penetrate the fuselage shell and various stiffening elements. Penetrations were made at six different locations on the fuselage as shown in Figure K5 [K2].

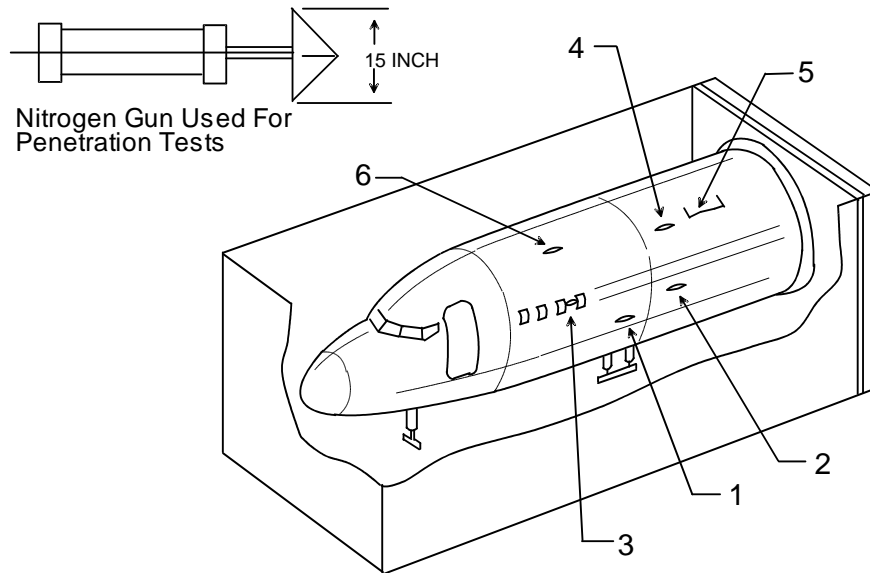


Figure K5: DC-8 Wedge Penetration Tests

In Test number 5 the 15-inch blade penetrated the skin, the circumferential frame, the longitudinal stringer and the two bay crack flapped open and the fuselage safely depressurized. This is illustrated in the sketch in Figure K6 and shown in the photograph in Figure K7.

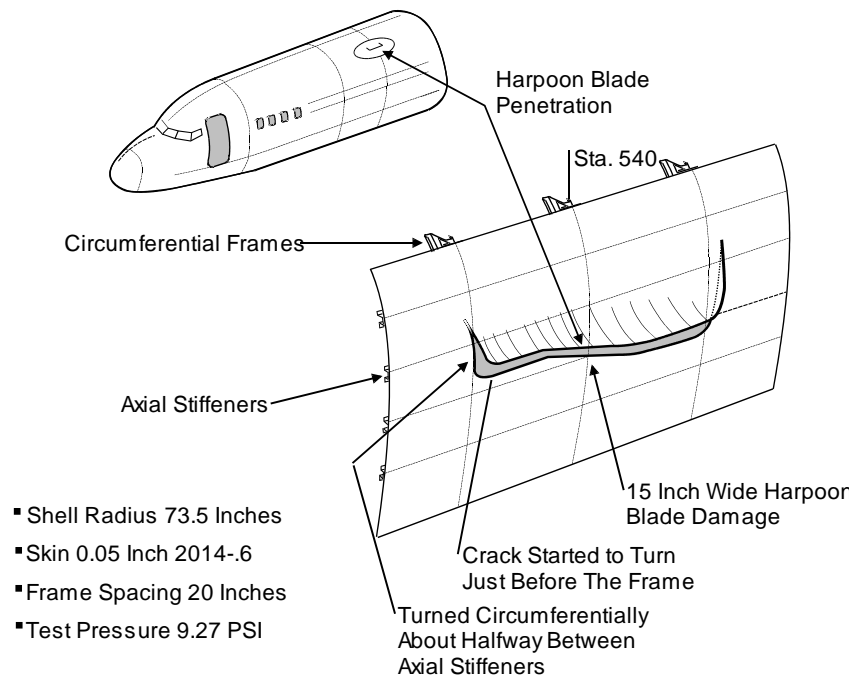


Figure K6: Details of DC-8 Arrested Fuselage Crack



Figure K7: View Inside the DC-8 Fuselage

During the development of the DC-10 during the mid to late 1960's Douglas had another extensive analysis and test effort to ensure the large damage fail-safe capability of the pressurized fuselage. The entire fuselage was analyzed, tested and certified to be able to sustain a two-bay longitudinal skin crack with both the central frame and tear strap broken. Also, it was analyzed, tested and certified to be able to sustain a two-bay circumferential crack with a broken central stiffener. Numerous developmental tests were performed to select materials, to correlate with analyses, to assess crack stoppers, and to finalize detail designs. These tests included small specimens, stiffened panels and pressurized, externally loaded small cylinders and large curved panels. Finally, large curved panels were subjected to cyclic internal pressure, external loads, large damage and static over pressure to demonstrate the fail-safe capability of the structure. A sketch of the two most important residual strength tests is shown in Figure K8 and a photograph of the curved panel vacuum fatigue test machine is shown in Figure K9.

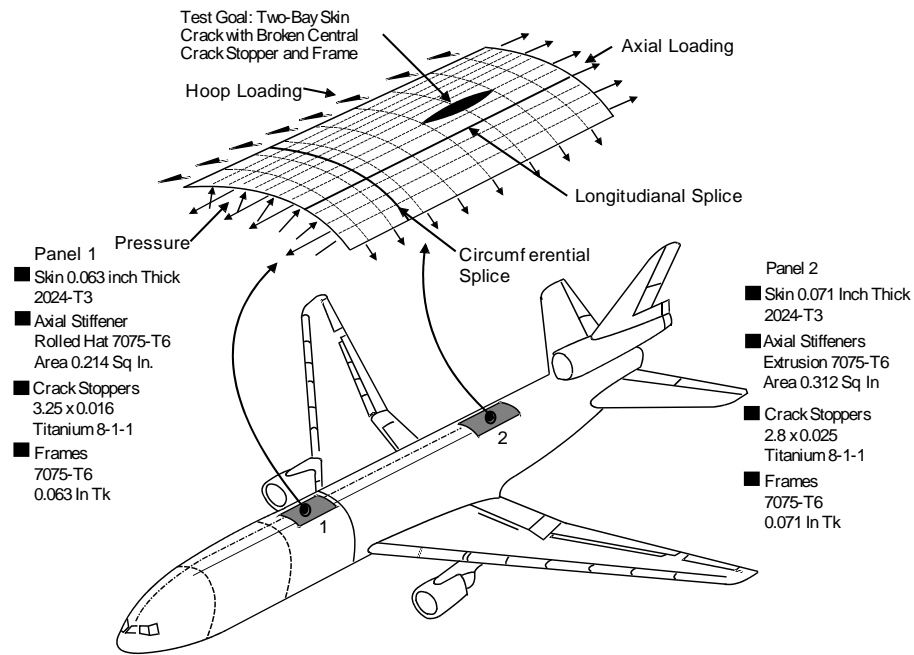


Figure K8: DC-10 Fuselage Curved Panel Tests

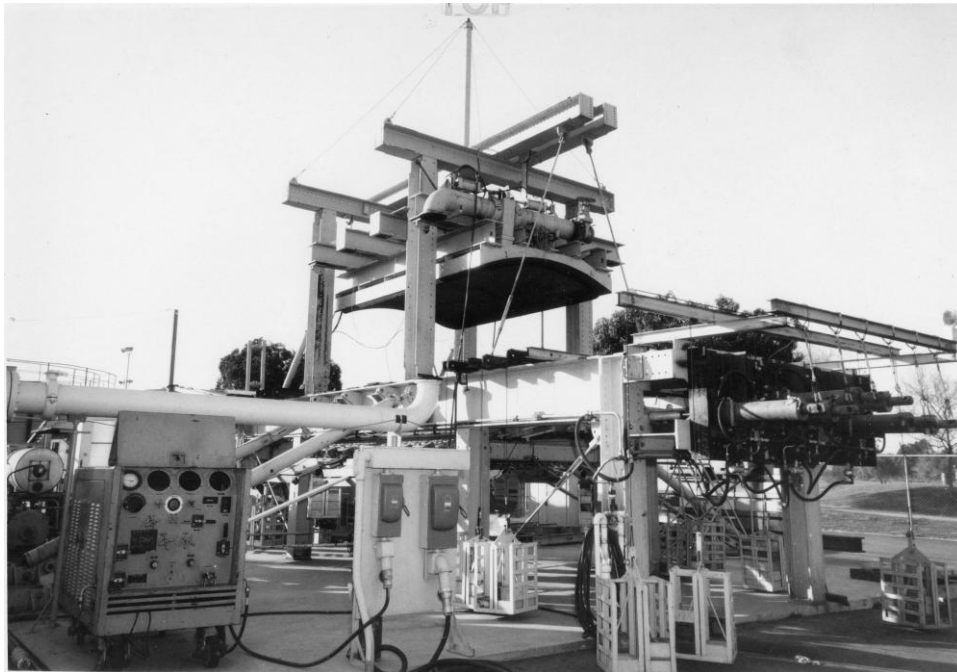


Figure K9: DC-10 Curved Panel Fatigue Test Machine

Currently fail-safe design damage sizes are specified in US manufacturer's internal structural design criteria. Some typical design sizes are:

- A completely severed frame, tear strap and the two adjacent skin bays for the fuselage.
- A completely severed stringer and adjacent skin bays for the fuselage, wing or empennage skin and stringers.
- A completely severed stringer and at least one adjacent skin bay for the wing and empennage splicing stringers.
- A completely severed frame, tear strap and adjacent bays of the fuselage longitudinal lap splices.

A number of papers on predicting the residual strength and crack arrest in pressurized fuselage structure have been published. Some examples of residual strength curves for various airplane fuselages are included in Appendix 1 of TOGAA's Final Report [K1]

APPENDIX K REFERENCES

- K1 TOGAA: The Technical Oversight Group on Aging Aircraft (TOGAA) Final Report, “The FAA’s Recent Rulemaking activity and Its Adverse Effect on Transport Airplane and Rotorcraft Structural Integrity,” 24 August 2004, Unpublished report delivered to the FAA’s Associate Administrator for Regulation and Certification, 800 Independence Ave. SW, Washington, DC 20591
- K2 Personal files of Charles Tiffany and Thomas Swift